

# Swing with Nest Seat

NRO918

**KOMPAN**  
Let's play

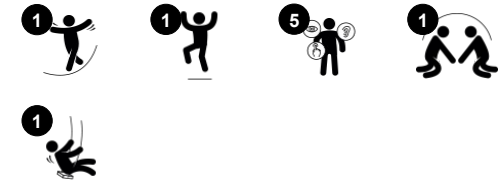


The bird's nest swing is a playground favourite, children love it! The nest swing seat can fit multiple users at once, making it a very sociable and fun experience, as well as teaching children to take it in turns and cooperate, the seat can also be used individually for a more relaxing swing. The seat caters all abilities and most ages meaning

swinging can be a common experience. Swinging trains the children's ABC: agility, balance and coordination, as well as their spatial awareness. The Bird Nest seat allows for standing sitting, lying and jumping off. All these activities support the development of arm, leg and core muscles and building bone density – the majority of which is built up during

the first years of life.

Item no. NRO918-1001	
<b>General Product Information</b>	
Dimensions LxWxH	372x246x281 cm
Age group	2+
Play capacity (users)	6
Color options	



# Swing with Nest Seat

NRO918



## Bird nest swing

**Physical:** develops balance, coordination and spatial awareness. The swinging movement trains the arm, leg and core muscles, and strengthens bone density when jumping off.

**Social-Emotional:** the spacious seat allows for many children standing, lying, seated together and is inclusive for all. **Cognitive:** cause and effect understanding, rhythm and thinking skills are developed in younger children.



# Swing with Nest Seat

NRO918



All Organic Robinia products by KOMPAN are made of Robinia wood from sustainable European sources. On request it can be supplied as FSC® Certified (FSC® C004450).



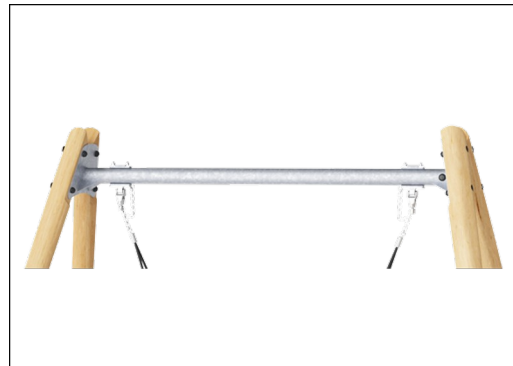
KOMPAN designed the bird's nest seats to be light in weight and in compliance with global safety standards. The soft, shock absorbent bumpers with non-slip surface makes the swing seat extremely user friendly. Choose between a rope version with reinforced PA rope or a moulded PE version. Both equipped with soft rubber bumpers.



KOMPAN heavy duty designed swing hangers of stainless steel with anti-twist function. The hangers are attached to the cross beam on a welded bracket with two bolts, The bearings are embedded with silicone lubricant and needs no further lubrication.



The Robinia wood can be supplied as untreated raw wood or painted with a brown coloured transparent pigment that maintains the golden wood colour of the wood.



The steel surfaces are hot dip galvanised inside and outside with lead free zinc. The galvanisation has excellent corrosion resistance in outside environments and requires low maintenance.



There are Multiple footing options for all products: Surface anchoring with steel footings and expansion bolts. Wood in-ground or steel in-ground footings.

Item no. NRO918-1001

## Installation Information

Max. fall height	143 cm
Safety surfacing area	17.4 m <sup>2</sup>
Total installation time	6.2
Excavation volume	1.35 m <sup>3</sup>
Concrete volume	0.35 m <sup>3</sup>
Footing depth (standard)	100 cm
Shipment weight	400 kg
Anchoring options	In-ground ✓ Surface ✓

## Warranty Information

Chains	10 years
Hot dip galvanised steel	Lifetime
Movable parts	2 years
Robinia wood	15 years
Spare parts guaranteed	10 years



# Sustainability Data

NRO918



Cradle to Gate A1-A3	Total CO <sub>2</sub> emission	CO <sub>2</sub> e/kg	Recycled materials
	kg CO <sub>2</sub> e	kg CO <sub>2</sub> e/kg	%
NRO918-1001	279.68	0.87	7.60

The overall framework applied for these factors is the Environmental Product Declaration (EPD), which quantifies "environmental information on the life cycle of a product and enable comparisons between products fulfilling the same function" (ISO, 2006). This follows the structure and applies a Life-Cycle Assessment approach to the entire Product stage from raw material through manufacturing (A1-A3))

**Kompan A/S**  
 C.F. Tietgens Boulevard 32C  
 DK-5220 Odense SØ  
 Denmark



## Verification of CO<sub>2</sub> calculation of: Nature play



Data version no. 2023-10-05

The CO<sub>2</sub> calculation and data are in compliance with the principles of a carbon footprint impact according to the GHG protocol (Greenhouse Gas Protocol), Scope 3, cradle to gate related to all individual components in the product category: "Nature play" represented by item no.: NRO409-0621.

(Scope 3 emissions include emission sources in the upstream and downstream value chain).

**Date: 30. October 2023 | Valid until: 30. October 2025**

**Verified by:**

Julie Marie Vejsgaard Larsen, LCA & EPD Consultant

Verification based on report: Validation of CO<sub>2</sub> calculation of 9 categories of Kompan product line, version 1.0, prepared by: Bureau Veritas HSE, Denmark: Julie M. V. Larsen.

**Publication date: 30. October 2023**

**By Bureau Veritas HSE**  
 www.bureauveritas.dk  
 +45 7731 1000

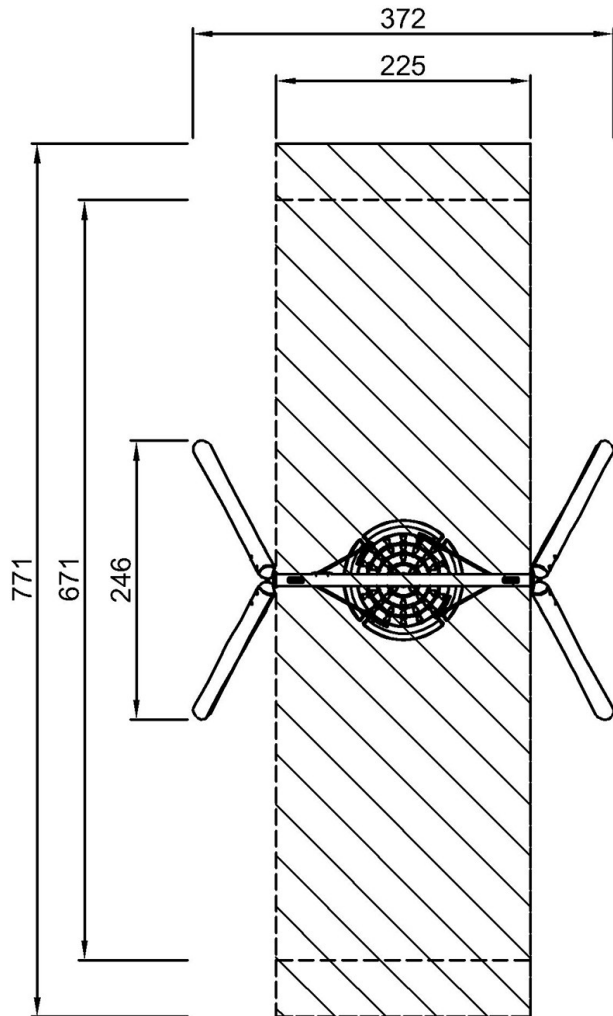


# Swing with Nest Seat

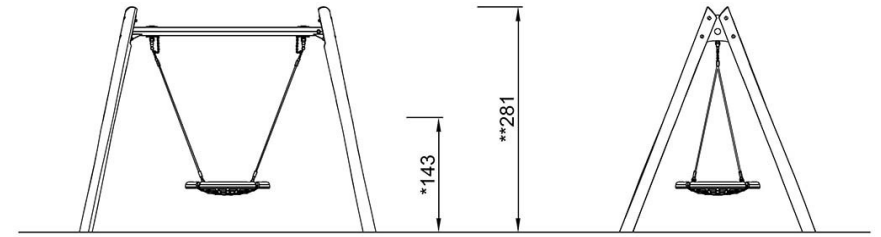
NRO918

\* Max fall height | \*\* Total height | \*\*\* Safety surfacing area

\* Max fall height | \*\* Total height



NRO918  
\*143cm  
\*\*281cm  
\*\*\*17.4m<sup>2</sup>



NRO918

[Click to see TOP VIEW](#)

[Click to see SIDE VIEW](#)