
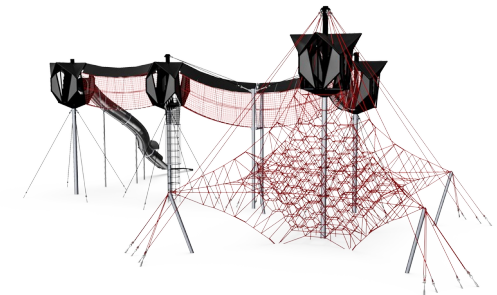
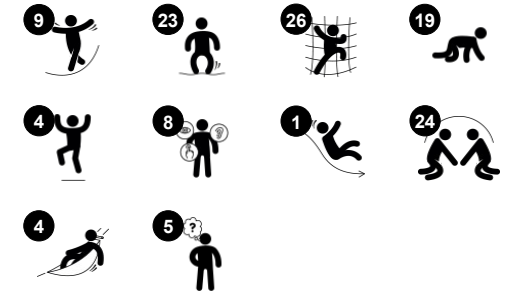


Sky Walk

COR10330



Item no. COR103301-1201	
General Product Information	
Dimensions LxWxH	2360x1249x910 cm
Age group	5+
Play capacity (users)	110
Colour options	



This stunning structure provides exciting play opportunities that will fulfill the children's sense of adventure and quest. The Sky Walk attracts children as well as parents to challenge themselves to try the many different ways they can climb and experience the excitement of the structure from above and from below. The high capacity flexible climbing net allows children to

feel the presence of their companions who are also climbing. The structure allows children to participate from different entry points. This supports social and emotional development and strengthens community bonds. Children learn how to take turns and help each other as they are climbing and especially when traversing the Sky Walk. The carefully

designed structure supports empathy along with inspiring vigorous play.

Sky Walk

COR10330



Sky cabin

Physical: being up high develops spatial awareness and sense of balance. **Social-Emotional:** a destination and meeting point up high adds social interaction as well as a thrill with great views.



Access tunnel net

Physical: the children have a fast, efficient access up the horizontal net. Cross coordination and sense of space is supported, as well as arm and leg muscles. **Social-Emotional:** the two-sided net on lower level allows for social interaction. The spaciousness invites socialising.



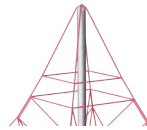
Sky bridge

Physical: being up high and the bounce of the ropes develop the sense of space and balance, which is fundamental in navigating the world securely. **Social-Emotional:** children develop courage, self-confidence, consideration and turn-taking. Passing other children takes co-operation and teaches turn-taking skills.



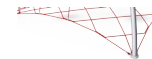
Long tube slide

Physical: sliding develops spatial awareness and the sense of balance. **Social-Emotional:** height ensures extra speed and thrill. Stimulates empathy by turn-taking and consideration of others.



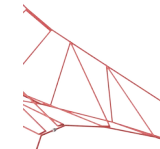
Highest rungs

Physical: spatial awareness is supported, arm muscles when holding tight. **Social-Emotional:** children develop courage, self-confidence, consideration and turn-taking, all important life skills.



Sturdy, lower rungs

Physical: the stiff bounce of the lower rung supports balance and coordination as well as strengthens bone density when jumping down. **Social-Emotional:** great meeting point allowing socialising.



Bouncy net meshes

Physical: agility, balance and coordination as well as spatial awareness are supported when bouncing, climbing and sitting in the net. **Social-Emotional:** the bouncing, swaying net appeals to empathy and cooperation. **Cognitive:** physical memory, logical thinking, concentration.

Sky Walk

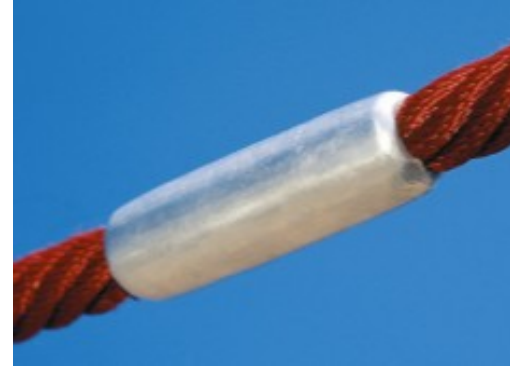
COR10330



Corocord ropes with 19mm+ diameter are known as a 'Hercules' rope type which is formed from galvanised six-stranded steel wires. Each strand is tightly wrapped with PES yarn, which is melted onto each individual strand. Ropes are highly wear-and vandalism-resistant and can be easily replaced on-site if needed.



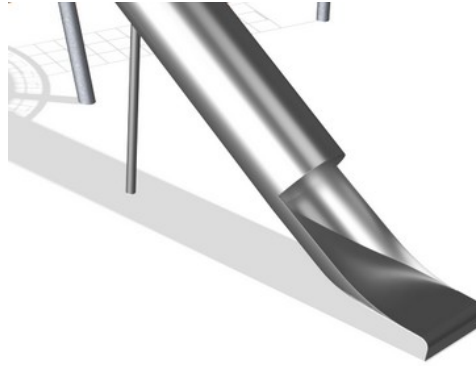
Designed to allow the typical function of rope play structures to move Corocord 'S' clamps are used as universal connections in Corocord products. 8mm stainless steel rods with rounded edges are pressed around the ropes with a special hydraulic press, making them the ideal connector. Our clamps are safe, durable and vandalism-proof.



The aluminium swages of the net are double conical with rounded ends and are as small as safety allows. The overall net design aims at keeping metal parts within the net to an absolute minimum, both in size and number, to provide the best possible rope climbing experience.



Corocord membranes consist of friction-proof rubberised material of conveyor belt quality with excellent UV resistance. Tested and compliant with REACH requirements for PAH. Embedded is a four-layered armoring made of woven polyester. The armoring and the two surface layers result in a total thickness of 7.5 mm.



The stainless steel components are made of high-quality stainless steel in compliance with global playground standards. The steel is glass blasted after manufacturing to ensure a smooth gliding surface.



You can choose between seven rope colours to create a customised solution for your playscape. Colours options range from elegant and expressive black or natural and toned-down hemp colour to attractive and eye-catching signal colours.

Item no. COR103301-1201

Installation Information

Max. fall height	260 cm
Safety surfacing area	219.8 m ²
Total installation time	228.8
Excavation volume	64.54 m ³
Concrete volume	40.53 m ³
Footing depth (standard)	120 cm
Shipment weight	9,325 kg
Anchoring options	In-ground ✓

Warranty Information

Aluminium Clamps	10 years
Corocord (Hercules) Rope	10 years
Membrane	2 years
S-Clamps	10 years
Spare Parts Guarantee	10 years

AS
4685
compliant

Sustainability Data

COR10330



Cradle to Gate A1-A3	Total CO ₂ emission	CO ₂ e/kg	Recycled materials
	kg CO ₂ e	kg CO ₂ e/kg	%
COR103301-1201	0.00	0.00	0.00

The overall framework applied for these factors is the Environmental Product Declaration (EPD), which quantifies "environmental information on the life cycle of a product and enable comparisons between products fulfilling the same function" (ISO, 2006). This follows the structure and applies a Life-Cycle Assessment approach to the entire Product stage from raw material through manufacturing (A1-A3))

Kompan A/S
 C.F. Tietgens Boulevard 32C
 DK-5220 Odense SØ
 Denmark



Verification of CO₂ calculation of: Corocord



Data version no. 2023-10-05

The CO₂ calculation and data are in compliance with the principles of a carbon footprint impact according to the GHG protocol (Greenhouse Gas Protocol), Scope 3, cradle to gate related to all individual components in the product category: "Corocord" represented by item no.: COR314011-1101.

(Scope 3 emissions include emission sources in the upstream and downstream value chain).

Date: 30. October 2023 | Valid until: 30. October 2025

Verified by:

Julie Marie Vejsgaard Larsen, LCA & EPD Consultant

Verification based on report: Validation of CO₂ calculation of 9 categories of Kompan product line, version 1.0, prepared by: Bureau Veritas HSE, Denmark: Julie M. V. Larsen.

Publication date: 30. October 2023

By Bureau Veritas HSE
 www.bureauveritas.dk
 +45 7731 1000

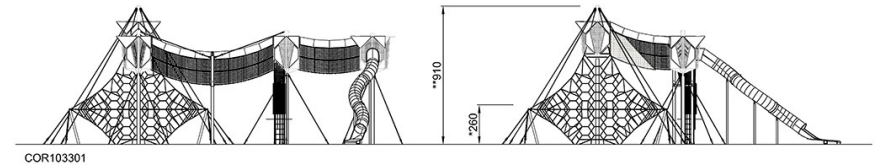
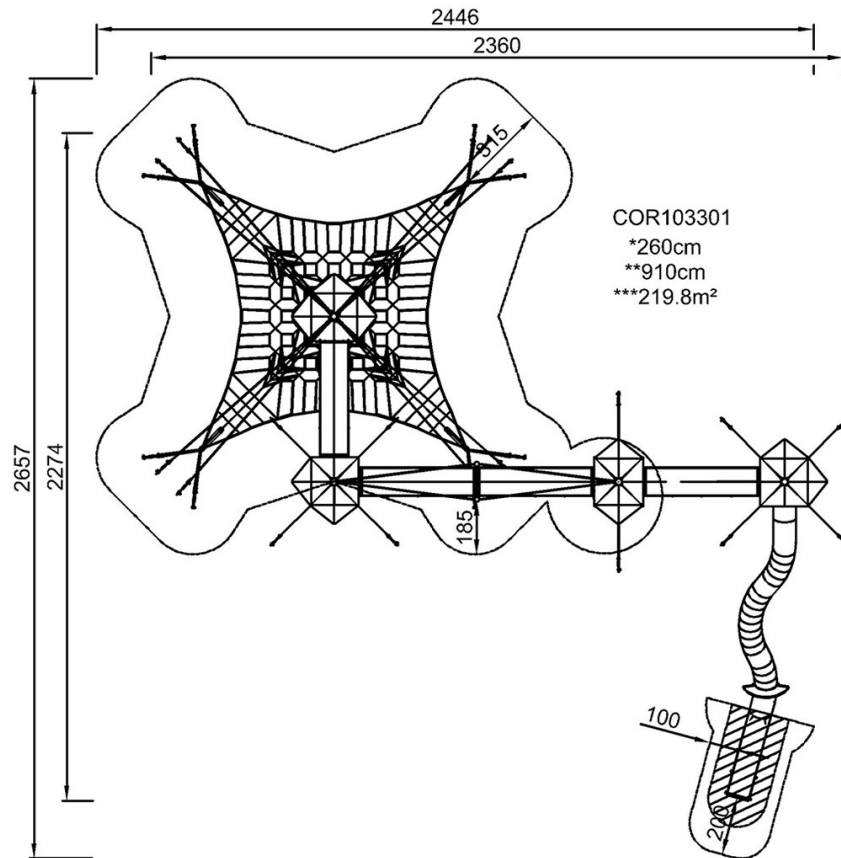


Sky Walk

COR10330

* Max fall height | ** Total height | *** Safety surfacing area

* Max fall height | ** Total height



[Click to see TOP VIEW](#)

[Click to see SIDE VIEW](#)