
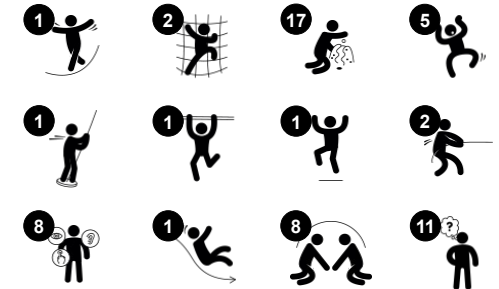


# Little Mermaid & Ugly Duckling

MSC6429



Item no. MSC642900-3717P	
General Product Information	
Dimensions LxWxH	354x408x369 cm
Age group	2+
Play capacity (users)	21
Color options	



The highly appealing fairytale themes of The Ugly Duckling and the Little Mermaid get noticed by children and adults. The QR-codes give free access to a whole fairytale world with e-books and educational games in 16 languages. The awesome variety of play events for the mind and body attract children to play and explore, again and again. The

fairytale manipulatives inspire dramatic play, which is a great training of language skills. These play features also train logical thinking skills when children figure out their function. All these elements can be worked from both sides of the panels, spurring social interaction and adding play capacity. The wide variety of climbing, sliding, and jumping activities train

basic motor skills which are important for navigating the world securely. So, an awesome play experience full of play benefits.



# Little Mermaid & Ugly Duckling

MSC6429



Panels of 19mm EcoCore™. EcoCore™ is a highly durable, eco friendly material, which is not only recyclable after use, but also consists of material produced from +95% recycled post consumer material from food packing waste.



All floors are made of High-Pressure Laminate HPL with a thickness 17.8mm and non skid surface texture according to EN 438-6. KOMPAN HPL has high wearing strength to ensure long lifetime in all climates.



Curved climbing wall is made of Ekogrip® panel that consist of a 15mm thick PE base with 3 mm top-layer of soft rubber with a non-skid effect.

Item no. MSC642900-3717P

## Installation Information

Max. fall height	133 cm
Safety surfacing area	31.9 m <sup>2</sup>
Total installation time	30.5
Excavation volume	0.83 m <sup>3</sup>
Concrete volume	0.00 m <sup>3</sup>
Footing depth (standard)	90 cm
Shipment weight	826 kg
Anchoring options	In-ground ✓ Surface ✓



The slides can be chosen in different materials: Straight moulded PE slides or combined EcoCore™ sides and stainless steel slide bed t=2mm.



Ropes are made of UV-stabilised PA with inner steel cable reinforcement. The rope is induction treated in order to create a strong connection between steel and rope which leads to good wear resistance.

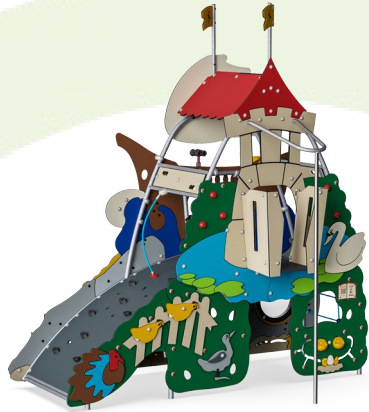


The steel surfaces are hot dip galvanised inside and outside with lead free zinc. The galvanisation has excellent corrosion resistance in outside environments and requires low maintenance.



# Sustainability Data

MSC6429



Cradle to Gate A1-A3	Total CO <sub>2</sub> emission	CO <sub>2</sub> e/kg	Recycled materials
	kg CO <sub>2</sub> e	kg CO <sub>2</sub> e/kg	%
<b>MSC642900-3717P</b>	1,321.40	1.99	62.90

The overall framework applied for these factors is the Environmental Product Declaration (EPD), which quantifies "environmental information on the life cycle of a product and enable comparisons between products fulfilling the same function" (ISO, 2006). This follows the structure and applies a Life-Cycle Assessment approach to the entire Product stage from raw material through manufacturing (A1-A3))

**Kompan A/S**  
 C.F. Tietgens Boulevard 32C  
 DK-5220 Odense SØ  
 Denmark



## Verification of CO<sub>2</sub> calculation of: Themed play systems



Data version no. 2023-10-05

The CO<sub>2</sub> calculation and data are in compliance with the principles of a carbon footprint impact according to the GHG protocol (Greenhouse Gas Protocol), Scope 3, cradle to gate related to all individual components in the product category: "Themed play systems" represented by item no.: MSC641100-3717P.

(Scope 3 emissions include emission sources in the upstream and downstream value chain).

**Date: 30. October 2023 | Valid until: 30. October 2025**

Verified by:

Julie Marie Vejsgaard Larsen, LCA & EPD Consultant

Verification based on report: Validation of CO<sub>2</sub> calculation of 9 categories of Kompan product line, version 1.0, prepared by: Bureau Veritas HSE, Denmark: Julie M. V. Larsen.

**Publication date: 30. October 2023**

By Bureau Veritas HSE  
 www.bureauveritas.dk  
 +45 7731 1000

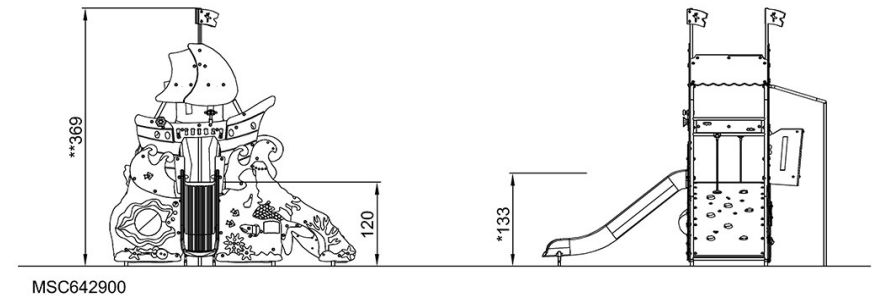
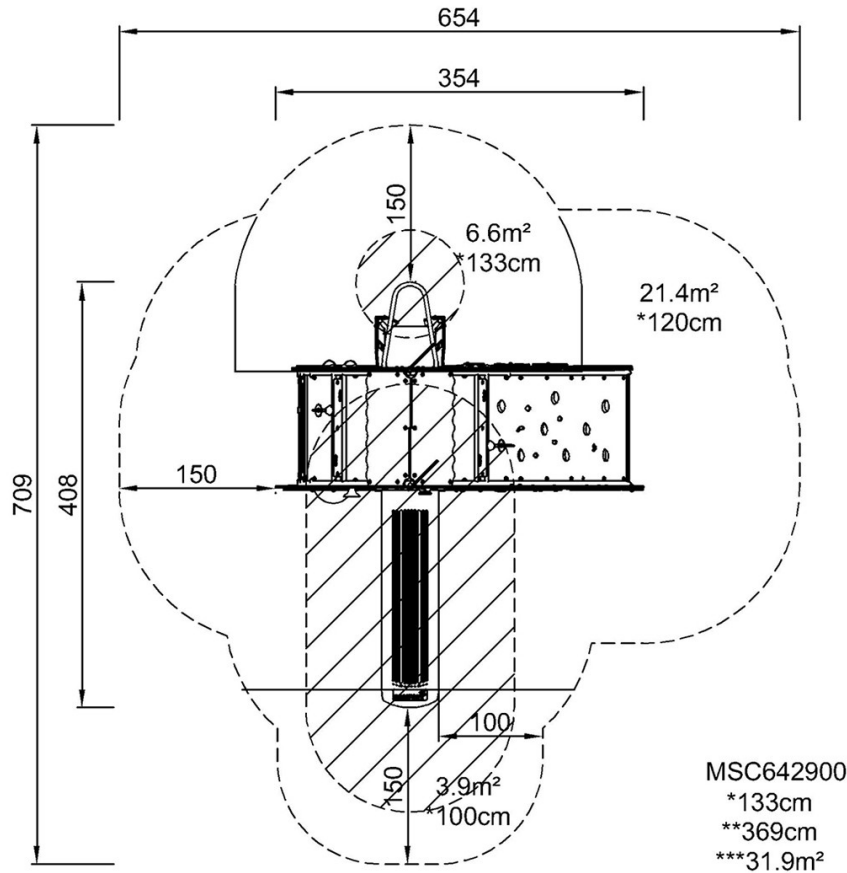


# Little Mermaid & Ugly Duckling

MSC6429

\* Max fall height | \*\* Total height | \*\*\* Safety surfacing area

\* Max fall height | \*\* Total height



[Click to see TOP VIEW](#)

[Click to see SIDE VIEW](#)