



Sitting Pole

NRO209



Item no. NRO209-0601	
General Product Information	
Dimensions LxWxH	16x16x30 cm
Age group	1+
Play capacity (users)	1
Color options	 

Product is available as FSC® Certified (FSC® C004450) robinia wood on request.



Sitting Pole

NRO209



Pole seats

Physical: balancing and jumping from one seat to the next trains balance, proprioception and builds bone density. **Social-Emotional:** sharing, listening when having a break.



Sitting Pole

NRO209



All Organic Robinia products by KOMPAN are made of Robinia wood from sustainable European sources. On request it can be supplied as FSC® Certified (FSC® C004450).

Item no. NRO209-0601	
Installation Information	
Max. fall height	30 cm
Safety surfacing area	7.8 m ²
Total installation time	0.9
Excavation volume	0.04 m ³
Concrete volume	0.00 m ³
Footing depth (standard)	60 cm
Shipment weight	17 kg
Anchoring options	In-ground ✓ Surface ✓
Warranty Information	
Robinia wood	15 years
Spare parts guaranteed	10 years



Sustainability Data

NRO209



Cradle to Gate A1-A3	Total CO ₂ emission	CO ₂ e/kg	Recycled materials
	kg CO ₂ e	kg CO ₂ e/kg	%
NRO209-0601	2.00	0.15	0.23

The overall framework applied for these factors is the Environmental Product Declaration (EPD), which quantifies "environmental information on the life cycle of a product and enable comparisons between products fulfilling the same function" (ISO, 2006). This follows the structure and applies a Life-Cycle Assessment approach to the entire Product stage from raw material through manufacturing (A1-A3))

Kompan A/S
 C.F. Tietgens Boulevard 32C
 DK-5220 Odense SØ
 Denmark



Verification of CO₂ calculation of: Nature play



Data version no. 2023-10-05

The CO₂ calculation and data are in compliance with the principles of a carbon footprint impact according to the GHG protocol (Greenhouse Gas Protocol), Scope 3, cradle to gate related to all individual components in the product category: "Nature play" represented by item no.: NRO409-0621.

(Scope 3 emissions include emission sources in the upstream and downstream value chain).

Date: 30. October 2023 | Valid until: 30. October 2025

Verified by:

Julie Marie Vejsgaard Larsen, LCA & EPD Consultant

Verification based on report: Validation of CO₂ calculation of 9 categories of Kompan product line, version 1.0, prepared by: Bureau Veritas HSE, Denmark: Julie M. V. Larsen.

Publication date: 30. October 2023

By Bureau Veritas HSE
 www.bureauveritas.dk
 +45 7731 1000

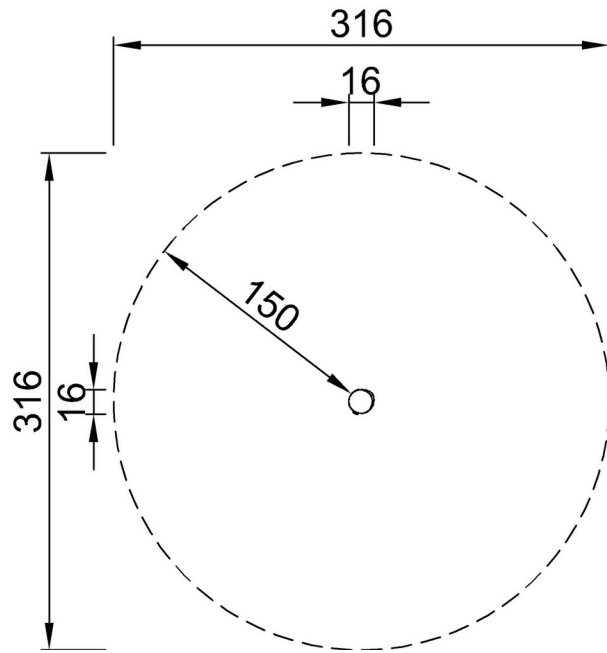


Sitting Pole

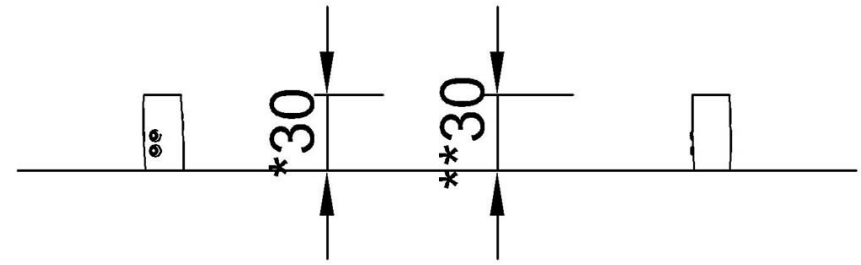
NRO209

* Max fall height | ** Total height | *** Safety surfacing area

* Max fall height | ** Total height



NRO209
*30cm
**30cm
***7.8m²



NRO209

[Click to see TOP VIEW](#)

[Click to see SIDE VIEW](#)