

# Playhut with Side & Desks

NRO411

**KOMPAN**  
Let's play



Item no. NRO411-1021

## General Product Information

Dimensions LxWxH	180x163x158 cm
Age group	1+
Play capacity (users)	8
Colour options	 



This simple hut invites younger children who want to learn and play. The openness allows for a flow of children in and around the space, which is great for 'chasing' and other social activities. Imagination is developed with the simple design, as the hut provides numerous options for inventiveness. The natural Robinia timber provides an organic structure, that can

either blend into or stand out from your surrounds. Children can touch and feel the timber, observing how nature inspiration interacts with the built environment. This hut can also be placed close to other structures due to its ground level play.



# Playhut with Side & Desks

NRO411



## Theme

**Cognitive:** suggests a theme and supports dramatic play, which stimulates language and communication skills.



## Bench

**Social-Emotional:** invites socializing and cooperation. Allows for a break with friends.



## Desk

**Social-Emotional:** great meeting place and space creator for storing or sitting.

# Playhut with Side & Desks

NRO411



All organic Robinia products by KOMPAN are made of Robinia wood which is sourced from sustainable plantation farms. On request it can be supplied as FSC® Certified (FSC® C004450).



The product/activities are preassembled from the factory to ensure all safety requirements are considered.



The paint used for coloured components is water based, which is environmentally friendly and has excellent UV resistance. The paint complies with Australian Standards.

Item no. NRO411-1021	
Installation Information	
Max. fall height	0 cm
Safety surfacing area	17.1 m <sup>2</sup>
Total installation time	5.6
Excavation volume	0.63 m <sup>3</sup>
Concrete volume	0.00 m <sup>3</sup>
Footing depth (standard)	100 cm
Shipment weight	263 kg
Anchoring options	In-ground ✓
Warranty Information	
EcoCore HDPE	Lifetime
Galvanised Steel	Lifetime
Robinia Wood	15 years
Spare Parts Guarantee	10 years
Stainless Steel Components	Lifetime



The playhouses are available with either, a floor on the inside of the house or, with a floor on the outside which creates a porch.



There are multiple footing options for all products: Surface anchoring with steel footings and expansion bolts, or wood in-ground or steel in-ground footings.



Robinia products are available in three different wood treatment options; untreated Robinia wood or brown painted with a pigment that maintains the wood colour and coloured version with paint of selected components.



# Sustainability Data

NRO411



Cradle to Gate A1-A3	Total CO <sub>2</sub> emission	CO <sub>2</sub> e/kg	Recycled materials
	kg CO <sub>2</sub> e	kg CO <sub>2</sub> e/kg	%
<b>NRO411-1021</b>	39.59	0.19	1.12

The overall framework applied for these factors is the Environmental Product Declaration (EPD), which quantifies "environmental information on the life cycle of a product and enable comparisons between products fulfilling the same function" (ISO, 2006). This follows the structure and applies a Life-Cycle Assessment approach to the entire Product stage from raw material through manufacturing (A1-A3))

**Kompan A/S**  
 C.F. Tietgens Boulevard 32C  
 DK-5220 Odense SØ  
 Denmark



## Verification of CO<sub>2</sub> calculation of: Nature play



Data version no. 2023-10-05

The CO<sub>2</sub> calculation and data are in compliance with the principles of a carbon footprint impact according to the GHG protocol (Greenhouse Gas Protocol), Scope 3, cradle to gate related to all individual components in the product category: "Nature play" represented by item no.: NRO409-0621.

(Scope 3 emissions include emission sources in the upstream and downstream value chain).

**Date: 30. October 2023 | Valid until: 30. October 2025**

**Verified by:**

Julie Marie Vejsgaard Larsen, LCA & EPD Consultant

Verification based on report: Validation of CO<sub>2</sub> calculation of 9 categories of Kompan product line, version 1.0, prepared by: Bureau Veritas HSE, Denmark: Julie M. V. Larsen.

**Publication date: 30. October 2023**

**By Bureau Veritas HSE**  
 www.bureauveritas.dk  
 +45 7731 1000

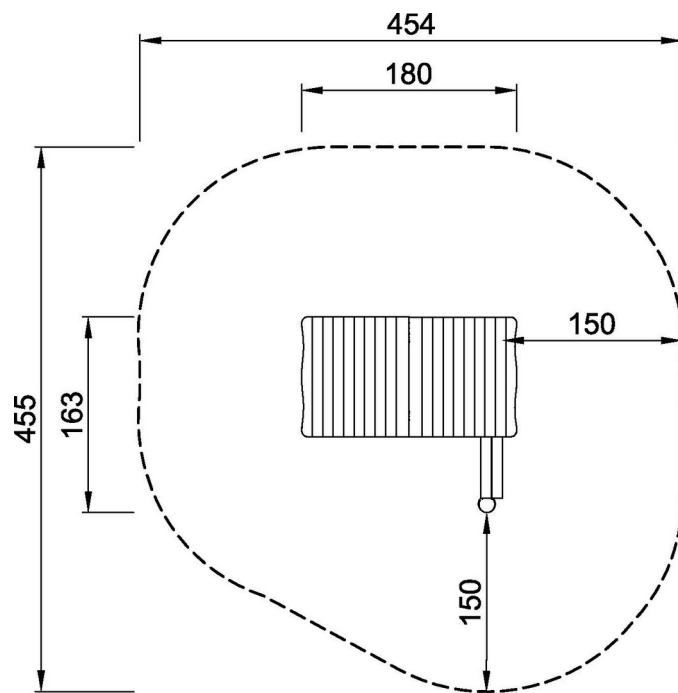


# Playhut with Side & Desks

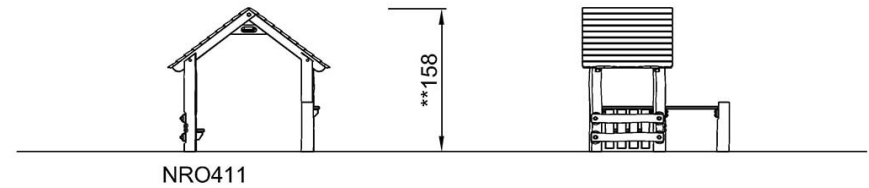
NRO411

\* Max fall height | \*\* Total height | \*\*\* Safety surfacing area

\* Max fall height | \*\* Total height



NRO411  
\*\*158cm  
\*\*\*17.1m<sup>2</sup>



[Click to see TOP VIEW](#)

[Click to see SIDE VIEW](#)