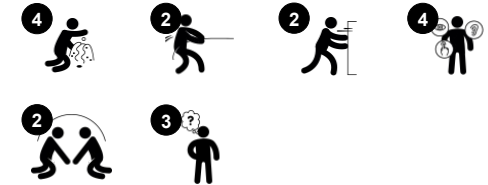


Play Panel High - Creative

NRO617



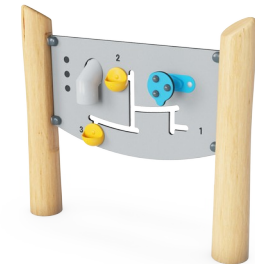
Item no. NRO617-1001	
General Product Information	
Dimensions LxWxH	131x28x114 cm
Age group	2 - 12
Play capacity (users)	4
Colour options	



Wow! The children can't keep their hands off the Manipulative Play Panel. The variation of responsive play elements inspires exploration. The wide panel and the fact that all items on one side are connected to action on the other side support cause and effect understanding as well as cooperation and turn-taking in social play. The feedback to the child's actions is

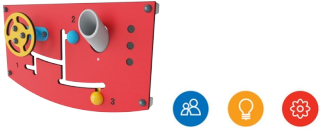
important to logical thinking: The steering wheel moves another wheel. The play spheres with numbers move play shovels on the other side. The funnel turns up on one side, and down on the other. This invites toddlers and children to run items or sand through, a favourite pastime which stimulates object permanence understanding that items and

persons don't cease to exist when out of sight. The shovels can be placed to catch and transport sand in creative play. The play panel is high to make it inclusive of more ages and abilities.



Play Panel High - Creative

NRO617

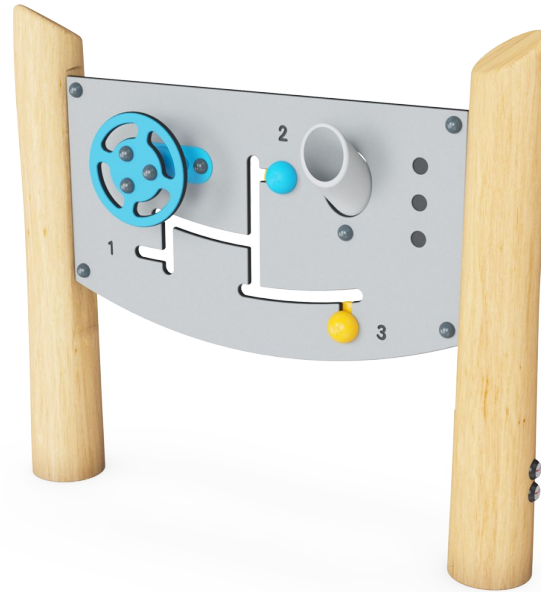


Gearshift and tube panel

Social-Emotional: spurs group play and conversations with its two-sidedness.

Cognitive: supports dramatic play, which stimulates language skills. Communication skills when explaining functionalities. The passing of materials through funnels supports the children's logical thinking and the understanding of object permanence.

Creative: changing the position of the gear, leaving your mark.



Play Panel High - Creative

NRO617



All Organic Robinia products by KOMPAN are made of Robinia wood from sustainable European sources. On request it can be supplied as FSC® Certified (FSC® C004450).

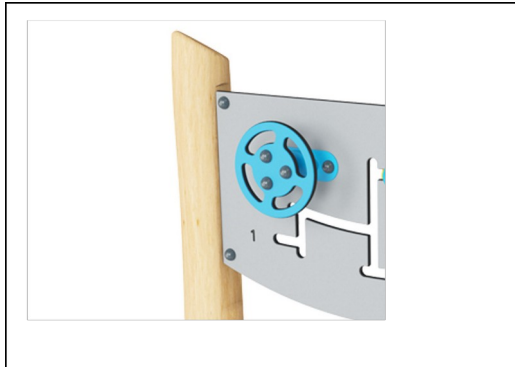


The Robinia wood can be supplied as untreated raw wood or painted with a brown coloured transparent pigment that maintains the golden wood colour of the wood.



There are Multiple footing options for all products: Surface anchoring with steel footings and expansion bolts. Wood in-ground or steel in-ground footings.

Item no. NRO617-1001	
Installation Information	
Max. fall height	0 cm
Safety surfacing area	0.0 m ²
Total installation time	3.3
Excavation volume	0.25 m ³
Concrete volume	0.00 m ³
Footing depth (standard)	100 cm
Shipment weight	97 kg
Anchoring options	In-ground ✓
Warranty Information	
EcoCore HDPE	Lifetime
Movable parts	2 years
Robinia wood	15 years
Spare parts guaranteed	10 years



Panels of 19mm EcoCore™ HDPE. EcoCore™ is a highly durable, eco friendly material, which is not only recyclable after use, but also consists of material produced from +95% recycled post consumer material from food packing waste.

Elevated activities	Accessible elevated activities	Accessible ground level activities	Accessible ground level play types
Present			
Required			

CSA
Z614
compliant

Sustainability Data

NRO617



Cradle to Gate A1-A3	Total CO₂ emission	CO₂e/kg	Recycled materials
	kg CO ₂ e	kg CO ₂ e/kg	%
NRO617-1001	31.49	0.45	15.20

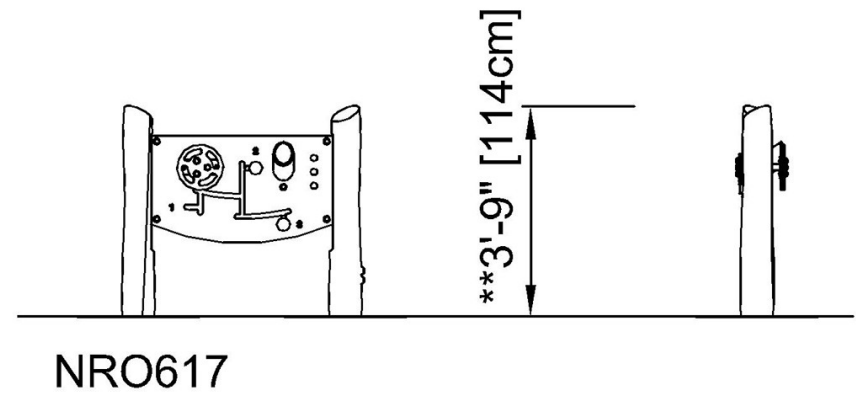
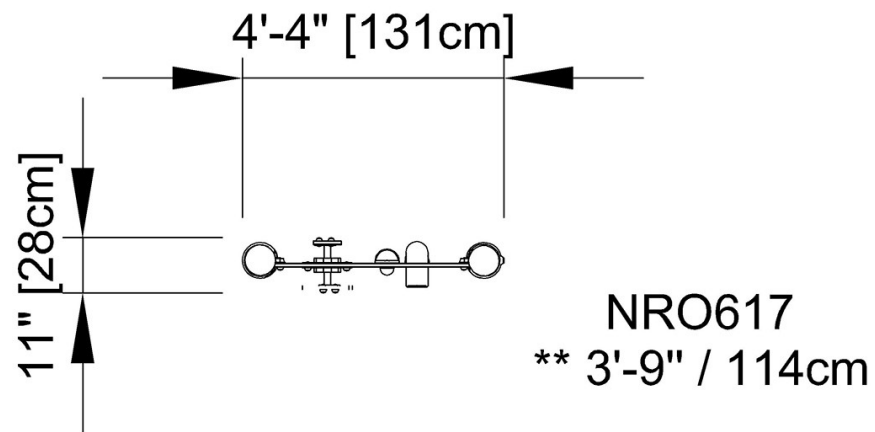
The overall framework applied for these factors is the Environmental Product Declaration (EPD), which quantifies "environmental information on the life cycle of a product and enable comparisons between products fulfilling the same function" (ISO, 2006). This follows the structure and applies a Life-Cycle Assessment approach to the entire Product stage from raw material through manufacturing (A1-A3))

Play Panel High - Creative

NRO617

* Max fall height | ** Total height | *** Safety surfacing area

* Max fall height | ** Total height



[Click to see TOP VIEW](#)

[Click to see SIDE VIEW](#)