

包容性双人胸部推举机

FSW244

KOMPAN
Let's play



产品编号 FSW24400-0902

产品信息概览

长宽高尺寸	81x107x191 cm
适用年龄段	13+
容纳人数	2
颜色选择	

包容性双人胸部推举机是为身体残障人士设计的，旨在提供无障碍的体育锻炼机会。一侧设计了足够的空间，以便轮椅使用者可以直接从轮椅上进行胸部压力锻炼，或者进行水平划向相反方向的锻炼。座位一侧提供了低阻力的肌肉训练，无需设置负荷或位置。该产品的设计允许两人一起锻炼。



包容性双人胸部推举机

FSW244



The Steel posts are made of Ø101,6x2,0mm pre-galvanized steel tube. The posts are powder coated, corrosion class C3 according to ISO12944-2.



The chest press is wheelchair accessible and all individuals with a minimum height of 140cm will be able to use the product without compromising their normal posture.



The resistance is controlled by heavy duty scaled ROSTA torsion spring element. The ROSTA element works without any noise and are maintenance free. The ROSTA element allows the user to both push and pull depending on the desired exercise.

产品编号 FSW24400-0902

安装信息

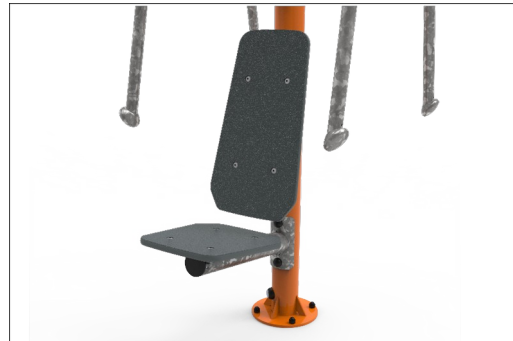
最大跌落高度	45 cm
安全面积	13.6 m ²
安装总时长	3.3
开挖量	0.06 m ³
混凝土使用量	0.04 m ³
标准入地深度	90 cm
运输重量	128 kg
固定选项	入地 ✓ 地表 ✓

质保信息

镀锌钢结构	终身质保
PE/PP 部件	5 年
ROSTA 元素	2 年
承保零部件	10 年
镀锌钢框架	10 年



The product must feature an information sign with related exercises, and each exercise must feature a QR code linking to its related exercise portal in an app that offers support on the specific exercise. The sign must additionally offer a QR code for downloading the app.



座椅由 Ekogrip® 面板制成，包括 15 毫米厚的 PE 底座和 3 毫米柔软橡胶顶层，具有防滑效果。



The handle knobs are made of S235 hot-dip galvanized steel according to KS0106 and a grip diameter of 77,3mm. The grips provide safety and an ergonomic experience when using the machine.

EN
16630
compliant

Sustainability Data

FSW244



从原材料到成品

CO₂ 排放总量

kg CO₂e

CO₂ 排放量 / 千克

kg CO₂e/kg

回收的原料

%

FSW24400-0902

233.26

2.70

46.68

这些因素采用的总体框架为环保产品声明 (EPD), 该声明可量化“产品生命周期的环保信息, 并对相同功能的产品进行对比”(ISO, 2006)。在遵循该框架的同时, 对从原材料到制造的整个产品阶段 (A1-A3) 应用生命周期评估法。

Kompan A/S

C.F. Tietgens Boulevard 32C
DK-5220 Odense SØ
Denmark

Validation of CO₂ calculation method
BUREAU VERITAS
HSE Denmark A/S



Verification of CO₂ calculation of: Fitness



Data version no. 2023-10-05

The CO₂ calculation and data are in compliance with the principles of a carbon footprint impact according to the GHG protocol (Greenhouse Gas Protocol), Scope 3, cradle to gate related to all individual components in the product category: "Fitness" represented by item no.: FAZ10100-0900.

(Scope 3 emissions include emission sources in the upstream and downstream value chain).

Date: 30. October 2023 | Valid until: 30. October 2025

Verified by:

Julie Marie Vejsgaard Larsen, LCA & EPD Consultant

Verification based on report: Validation of CO₂ calculation of 9 categories of Kompan product line, version 1.0, prepared by: Bureau Veritas HSE, Denmark: Julie M. V. Larsen.

Publication date: 30. October 2023

By Bureau Veritas HSE
www.bureauveritas.dk
+45 7731 1000

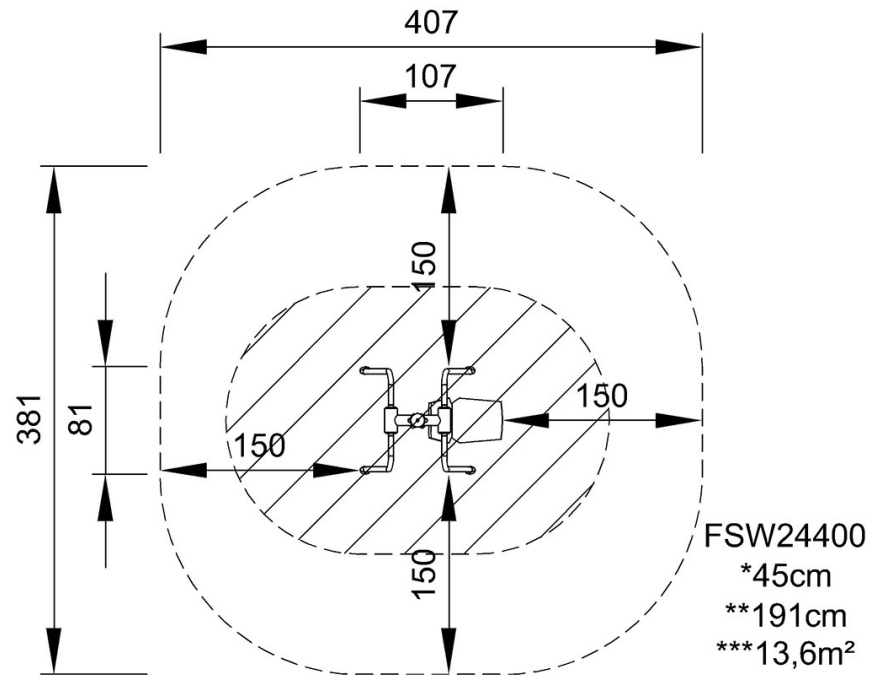


包容性双人胸部推举机

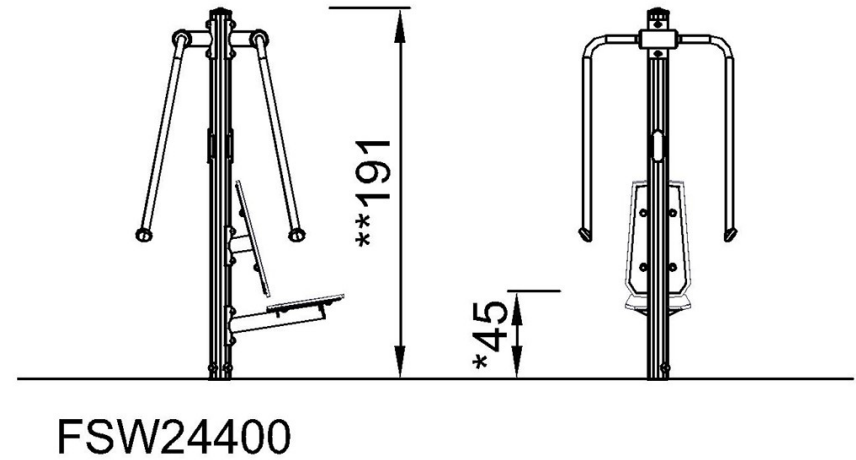
FSW244

最大跌落高度 | 总高度 | 安全区域

最大跌落高度 | 总高度



[点击查看俯视图](#)



[点击查看侧面图](#)