


# Water Tap Podium

NRO507



Item no. NRO507-0601

## General Product Information

Dimensions LxWxH	2'4"x2'4"x0'7"
Age group	2 - 5
Play capacity (users)	2
Color options	 



The Water Tap Podium eases access to tap water or reaching basins for the youngest or smallest users. Additionally, the Water Tap Podium makes for a fine rest point or a meeting point for children playing with the sand and water items. Adding resting points and podiums to playgrounds often add just the right inclusive element needed to cater for meeting and

exchanging while facilitating usability for even the youngest children. Additionally, it adds a meeting point for care givers or parents who can casually or actively follow the play of the children seated on the Water Tap Podium.

# Water Tap Podium

NRO507



## Lower platform

**Physical:** climbing up, jumping down develops muscle and motor skills such as coordination, which are important in navigating your body securely through the world. **Social-Emotional:** children can sit and talk together. The step helps children who need extra height to maneuver the tap and water channel.



# Water Tap Podium

NRO507



All Organic Robinia products by KOMPAN are made of Robinia wood from sustainable European sources. On request it can be supplied as FSC® Certified (FSC® C004450).

Robinia products are available in three different wood treatment options: Untreated Robinia wood or brown painted with a pigment that maintains the wood color and colored version with paint of selected components.

Item no. NRO507-0601	
Installation Information	
Max. fall height	0'7"
Safety surfacing area	172ft <sup>2</sup>
Total installation time	2.0
Excavation volume	0.1yd <sup>3</sup>
Concrete volume	0yd <sup>3</sup>
Footing depth (standard)	2'0"
Shipment weight	138lbs
Anchoring options	In-ground ✓ Surface ✓
Warranty Information	
Robinia Wood	10 Years
Spare Parts Availability	10 Years

Elevated activities 0	Accessible elevated activities	Accessible ground level activities	Accessible ground level play types
Present	0	1	1
Required	0	1	1

**ASTM  
F1487**  
compliant

# Sustainability Data

NRO507



Cradle to Gate A1-A3	Total CO <sub>2</sub> emission	CO <sub>2</sub> e/kg	Recycled materials
	kg CO <sub>2</sub> e	kg CO <sub>2</sub> e/kg	%
<b>NRO507-0601</b>	9.49	0.17	0.61

The overall framework applied for these factors is the Environmental Product Declaration (EPD), which quantifies "environmental information on the life cycle of a product and enable comparisons between products fulfilling the same function" (ISO, 2006). This follows the structure and applies a Life-Cycle Assessment approach to the entire Product stage from raw material through manufacturing (A1-A3))

**Kompan A/S**  
 C.F. Tietgens Boulevard 32C  
 DK-5220 Odense SØ  
 Denmark



## Verification of CO<sub>2</sub> calculation of: Nature play



Data version no. 2023-10-05

The CO<sub>2</sub> calculation and data are in compliance with the principles of a carbon footprint impact according to the GHG protocol (Greenhouse Gas Protocol), Scope 3, cradle to gate related to all individual components in the product category: "Nature play" represented by item no.: NRO409-0621.

(Scope 3 emissions include emission sources in the upstream and downstream value chain).

**Date: 30. October 2023 | Valid until: 30. October 2025**

**Verified by:**

Julie Marie Vejsgaard Larsen, LCA & EPD Consultant

Verification based on report: Validation of CO<sub>2</sub> calculation of 9 categories of Kompan product line, version 1.0, prepared by: Bureau Veritas HSE, Denmark: Julie M. V. Larsen.

**Publication date: 30. October 2023**

**By Bureau Veritas HSE**  
 www.bureauveritas.dk  
 +45 7731 1000

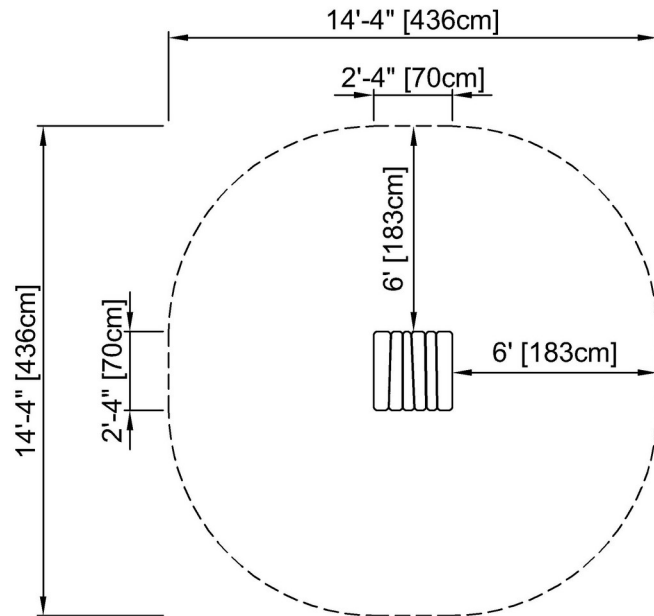


# Water Tap Podium

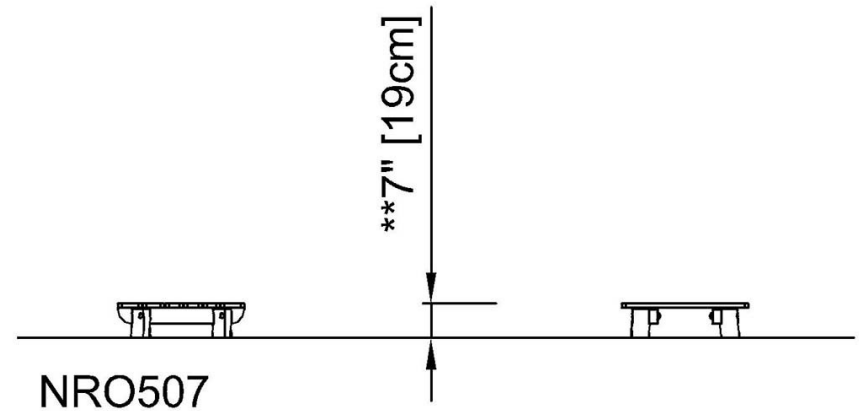
NRO507

\* Max fall height | \*\* Total height | \*\*\* Safety surfacing area

\* Max fall height | \*\* Total height



NRO507-xx01  
\* 7" / 19cm  
\*\* 7" / 19cm  
\*\*\* 172.2ft<sup>2</sup> / 16m<sup>2</sup>



[Click to see TOP VIEW](#)

[Click to see SIDE VIEW](#)