

Horizontal Row Pro

FAZ605

KOMPAN
Let's play



Con carico regolabile e maniglie multifunzionali, la macchina facilita esercizi adattati individualmente che rafforzano i muscoli estensori della spalla, i muscoli della parte superiore della schiena e i flessori del gomito con un movimento orizzontale all'indietro. Le macchine per la forza e le panche consentono un allenamento della forza

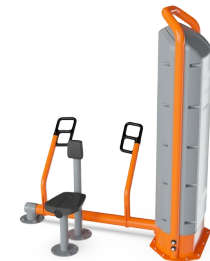
semplice, sicuro ed efficace per tutti i principali gruppi muscolari. Ciò aumenta la capacità funzionale quotidiana, specialmente per gli anziani, le prestazioni sportive, l'aspetto estetico e il fitness metabolico. Lo stack di pesi da 80 kg è completamente coperto e può essere regolato in 16 incrementi da 5 kg grazie a un manico intelligente e brevettato, rendendo

il prodotto molto facile da utilizzare e completamente sicuro anche all'aperto!

Codice articolo FAZ60500-0001	
Informazioni generali prodotto	
Dimensioni (LxLxA)	189x110x214 cm
Età d'uso	13+
Capacità di gioco	1
Opzioni colori	

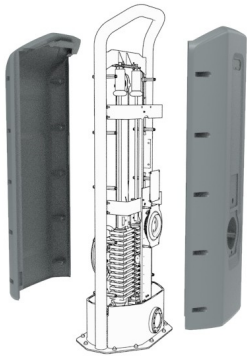


Maggiori Informazioni sull'App KOMPAN Fit

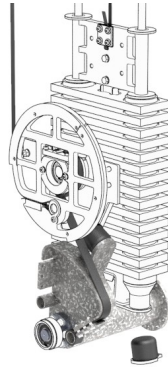


Horizontal Row Pro

FAZ605



The cover protects all the moving parts from vandalism and entrapments. The cover is made of 5mm rotomolded LLDPE, Linear low-density polyethylene, with excellent impact strength and usable within a large temperature span.



The resistance unit and all mechanical stops are hidden in the fully closed cabinet. As a result, entrapment is not possible, making it extremely safe to use and providing protection against the elements. The products are EN 16630 certified and comply with the ASTM F3101 for unsupervised outdoor fitness equipment.



The ergonomically shaped handles have different grip areas for adaptable training, allowing people from 140 – 205 cm tall, to perform the exercise ergonomically correctly and at the same time allowing multiple different exercises. The handles are Aluminum cast and have a diameter of \varnothing 33mm. The Grip Powder coating, used on the support handle, is highly durable against wear and tear, offers isolation, and simultaneously gives users an outstanding



The 80kg weight stack is fully covered and can be adjusted with a rotatable handle in 16 steps of 5 kg. The smart selector system is intuitive in use and patent-pending. No pins that get lost or get stuck, you simply pull and rotate the handle to change to select a different weight.



The seat is made of Polyurethane Rubber and has a steel insert plate that is electro-galvanized. The steel plate connects the seat to the frame. This construction makes the seat extremely durable against wear & tear and still very comfortable for a great user experience. The seat is positioned at a height of 46 cm, a comfortable height that makes the transfer from a wheelchair easy.



The input shaft is \varnothing 101,3 x 2,9mm S355 Hot Dip Galvanized and Powder-coated steel. The bearing house is Caste Aluminum (EN AB-44100 / EN AB-AISI12(a)) with self-aligning sealed ball bearings. An extremely strong and durable construction

Codice articolo FAZ60500-0001

Informazione installazione

Max. altezza di caduta	47 cm
Superficie di sicurezza	17,9 m ²
Tempo d'installazione totale	8,1
Volume di scavo	0,00 m ³
Volume di calcestruzzo	0,00 m ³
Profondità di base (standard)	0 cm
Peso della spedizione	476 kg
Opzioni ancoraggio	Superficie ✓

Garanzie

Acciaio zincato	Garanzia a vita
Parti mobili	2 anni
Componenti PUR	10 anni
Garanzia pezzi di ricambio	10 anni
Componenti in acciaio inossidabile	Garanzia a vita



Sustainability Data

FAZ605



Cradle to Gate A1-A3	Total CO ₂ emission	CO ₂ e/kg	Recycled materials
	kg CO ₂ e	kg CO ₂ e/kg	%
FAZ60500-0001	961,08	2,91	43,67

The overall framework applied for these factors is the Environmental Product Declaration (EPD), which quantifies "environmental information on the life cycle of a product and enable comparisons between products fulfilling the same function" (ISO, 2006). This follows the structure and applies a Life-Cycle Assessment approach to the entire Product stage from raw material through manufacturing (A1-A3))

Kompan A/S
 C.F. Tietgens Boulevard 32C
 DK-5220 Odense SØ
 Denmark



Verification of CO₂ calculation of: Fitness



Data version no. 2023-10-05

The CO₂ calculation and data are in compliance with the principles of a carbon footprint impact according to the GHG protocol (Greenhouse Gas Protocol), Scope 3, cradle to gate related to all individual components in the product category: "Fitness" represented by item no.: FAZ10100-0900.

(Scope 3 emissions include emission sources in the upstream and downstream value chain).

Date: 30. October 2023 | Valid until: 30. October 2025

Verified by:

Julie Marie Vejsgaard Larsen, LCA & EPD Consultant

Verification based on report: Validation of CO₂ calculation of 9 categories of Kompan product line, version 1.0, prepared by: Bureau Veritas HSE, Denmark: Julie M. V. Larsen.

Publication date: 30. October 2023

By Bureau Veritas HSE
 www.bureauveritas.dk
 +45 7731 1000

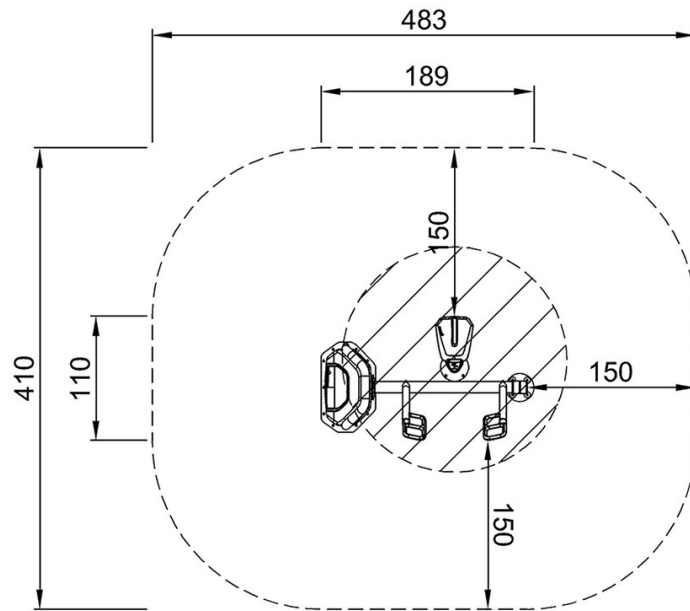


Horizontal Row Pro

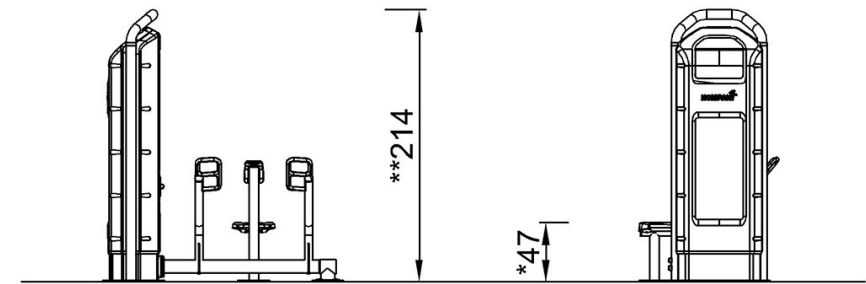
FAZ605

Altezza di caduta massima | Altezza totale | Superficie di sicurezza

Altezza di caduta massima | Altezza totale



FAZ60500
*47cm
**214cm
***17.9m²



FAZ605

[Fai clic per visualizzare il rapporto VISTA SUPERIORE](#)

[Fai clic per visualizzare il rapporto VISTA LATERALE](#)