

# Short Nose Truck

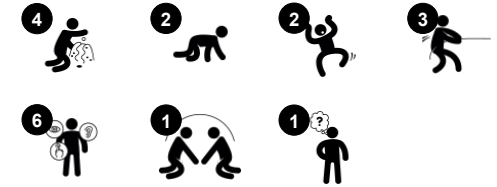
NRO561



Item no. NRO561-1021

## General Product Information

Dimensions LxWxH	397x201x218 cm
Age group	2+
Play capacity (users)	8
Color options	



The Short Nose Truck is a great play attraction. With its appealing design and recognizable theme, it ignites dramatic play, fun for younger children. The variety of climb and crawl activities attracts and ensures physical activity that trains important motor skills and major muscles. We know from our KOMPAN Play Institute studies, that manipulative play

elements increase the play retention and the dramatic play in very young children. This supports language skills and communication, helping children to understand the world, and to be understood by the surroundings. The variety of manipulative and fun physical activities support dramatic play scenarios, e.g. the gear shift and steering wheel add to the

feeling of driving the appealing Short Nose Truck. Dramatic play is the favorite play type for younger children. Apart from building an understanding of the world, dramatic play also trains language and communication skills intensely. The spaciousness and low height of the truck makes it easily accessible.



Data is subject to change without prior notice.

# Short Nose Truck

NRO561



All Organic Robinia products by KOMPAN are made of Robinia wood from sustainable European sources. On request it can be supplied as FSC® Certified (FSC® C004450).



The paint used for coloured components is water based environmental friendly with excellent UV resistance. The paint is in compliance with EN 71 Part 3.



The Robinia products are designed with a KOMPAN colour concept with a number of different standard colours. The wood can also be supplied as untreated or with brown painted with a pigment that maintains the wood colour.

Item no. NRO561-1021

## Installation Information

Max. fall height	58 cm
Safety surfacing area	30.5 m <sup>2</sup>
Total installation time	30.1
Excavation volume	1.26 m <sup>3</sup>
Concrete volume	0.00 m <sup>3</sup>
Footing depth (standard)	100 cm
Shipment weight	1,096 kg
Anchoring options	Surface ✓ In-ground ✓



There are Multiple footing options for all products: Surface anchoring with steel footings and expansion bolts. Wood in-ground or steel in-ground footings.



Panels of 19mm EcoCore™. EcoCore™ is a highly durable, eco friendly material, which is not only recyclable after use, but also consists of material produced from +95% recycled post consumer material from food packing waste.



The Robinia wood can be supplied as untreated raw wood, painted with a brown coloured transparent pigment that maintains the golden wood colour or in a coloured version where selected components are painted in different colours.



# Sustainability Data

NRO561



Cradle to Gate A1-A3	Total CO <sub>2</sub> emission	CO <sub>2</sub> e/kg	Recycled materials
	kg CO <sub>2</sub> e	kg CO <sub>2</sub> e/kg	%
<b>NRO561-1021</b>	283.70	0.33	9.10

The overall framework applied for these factors is the Environmental Product Declaration (EPD), which quantifies "environmental information on the life cycle of a product and enable comparisons between products fulfilling the same function" (ISO, 2006). This follows the structure and applies a Life-Cycle Assessment approach to the entire Product stage from raw material through manufacturing (A1-A3))

**Kompan A/S**  
 C.F. Tietgens Boulevard 32C  
 DK-5220 Odense SØ  
 Denmark



## Verification of CO<sub>2</sub> calculation of: Nature play



Data version no. 2023-10-05

The CO<sub>2</sub> calculation and data are in compliance with the principles of a carbon footprint impact according to the GHG protocol (Greenhouse Gas Protocol), Scope 3, cradle to gate related to all individual components in the product category: "Nature play" represented by item no.: NRO409-0621.

(Scope 3 emissions include emission sources in the upstream and downstream value chain).

**Date: 30. October 2023 | Valid until: 30. October 2025**

**Verified by:**

Julie Marie Vejsgaard Larsen, LCA & EPD Consultant

Verification based on report: Validation of CO<sub>2</sub> calculation of 9 categories of Kompan product line, version 1.0, prepared by: Bureau Veritas HSE, Denmark: Julie M. V. Larsen.

**Publication date: 30. October 2023**

**By Bureau Veritas HSE**  
 www.bureauveritas.dk  
 +45 7731 1000

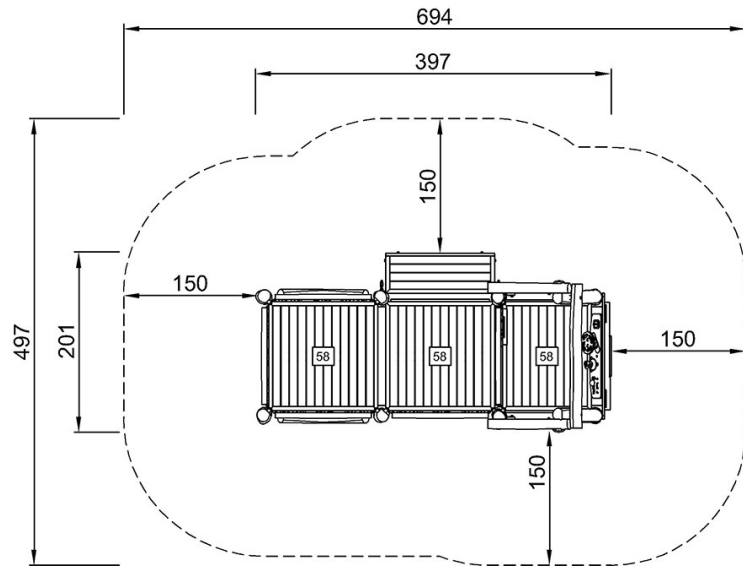


# Short Nose Truck

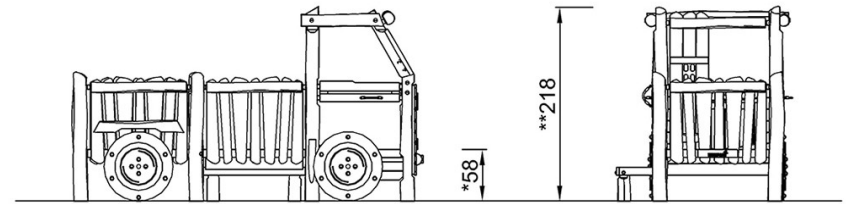
NRO561

\* Max fall height | \*\* Total height | \*\*\* Safety surfacing area

\* Max fall height | \*\* Total height



NRO561  
\*58cm  
\*\*218cm  
\*\*\*30.5m<sup>2</sup>



NRO561

[Click to see TOP VIEW](#)

[Click to see SIDE VIEW](#)