

Pullman Bench

M242



Item no. M24270-3218P

General Product Information

Dimensions LxWxH	4'4"x2'4"x3'1"
Age group	2 - 5
Play capacity (users)	4
Color options	



WOW! The Pullman Bench ignites children's enthusiasm to play transportation themes, especially train. The playful bench supports social-emotional and physical skills for young children. The intentional design helps children to stay and play, which provides great fun. In addition to being a place to sit alone or with friends, the Pullman will encourage imaginative

play and make-believe. Sitting with friends supports social-emotional development, and friendship skills. The imaginative theme play supports cognitive development and thinking skills. The windows enhance this by providing children with opportunities to play peek-a-boo and other games. Young children will also enjoy moving around the Pullman bench and

for younger children, pulling themselves up to stand will support physical skills.



Pullman Bench

M242



Theme

Cognitive: suggests a theme and supports dramatic play, which stimulates language and communication skills.



Bench

Social-Emotional: gathering, cooperating or taking a break from play all train social skills.

Pullman Bench

M242



Panels of 19mm EcoCore™. EcoCore™ is a highly durable, eco friendly material, which is not only recyclable after use, but also consists of a core produced from 100% recycled material.

The seating area is made of HPL with a thickness 17.8 mm. KOMPAN HPL has high wearing strength to ensure long lifetime in all climates.

Item no. M24270-3218P	
Installation Information	
Max. fall height	0'0"
Safety surfacing area	0ft²
Total installation time	3.6
Excavation volume	0.17yd³
Concrete volume	0yd³
Footing depth (standard)	1'1"
Shipment weight	210lbs
Anchoring options	In-ground ✓ Surface ✓
Warranty Information	
EcoCore HDPE	Lifetime
HPL seat	15 Years
Spare Parts Availability	10 Years

Elevated activities 0	Accessible elevated activities	Accessible ground level activities	Accessible ground level play types
Present	0	1	1
Required	0	1	1

**ASTM
F1487**
compliant

Sustainability Data

M242



Cradle to Gate A1-A3	Total CO₂ emission	CO₂e/kg	Recycled materials
	kg CO ₂ e	kg CO ₂ e/kg	%
M24270-3218P	93.89	1.68	48.46

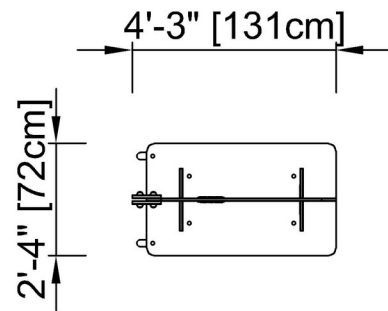
The overall framework applied for these factors is the Environmental Product Declaration (EPD), which quantifies "environmental information on the life cycle of a product and enable comparisons between products fulfilling the same function" (ISO, 2006). This follows the structure and applies a Life-Cycle Assessment approach to the entire Product stage from raw material through manufacturing (A1-A3))

Pullman Bench

M242

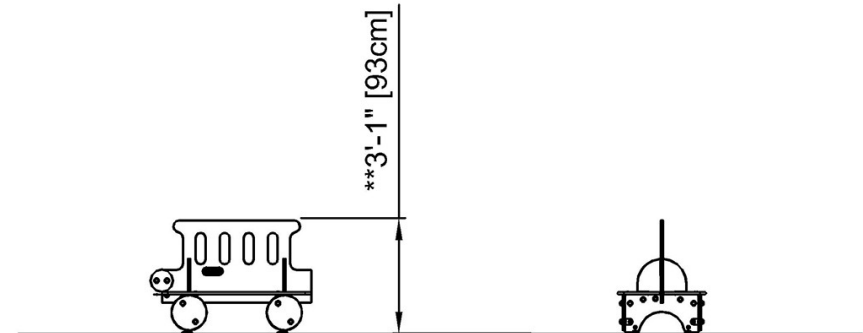
* Max fall height | ** Total height | *** Safety surfacing area

* Max fall height | ** Total height



M24270P-xx18

** 3'-1" / 93cm



M24270P
1:100

[Click to see TOP VIEW](#)

[Click to see SIDE VIEW](#)