

Fire Engine

M535



Item no. M53570-3418P

General Product Information

Dimensions LxWxH	172x275x190 cm
Age group	2 - 5
Play capacity (users)	8
Colour options	



WOW! The Fire Engine motivates endless hours of play, again and again. It spurs a million dramatic imagination games with friends. With its spacious design and dens, it's an experience to explore. The side, rear and front openings allow children to enter from all sides, enabling versatile crawling. This trains cross-coordination, which in turn stimulates

future reading skills. The story-telling and dramatic play dimension of the Fire Engine is immense. Dramatic play is great for language development, and here dramatic play is invited in several places: The driving compartment has two steering wheels to stimulate parallel play. Numerous themed tactile elements in the unit stimulate cause-and-effect understanding.

They are dramatic play props: The megaphone warns people of fire. Endless social and dramatic play!



Fire Engine

M535



Theme

Cognitive: suggests a theme and supports dramatic play, which stimulates language and communication skills.



Megaphone

Social-Emotional: inspires communication and turn-taking skills. **Cognitive:** distortion of sound evokes curiosity and stimulates an understanding of cause and effect.



Play sphere

Social-Emotional: can be played from both sides, encouraging cooperation. **Cognitive:** cause and effect understanding. **Creative:** leave a mark and place the spheres at different positions.



Crawl-through hole

Physical: the hole allows for climbing and crawling through, developing cross coordination, proprioception and spatial awareness. **Social-Emotional:** cooperation and turn-taking when passing one another. **Cognitive:** understanding space, shape and measures when seeing if the body can fit through the hole.



Turning wheel

Social-Emotional: develops turn-taking, communication and cooperation. **Cognitive:** the manipulative item stimulates cause and effect understanding, logical thinking and communication. **Creative:** working with moveable play items that can leave a mark supports the child's creativity.



Gear shift

Social-Emotional: cooperation, turn-taking, sharing. **Cognitive:** suggests a theme and supports dramatic play, which stimulates languages skills.



Truck bed

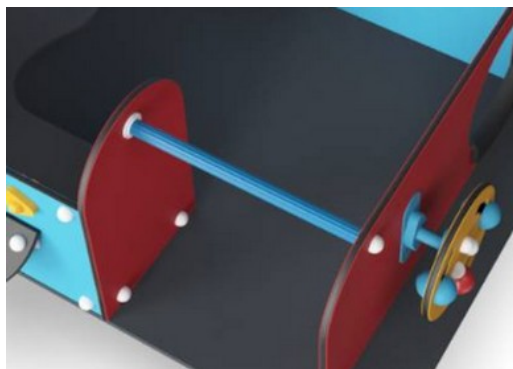
Social-Emotional: the truck bed allows for more children to be together and share. Important life skills like consideration and turn-taking are built.

Fire Engine

M535



Panels of 19mm EcoCore™. EcoCore™ is a highly durable, eco friendly material, which is not only recyclable after use, but also consists of material produced from +95% recycled post consumer material from food packing waste.



Foot support is made of HPL with a thickness of 17,8mm with a very high wearing strength and a unique KOMPAN nonskid surface texture.



Play activities like the Megaphone are made of injection moulded high quality nylon (PA6). PA6 has good wearing and impact strength and is UV stabilised.

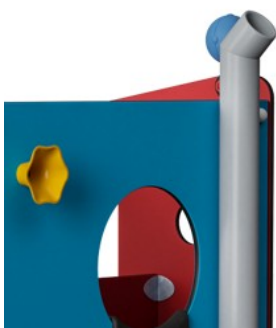
Item no. M53570-3418P

Installation Information

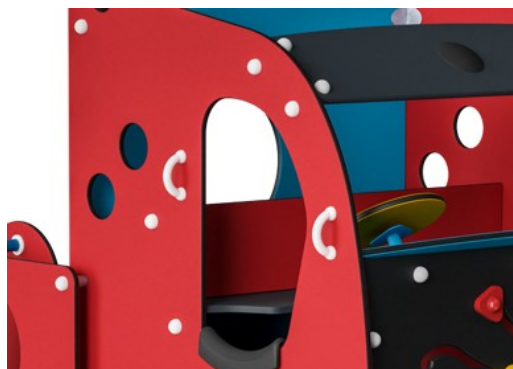
Max. fall height	91 cm
Safety surfacing area	29.8 m²
Total installation time	15.9
Excavation volume	0.60 m³
Concrete volume	0.00 m³
Footing depth (standard)	63 cm
Shipment weight	505 kg
Anchoring options	In-ground ✓ Surface ✓

Warranty Information

EcoCore HDPE	Lifetime
Hot dip galvanised steel	Lifetime
HPL decks	15 years
PUR components	10 years
Spare parts guaranteed	10 years



Exhaust pipe is made of polypropylene PP with excellent impact strength and usable within a large temperature span.



Handholds are made of injection moulded high quality nylon (PA6). PA6 has good wearing and impact strength.



KOMPAN GreenLine versions are designed with ultimate environmentally friendly materials with lowest possible CO2e emission factor such as EcoCore™ panels of +95% post consumer recycled ocean waste.

Elevated activities 0	Accessible elevated activities	Accessible ground level activities	Accessible ground level play types
Present	0	1	1
Required	0	1	1



Sustainability Data

M535



Cradle to Gate A1-A3	Total CO₂ emission	CO₂e/kg	Recycled materials
	kg CO ₂ e	kg CO ₂ e/kg	%
M53570-3418P	749.73	1.76	49.03

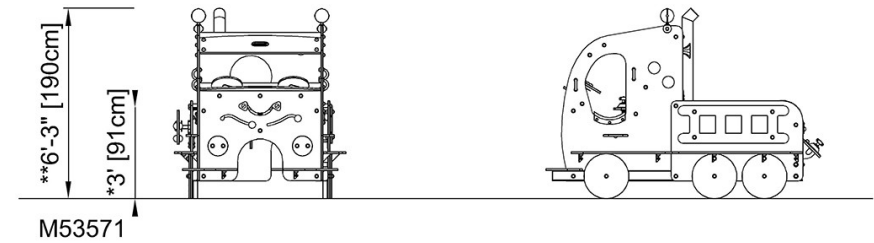
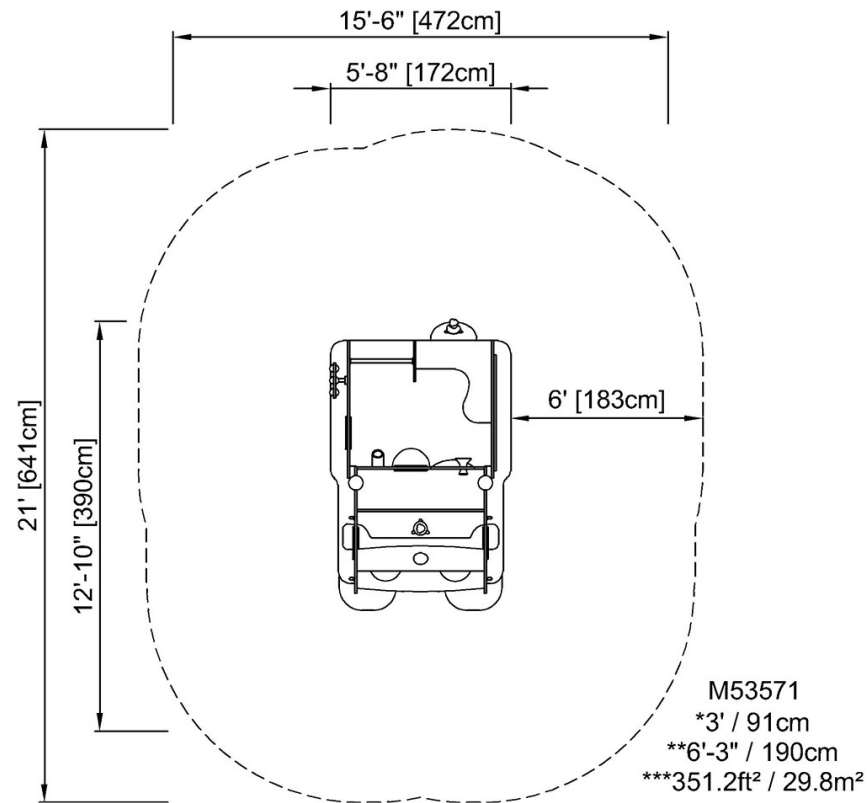
The overall framework applied for these factors is the Environmental Product Declaration (EPD), which quantifies "environmental information on the life cycle of a product and enable comparisons between products fulfilling the same function" (ISO, 2006). This follows the structure and applies a Life-Cycle Assessment approach to the entire Product stage from raw material through manufacturing (A1-A3))

Fire Engine

M535

* Max fall height | ** Total height | *** Safety surfacing area

* Max fall height | ** Total height



[Click to see TOP VIEW](#)

[Click to see SIDE VIEW](#)