

Single Slide 1.8m high

NRO302

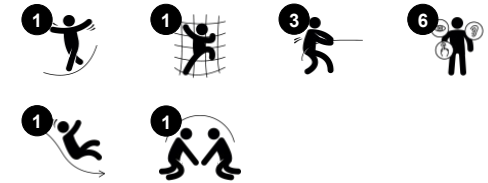
KOMPAN
Let's play



Item no. NRO302-0901

General Product Information

Dimensions LxWxH	401x120x324 cm
Age group	4+
Play capacity (users)	2
Color options	



The Single Slide is a playground classic. It is fun play and children can't wait to try it out, again and again. Looping the stair and the slide, apart from being fun, is great cardio training. Furthermore, children train their turn-taking skills and their empathy when waiting for others, who may be less courageous or fast. When children slide, they train their core

muscles, sitting upright while sliding down. This stimulates trunk stability, important for avoiding back and neck pains – a growing problem in children due to sedentary lifestyles. It additionally trains the sense of balance, fundamental for other motor skills. Climbing up the ladder to the Single Slide, children train their cross-coordination. The training of cross-

coordination is important for the cooperation of left and right brain side. This cooperation is used for instance when children read. A great activity which is fun stimulates basic physical skills.



Single Slide 1.8m high

NRO302



The stainless-steel slides with one-piece slide bed are made of high-quality stainless-steel AISI 304.



All Organic Robinia products by KOMPAN are made of Robinia wood from sustainable European sources. On request it can be supplied as FSC® Certified (FSC® C004450).



Slide interface panel of 19mm EcoCore™. EcoCore™ is a highly durable, eco-friendly material, which is not only recyclable after use, but is also made of +95% recycled post-consumer material from e.g., food packing waste in both core and colorful outer layer.

Item no. NRO302-0901

Installation Information

Max. fall height	183 cm
Safety surfacing area	27.0 m ²
Total installation time	5.0
Excavation volume	0.45 m ³
Concrete volume	0.18 m ³
Footing depth (standard)	94 cm
Shipment weight	317 kg
Anchoring options	In-ground ✓



Sustainability Data

NRO302



Cradle to Gate A1-A3	Total CO ₂ emission	CO ₂ e/kg	Recycled materials
	kg CO ₂ e	kg CO ₂ e/kg	%
NRO302-0901	321.70	1.49	18.70

The overall framework applied for these factors is the Environmental Product Declaration (EPD), which quantifies "environmental information on the life cycle of a product and enable comparisons between products fulfilling the same function" (ISO, 2006). This follows the structure and applies a Life-Cycle Assessment approach to the entire Product stage from raw material through manufacturing (A1-A3))

Kompan A/S
 C.F. Tietgens Boulevard 32C
 DK-5220 Odense SØ
 Denmark



Verification of CO₂ calculation of: Nature play



Data version no. 2023-10-05

The CO₂ calculation and data are in compliance with the principles of a carbon footprint impact according to the GHG protocol (Greenhouse Gas Protocol), Scope 3, cradle to gate related to all individual components in the product category: "Nature play" represented by item no.: NRO409-0621.

(Scope 3 emissions include emission sources in the upstream and downstream value chain).

Date: 30. October 2023 | Valid until: 30. October 2025

Verified by:

Julie Marie Vejsgaard Larsen, LCA & EPD Consultant

Verification based on report: Validation of CO₂ calculation of 9 categories of Kompan product line, version 1.0, prepared by: Bureau Veritas HSE, Denmark: Julie M. V. Larsen.

Publication date: 30. October 2023

By Bureau Veritas HSE
 www.bureauveritas.dk
 +45 7731 1000

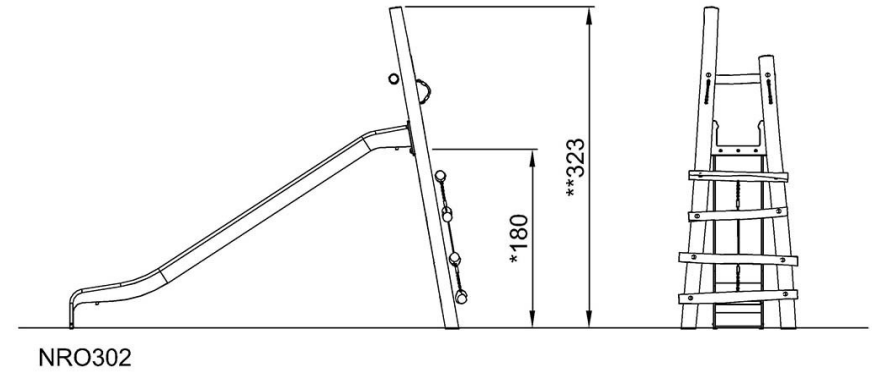
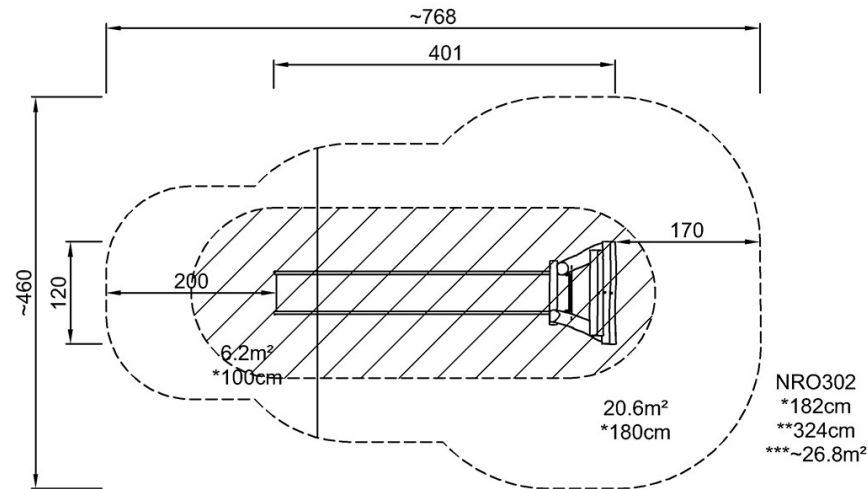


Single Slide 1.8m high

NRO302

* Max fall height | ** Total height | *** Safety surfacing area

* Max fall height | ** Total height



[Click to see TOP VIEW](#)

[Click to see SIDE VIEW](#)