

# Racer

ELE400002



Item no. ELE400002-01E

### General Product Information

|                       |             |
|-----------------------|-------------|
| Dimensions LxWxH      | 71x36x68 cm |
| Age group             | 2+          |
| Play capacity (users) | 1           |
| Colour options        |             |



The Racer is a new development within spring riders. Because of the Racer's rounded and comfortable body, the child can lean from side to side as if racing around corners. Stable footrests and graspable handholds are supplied for this active play. Due to its abstract form, the Racer can take on any role in the play - racing on a horse, on a motorbike, or even a

space scooter.



# Racer

ELE400002



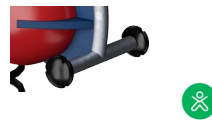
## Handhold

**Physical:** the vertical handgrips ensure a firm grip at different heights, necessary for rocking intensely. This trains hand and arm muscles.



## Rocking spring

**Physical:** response to movements adds to spatial awareness and sense of balance. These are fundamental motor skills that help the child's ability to sit still on a chair which takes a good sense of balance. **Cognitive:** trains the understanding of cause and effect: when I move my body, the spring responds with movement.



## Foot support

**Physical:** the possibility of footrest supports intensive rocking. Rocking stimulates the senses of balance and space that are fundamental in managing the world securely.

# Racer

ELE400002



The seat is made with recycable PE from 33% post consumer materials and moulded in one piece with a minimum 5mm wall thickness. PE has high impact resistance across a wide temperature span which ensures vandal resistance in all locations.

KOMPAN Springs are made of high quality spring steel according to EN10270. The springs are cleaned by phosphating before they are painted with an epoxy primer and a polyester powder coating as top finish. The springs are fixed by unique anti pinch fittings for maximum safety and long lifetime.

The springs are fixed by unique anti pinch fittings for maximum safety and long lifetime.



Handles are made with a moulded PP insert and an outer layer of soft TPV rubber. The handles are attached to the pipe with a galvanised steel inlay to ensure strength and durability.



The steel surfaces are hot dip galvanised inside and outside with lead free zinc. The galvanisation has excellent corrosion resistance in outside environments and requires low maintenance.



KOMPAN GreenLine versions are designed with ultimate environmentally friendly materials with lowest possible CO2e emission factor such as EcoCore™ panels of +95% post consumer recycled ocean waste.

Item no. ELE400002-01E

### Installation Information

|                          |                          |
|--------------------------|--------------------------|
| Max. fall height         | 60 cm                    |
| Safety surfacing area    | 5.9 m <sup>2</sup>       |
| Total installation time  | 1.8                      |
| Excavation volume        | 0.19 m <sup>3</sup>      |
| Concrete volume          | 0.00 m <sup>3</sup>      |
| Footing depth (standard) | 45 cm                    |
| Shipment weight          | 37 kg                    |
| Anchoring options        | In-ground ✓<br>Surface ✓ |

### Warranty Information

|                          |          |
|--------------------------|----------|
| Handle                   | 10 years |
| Hollow PE parts          | 10 years |
| Hot dip galvanised steel | Lifetime |
| Spare parts guaranteed   | 10 years |
| Springs                  | 5 years  |



# Sustainability Data

ELE400002



| Cradle to Gate A1-A3 | Total CO <sub>2</sub> emission | CO <sub>2</sub> e/kg    | Recycled materials |
|----------------------|--------------------------------|-------------------------|--------------------|
|                      | kg CO <sub>2</sub> e           | kg CO <sub>2</sub> e/kg | %                  |
| <b>ELE400002-01E</b> | 81.44                          | 2.53                    | 42.92              |

The overall framework applied for these factors is the Environmental Product Declaration (EPD), which quantifies "environmental information on the life cycle of a product and enable comparisons between products fulfilling the same function" (ISO, 2006). This follows the structure and applies a Life-Cycle Assessment approach to the entire Product stage from raw material through manufacturing (A1-A3))

**Kompan A/S**  
 C.F. Tietgens Boulevard 32C  
 DK-5220 Odense SØ  
 Denmark



## Verification of CO<sub>2</sub> calculation of: Freestanding play equipment



Data version no. 2023-10-05

The CO<sub>2</sub> calculation and data are in compliance with the principles of a carbon footprint impact according to the GHG protocol (Greenhouse Gas Protocol), Scope 3, cradle to gate related to all individual components in the product category: "Freestanding play equipment" represented by item no.: GXY916012-3417.

(Scope 3 emissions include emission sources in the upstream and downstream value chain).

**Date: 30. October 2023 | Valid until: 30. October 2025**

**Verified by:**

Julie Marie Vejsgaard Larsen, LCA & EPD Consultant

Verification based on report: Validation of CO<sub>2</sub> calculation of 9 categories of Kompan product line, version 1.0, prepared by: Bureau Veritas HSE, Denmark: Julie M. V. Larsen.

**Publication date: 30. October 2023**

**By Bureau Veritas HSE**  
 www.bureauveritas.dk  
 +45 7731 1000

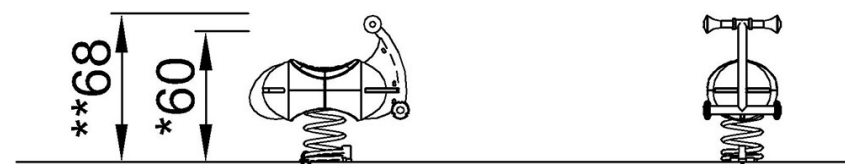
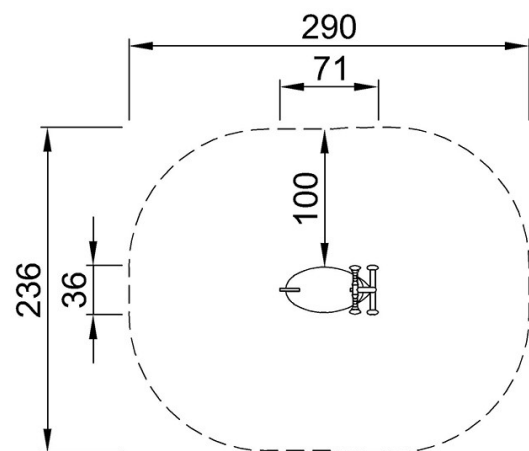


# Racer

ELE400002

\* Max fall height | \*\* Total height | \*\*\* Safety surfacing area

\* Max fall height | \*\* Total height



ELE400002

ELE400002

\*60cm

\*\*68cm

\*\*\*5.9m<sup>2</sup>

[Click to see TOP VIEW](#)

[Click to see SIDE VIEW](#)