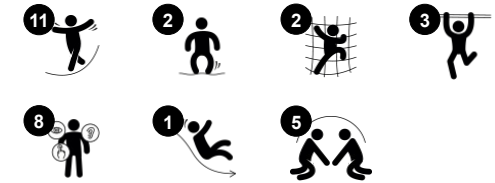


Cabin Trail

CRP250501



Item no. CRP250501-0901	
General Product Information	
Dimensions LxWxH	510x493x257 cm
Age group	6+
Play capacity (users)	16
Color options	● ● ●



The Cabin Trail is exciting and multifunctional for a wide range of children. It attracts play instantly and again and again with its rich variety of climb, balance and slide activities that help develop movement skills that are fundamental for managing a range of life skills. The fun climb, crawl and balance through the Cabin Trail trains the motor skills' ABC: Agility,

Balance and Coordination. These motor skills are fundamental to school children's ability to navigate the world with confidence, but also their ability to sit still and concentrate. The rope structures encourage meeting, turn-taking and self-regulation, all important social-emotional skills that will help children form friendships throughout life. The loop of play offers graded

play challenges, and the slide invites a fun egress back to ground level.



Cabin Trail

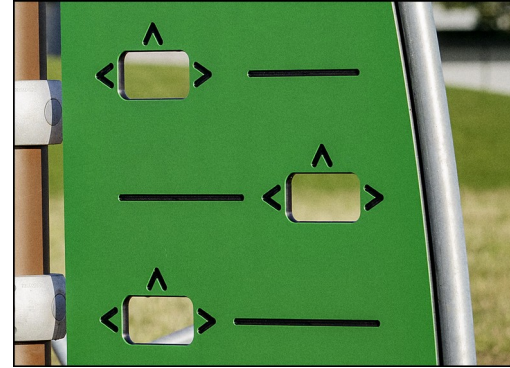
CRP250501



Ropes of UV-stabilized PES rope strands with inner steel cable reinforcement. The polyester yarn is made from +95% post-consumer materials and is inductively melted onto each strand.



Corocord 'S' clamps are used as universal connections in Corocord products. 8mm stainless steel rods with rounded edges are pressed around the ropes with a special hydraulic press, making them the ideal connector: safe, durable and vandalism-proof, all while allowing the typical movement of rope play structures.



Panels of 19mm EcoCore™. EcoCore™ is a highly durable, eco friendly material, which is not only recyclable after use, but also consists of material produced from +95% recycled post consumer material from food packing waste.

Item no. CRP250501-0901

Installation Information

Max. fall height	240 cm
Safety surfacing area	51.3 m ²
Total installation time	19.1
Excavation volume	5.54 m ³
Concrete volume	2.94 m ³
Footing depth (standard)	90 cm
Shipment weight	734 kg
Anchoring options	Surface ✓ In-ground ✓



Colored steel components have a base of hot dip galvanization and a powder coated top finish. This provides an ultimate corrosion resistance in all climates around the world. Other steel surfaces are hot dip galvanized inside and outside with lead free zinc.



Corocord smart clamps are carefully designed in every detail to ensure superior flexibility in high quality aluminum material. The smart clamps are attached around the posts with four steel bolts. Not used attachment points are closed with PA caps.



Molded PE slides made with 33% post-consumer materials in different colors in one-piece design with a wall thickness of minimum 5mm. The PE is tested for UV stability and has excellent impact strength and it is usable within a large temperature span.



Sustainability Data

CRP250501



Cradle to Gate A1-A3	Total CO ₂ emission	CO ₂ e/kg	Recycled materials
	kg CO ₂ e	kg CO ₂ e/kg	%
CRP250501-0901	1,440.00	2.90	48.40

The overall framework applied for these factors is the Environmental Product Declaration (EPD), which quantifies "environmental information on the life cycle of a product and enable comparisons between products fulfilling the same function" (ISO, 2006). This follows the structure and applies a Life-Cycle Assessment approach to the entire Product stage from raw material through manufacturing (A1-A3))

Kompan A/S
 C.F. Tietgens Boulevard 32C
 DK-5220 Odense SØ
 Denmark



Verification of CO₂ calculation of: Corocord



Data version no. 2023-10-05

The CO₂ calculation and data are in compliance with the principles of a carbon footprint impact according to the GHG protocol (Greenhouse Gas Protocol), Scope 3, cradle to gate related to all individual components in the product category: "Corocord" represented by item no.: COR314011-1101.

(Scope 3 emissions include emission sources in the upstream and downstream value chain).

Date: 30. October 2023 | Valid until: 30. October 2025

Verified by:

Julie Marie Vejsgaard Larsen, LCA & EPD Consultant

Verification based on report: Validation of CO₂ calculation of 9 categories of Kompan product line, version 1.0, prepared by: Bureau Veritas HSE, Denmark: Julie M. V. Larsen.

Publication date: 30. October 2023

By Bureau Veritas HSE
 www.bureauveritas.dk
 +45 7731 1000

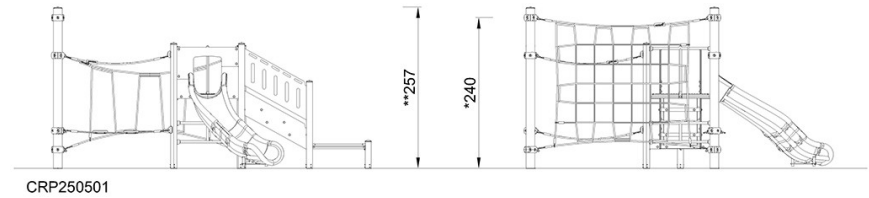
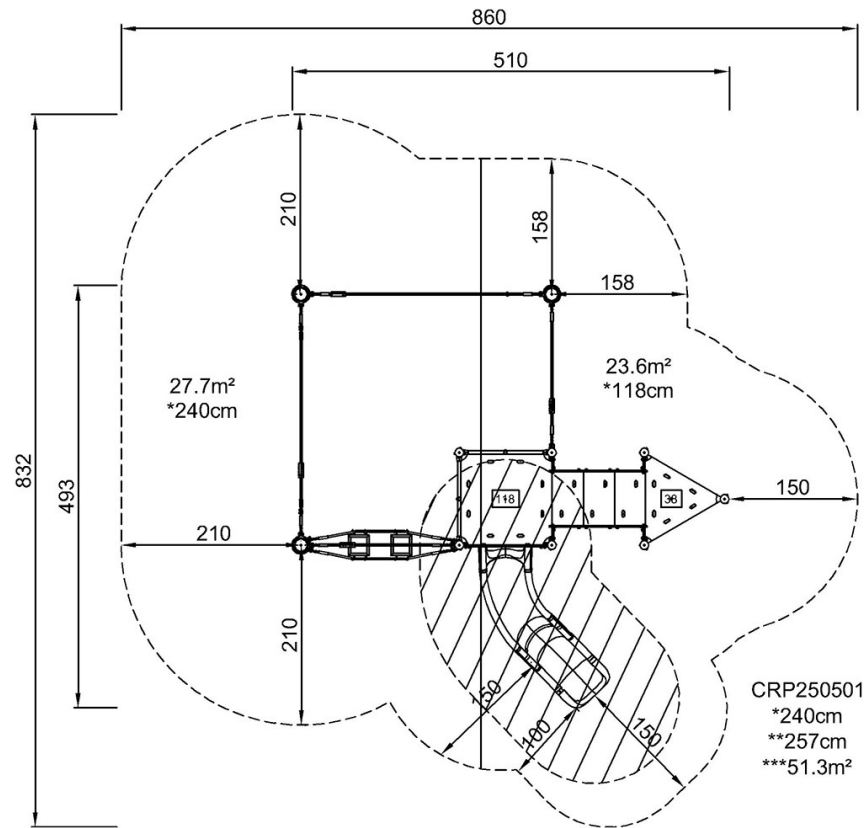


Cabin Trail

CRP250501

* Max fall height | ** Total height | *** Safety surfacing area

* Max fall height | ** Total height



[Click to see TOP VIEW](#)

[Click to see SIDE VIEW](#)