

Stepping Pod, 600mm

M87403



Item no. M87403-3617

General Product Information

Dimensions LxWxH	28x28x59 cm
Age group	3+
Play capacity (users)	1
Colour options	●



The Stepping Pods provide great fun because they make it possible to jump to and from the various play equipment structures. While jumping from one Stepping Pod to the next, the child's sense of balance is trained. Furthermore, the Stepping Pods may also serve as a convenient place for resting.



Stepping Pod, 600mm

M87403



Sturdy rubber surface

Physical: makes for a skid-resistant surface for jumping up and down, training muscle and motor skills and building bone density.



Stepping pod

Physical: young children learn how to alternate feet and balance. These are important for the proprioceptive and vestibular systems that help children navigate the world securely. Jumping down builds bone density and muscles.

Stepping Pod, 600mm

M87403



Stepping point is made of SBR rubber. It has good heat and abrasion resistance.



The steel surfaces are hot dip galvanised inside and outside with lead free zinc. The galvanisation has excellent corrosion resistance in outside environments and requires low maintenance.

Item no. M87403-3617	
Installation Information	
Max. fall height	59 cm
Safety surfacing area	8.4 m ²
Total installation time	0.5
Excavation volume	0.10 m ³
Concrete volume	0.03 m ³
Footing depth (standard)	80 cm
Shipment weight	21 kg
Anchoring options	In-ground ✓ Surface ✓
Warranty Information	
Hot dip galvanised steel	Lifetime
SBR rubber	2 years
Spare parts guaranteed	10 years



Sustainability Data

M87403



Cradle to Gate A1-A3	Total CO ₂ emission	CO ₂ e/kg	Recycled materials
	kg CO ₂ e	kg CO ₂ e/kg	%
M87403-3617	46.33	2.25	25.11

The overall framework applied for these factors is the Environmental Product Declaration (EPD), which quantifies "environmental information on the life cycle of a product and enable comparisons between products fulfilling the same function" (ISO, 2006). This follows the structure and applies a Life-Cycle Assessment approach to the entire Product stage from raw material through manufacturing (A1-A3))

Kompan A/S
 C.F. Tietgens Boulevard 32C
 DK-5220 Odense SØ
 Denmark



Verification of CO₂ calculation of: Freestanding play equipment



Data version no. 2023-10-05

The CO₂ calculation and data are in compliance with the principles of a carbon footprint impact according to the GHG protocol (Greenhouse Gas Protocol), Scope 3, cradle to gate related to all individual components in the product category: "Freestanding play equipment" represented by item no.: GXY916012-3417.

(Scope 3 emissions include emission sources in the upstream and downstream value chain).

Date: 30. October 2023 | Valid until: 30. October 2025

Verified by:

Julie Marie Vejsgaard Larsen, LCA & EPD Consultant

Verification based on report: Validation of CO₂ calculation of 9 categories of Kompan product line, version 1.0, prepared by: Bureau Veritas HSE, Denmark: Julie M. V. Larsen.

Publication date: 30. October 2023

By Bureau Veritas HSE
 www.bureauveritas.dk
 +45 7731 1000

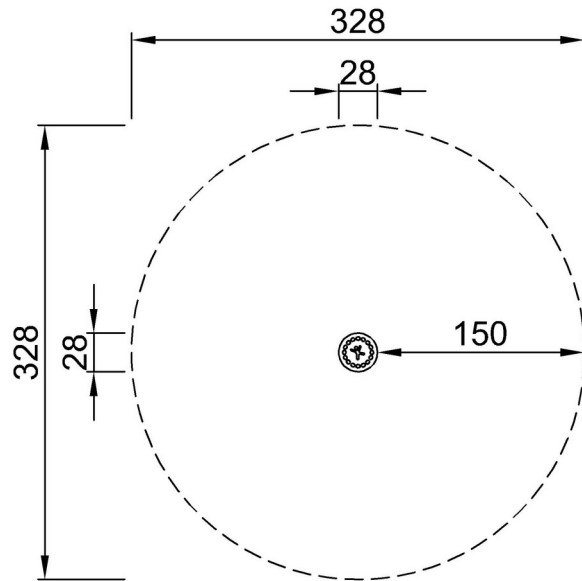


Stepping Pod, 600mm

M87403

* Max fall height | ** Total height | *** Safety surfacing area

* Max fall height | ** Total height



M87403
*59cm
**59cm
***8.4m²



M87403

[Click to see TOP VIEW](#)

[Click to see SIDE VIEW](#)