

# Dune Buggy

M170



Item no. M17003-01P	
<b>General Product Information</b>	
Dimensions LxWxH	40x88x77 cm
Age group	1+
Play capacity (users)	1
Color options	



Rocking on the Dune Buggy is a fun playground activity that children will return to again and again. Children are able to control the play by moving their bodies to make the Dune Buggy rock. They will feel delighted to have the buggy respond to their movements. The two sides support the seated position, and the foot and hand holds provide a stable point

to stem feet and hands from, to create the movement. This is not only fun, but is also good for physical and cognitive development. When children begin to learn the connections between their bodies and their movements, they begin to make cognitive connections to a range of body movements and sensations. The dune buggy theme will be open up the child's

imagination, and will encourage physical and imaginative play.



# Dune Buggy

M170



Panels of 19mm EcoCore™. EcoCore™ is a highly durable, eco friendly material, which is not only recyclable after use, but also consists of material produced from +95% recycled post consumer material from food packing waste.



KOMPAN Springs are made of high quality spring steel according to EN10270. The springs are cleaned by phosphating before they are painted with an epoxy primer and a polyester powder coating as top finish. The springs are fixed by unique anti pinch fittings for maximum safety and long lifetime.



The springs are fixed by unique anti pinch fittings for maximum safety and long lifetime.

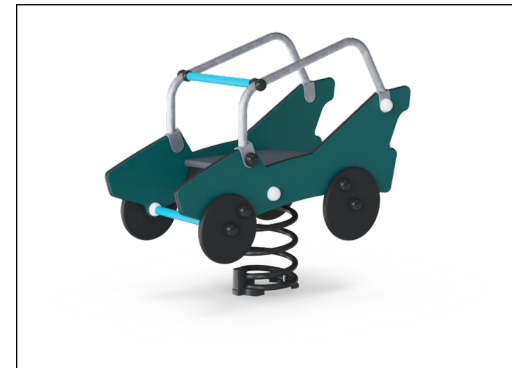
Item no. M17003-01P	
Installation Information	
Max. fall height	60 cm
Safety surfacing area	7.5 m <sup>2</sup>
Total installation time	2.8
Excavation volume	0.19 m <sup>3</sup>
Concrete volume	0.00 m <sup>3</sup>
Footing depth (standard)	45 cm
Shipment weight	42 kg
Anchoring options	In-ground ✓ Surface ✓



Handle is made of polypropylene PP with excellent impact strength and usable within a large temperature span.



The steel support posts are hot dip galvanised inside and outside with lead free zinc. The galvanisation has excellent corrosion resistance in outside environments and requires low maintenance.



KOMPAN GreenLine versions are designed with ultimate environmentally friendly materials with lowest possible CO<sub>2</sub>e emission factor such as EcoCore™ panels of +95% post consumer recycled ocean waste.



# Sustainability Data

M170



Cradle to Gate A1-A3	Total CO <sub>2</sub> emission	CO <sub>2</sub> e/kg	Recycled materials
	kg CO <sub>2</sub> e	kg CO <sub>2</sub> e/kg	%
<b>M17003-01P</b>	81.80	2.34	52.50

The overall framework applied for these factors is the Environmental Product Declaration (EPD), which quantifies "environmental information on the life cycle of a product and enable comparisons between products fulfilling the same function" (ISO, 2006). This follows the structure and applies a Life-Cycle Assessment approach to the entire Product stage from raw material through manufacturing (A1-A3))

**Kompan A/S**  
 C.F. Tietgens Boulevard 32C  
 DK-5220 Odense SØ  
 Denmark



## Verification of CO<sub>2</sub> calculation of: Freestanding play equipment



Data version no. 2023-10-05

The CO<sub>2</sub> calculation and data are in compliance with the principles of a carbon footprint impact according to the GHG protocol (Greenhouse Gas Protocol), Scope 3, cradle to gate related to all individual components in the product category: "Freestanding play equipment" represented by item no.: GXY916012-3417.

(Scope 3 emissions include emission sources in the upstream and downstream value chain).

**Date: 30. October 2023 | Valid until: 30. October 2025**

**Verified by:**

Julie Marie Vejsgaard Larsen, LCA & EPD Consultant

Verification based on report: Validation of CO<sub>2</sub> calculation of 9 categories of Kompan product line, version 1.0, prepared by: Bureau Veritas HSE, Denmark: Julie M. V. Larsen.

**Publication date: 30. October 2023**

**By Bureau Veritas HSE**  
 www.bureauveritas.dk  
 +45 7731 1000

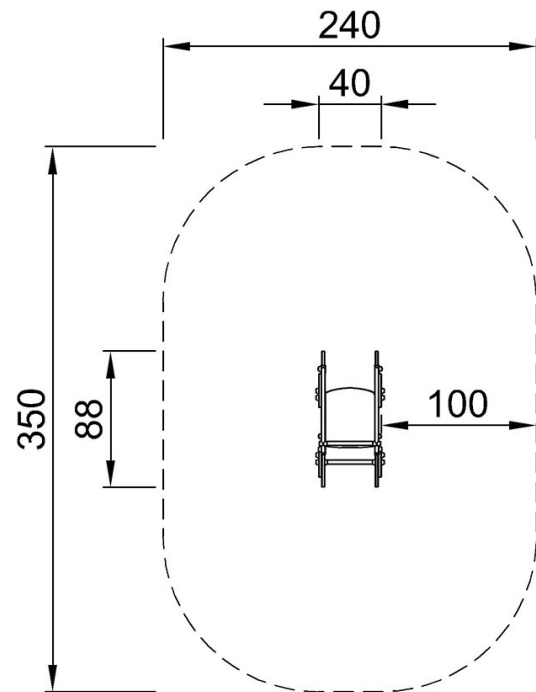


# Dune Buggy

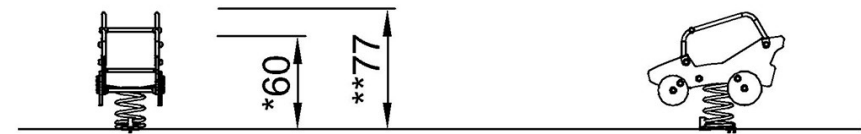
M170

\* Max fall height | \*\* Total height | \*\*\* Safety surfacing area

\* Max fall height | \*\* Total height



M17003  
\*60cm  
\*\*77cm  
\*\*\*7.5m<sup>2</sup>



M17003

[Click to see TOP VIEW](#)

[Click to see SIDE VIEW](#)