

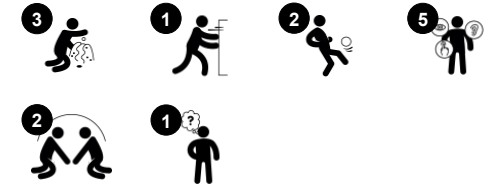


# Play Panel High - Maze

PCM004221



|                                    |   |
|------------------------------------|---|
| Item no. PCM004221-0901            |   |
| <b>General Product Information</b> |   |
| Dimensions LxWxH                   | 121x21x106 cm   |
| Age group                          | 2 - 12  |
| Play capacity (users)              | 2   |
| Colour options                     |   |



The Maze is a highly attractive play activity that will appeal to children again and again. Steering the steel bullets through the maze to meet their destination points takes concentration and good control of big arm movement as well as smaller hand movements. This is a great training of motor and muscle skills and it makes a great fundament for

instance for hand-writing and drawing. The thrill of hitting the target points of the yellow, blue or red circle is second to none. Children love to play this game together, or they take a break from the wilder activities of the playground to retract for some solitary play. On the rear side of the play panel, a finger maze is placed. These different levels of mazes appeal to each

their sort of play and competence level. All in all, the Maze play panel is an excellent offering of concentrated small group or individual play. The play panel is high to make it inclusive of more ages and abilities.

# Play Panel High - Maze

PCM004221



## Maze panel

**Social-Emotional:** communication and cooperation exploring the maze with friends.  
**Cognitive:** stimulates memory when memorizing maze routes.



## Turnable Maze Panel

**Social-Emotional:** cooperating on completing the maze trains turn-taking and cooperation skills. **Cognitive:** figuring out how to turn the maze to make the balls fit into the goals trains logical thinking skills. The game character supports rules understanding and strategic thinking. **Creative:** leaving the balls in new positions allow children to leave a mark in the playground.

# Play Panel High - Maze

PCM004221



Panels of 19mm EcoCore™. EcoCore™ is a highly durable, eco friendly material, which is not only recyclable after use, but also consists of material produced from +95% recycled post consumer material from food packing waste.



Main posts with hot dip galvanized steel footing are available in different materials: Pressure impregnated pine wood posts. Pre-galvanized inside and outside with powder coated top finish steel posts. Lead free aluminum with color anodized top finish. Greenline TexMade posts of 95% post-consumer recycled PE and textile waste.



The Xylophone music panel consist of HDPE material in 19mm EcoCore™ made with +95% recycled post-consumer material from e.g., food packing waste in both core and colorful outer layer. The pipes are made of die cast aluminum specifically alloyed for outdoor environments. The percussion panel consist of 2 Conga Drums with PP tubes and top in colored ABS.



KOMPAN GreenLine versions are designed with ultimate environmentally friendly materials with lowest possible CO2e emission factor such as EcoCore™ panels of +95% post consumer recycled ocean waste.

| Item no. PCM004221-0901  |  |
|--------------------------|--|
| Installation Information |  |
| Max. fall height         | 0 cm   |
| Safety surfacing area    | 0.0 m <sup>2</sup>   |
| Total installation time  | 2.5  |
| Excavation volume        | 0.05 m <sup>3</sup>  |
| Concrete volume          | 0.00 m <sup>3</sup>  |
| Footing depth (standard) | 85 cm  |
| Shipment weight          | 57 kg  |
| Anchoring options        | Surface <input checked="" type="checkbox"/><br>In-ground <input checked="" type="checkbox"/> |
| Warranty Information     |  |
| EcoCore HDPE             | Lifetime   |
| Hot dip galvanised steel | Lifetime   |
| Movable parts            | 2 years  |
| Post                     | 10 years   |
| Spare parts guaranteed   | 10 years   |

| Elevated activities | Accessible elevated activities | Accessible ground level activities | Accessible ground level play types |
|---------------------|--------------------------------|------------------------------------|------------------------------------|
| Present             |                                |                                    |                                    |
| Required            |                                |                                    |                                    |

# Sustainability Data

PCM004221



| Cradle to Gate A1-A3  | Total CO <sub>2</sub> emission | CO <sub>2</sub> e/kg    | Recycled materials |
|-----------------------|--------------------------------|-------------------------|--------------------|
|                       | kg CO <sub>2</sub> e           | kg CO <sub>2</sub> e/kg | %                  |
| <b>PCM004221-0950</b> | 61.29                          | 1.36                    | 78.37              |
| <b>PCM004221-0901</b> | 73.74                          | 1.88                    | 69.78              |

The overall framework applied for these factors is the Environmental Product Declaration (EPD), which quantifies "environmental information on the life cycle of a product and enable comparisons between products fulfilling the same function" (ISO, 2006). This follows the structure and applies a Life-Cycle Assessment approach to the entire Product stage from raw material through manufacturing (A1-A3))

**Kompan A/S**  
 C.F. Tietgens Boulevard 32C  
 DK-5220 Odense SØ  
 Denmark



## Verification of CO<sub>2</sub> calculation of: Themed play systems



Data version no. 2023-10-05

The CO<sub>2</sub> calculation and data are in compliance with the principles of a carbon footprint impact according to the GHG protocol (Greenhouse Gas Protocol), Scope 3, cradle to gate related to all individual components in the product category: "Themed play systems" represented by item no.: MSC641100-3717P.

(Scope 3 emissions include emission sources in the upstream and downstream value chain).

**Date: 30. October 2023 | Valid until: 30. October 2025**

Verified by:

Julie Marie Vejsgaard Larsen, LCA & EPD Consultant

Verification based on report: Validation of CO<sub>2</sub> calculation of 9 categories of Kompan product line, version 1.0, prepared by: Bureau Veritas HSE, Denmark: Julie M. V. Larsen.

**Publication date: 30. October 2023**

By Bureau Veritas HSE  
 www.bureauveritas.dk  
 +45 7731 1000

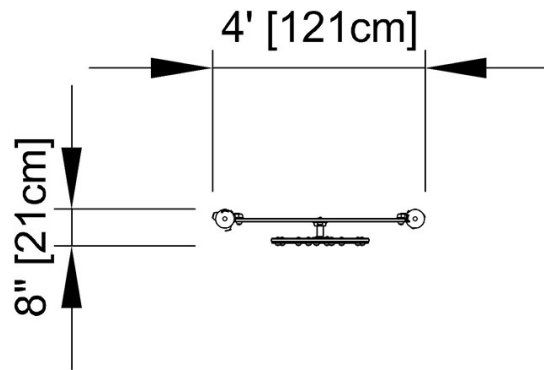


# Play Panel High - Maze

PCM004221

\* Max fall height | \*\* Total height | \*\*\* Safety surfacing area

\* Max fall height | \*\* Total height



PCM004221  
\*\* 3'-6" / 106cm



PCM004224

[Click to see TOP VIEW](#)

[Click to see SIDE VIEW](#)