

Saturn Carousel, 4 seats

GXY958

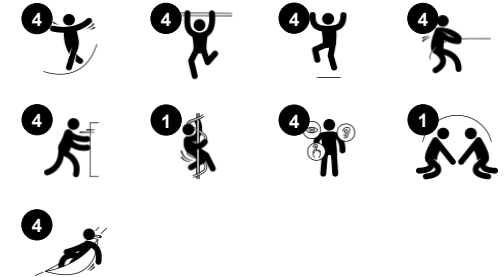
KOMPANI
Let's play



Item no. GXY958000-3817

General Product Information

Dimensions LxWxH	316x316x253 cm
Age group	6+
Play capacity (users)	4
Colour options	●



When playing on this large overhead rotating carousel with 4 seats, you need to use your strength and hold your balance! This seems to be the best way to describe the kind of play that takes place on the Saturn Carousel. This play equipment includes both physical skills like muscle and cardio whilst strengthening bone density when you jump off and arm, leg,

and core muscles when helping friends to spin. It also supports social skills through cooperation and teamwork as well as providing a hang-out place for chatting while gently spinning.

Saturn Carousel, 4 seats

GXY958



0

Physical: the rotation develops the sense of balance and space, children use their muscle strength and strengthen their cardio. **Social-Emotional:** listening and negotiating how slow or fast to go, children develop empathy and cooperation skills.



PUR covered rope

Physical: firm grip when spinning and hanging from arms. Arm muscles developed when held tight.



Teardrop handle

Physical: develops upper body muscles, when pulling yourself up or hanging from your arms.



Dino seat

Physical: the three divisions and chains of the seat provide efficient handholds for both standing and seated swinging. **Social-Emotional:** the possibility of children swinging together, legs hanging down, trains cooperation, sequencing and turn-taking when swinging.

Saturn Carousel, 4 seats

GXY958



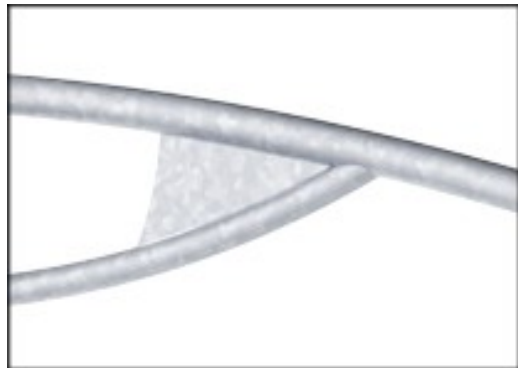
Saturn ropes are manufactured from a with a six-stranded steel wire core that is tightly wrapped with PES yarn which is melted onto each strand. A second surface coat of harder PES is also applied, to ensure the rope is highly durable and vandalism-resistant.



The specially designed seat is made from a stainless-steel insert covered with a soft layer of PUR rubber. The seat is impact tested to comply with global playground standards, and the rope has an ergonomic handhold of a 100cm long moulded on PUR rubber handle.



The two angled top handles are made of a moulded PP insert with a soft outer layer of TPV rubber. The handle is attached to the pipe with a galvanised steel inlay to ensure strength and durability.



The steel surfaces are hot-dip galvanised inside and outside with lead-free zinc. The galvanisation has excellent corrosion resistance in outside environments and requires low maintenance.



Heavy-duty engineered bearing system with single row deep groove ball bearings with rubber seals. The fully closed bearing has lifetime lubricated and maintenance free.

Item no. GXY958000-3817

Installation Information

Max. fall height	150 cm
Safety surfacing area	186.3 m ²
Total installation time	4.1
Excavation volume	1.20 m ³
Concrete volume	0.80 m ³
Footing depth (standard)	100 cm
Shipment weight	237 kg
Anchoring options	In-ground ✓ Surface ✓

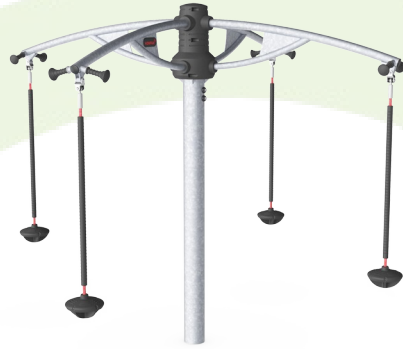
Warranty Information

Bearing Construction	5 years
Galvanised Steel	Lifetime
PUR Components	10 years
Ropes & Nets	10 years
Spare Parts Guarantee	10 years



Sustainability Data

GXY958



Cradle to Gate A1-A3	Total CO ₂ emission	CO ₂ e/kg	Recycled materials
	kg CO ₂ e	kg CO ₂ e/kg	%
GXY958000-3817	585.81	2.77	45.44

The overall framework applied for these factors is the Environmental Product Declaration (EPD), which quantifies "environmental information on the life cycle of a product and enable comparisons between products fulfilling the same function" (ISO, 2006). This follows the structure and applies a Life-Cycle Assessment approach to the entire Product stage from raw material through manufacturing (A1-A3))

Kompan A/S
 C.F. Tietgens Boulevard 32C
 DK-5220 Odense SØ
 Denmark



Verification of CO₂ calculation of: Freestanding play equipment



Data version no. 2023-10-05

The CO₂ calculation and data are in compliance with the principles of a carbon footprint impact according to the GHG protocol (Greenhouse Gas Protocol), Scope 3, cradle to gate related to all individual components in the product category: "Freestanding play equipment" represented by item no.: GXY916012-3417.

(Scope 3 emissions include emission sources in the upstream and downstream value chain).

Date: 30. October 2023 | Valid until: 30. October 2025

Verified by:

Julie Marie Vejsgaard Larsen, LCA & EPD Consultant

Verification based on report: Validation of CO₂ calculation of 9 categories of Kompan product line, version 1.0, prepared by: Bureau Veritas HSE, Denmark: Julie M. V. Larsen.

Publication date: 30. October 2023

By Bureau Veritas HSE
 www.bureauveritas.dk
 +45 7731 1000

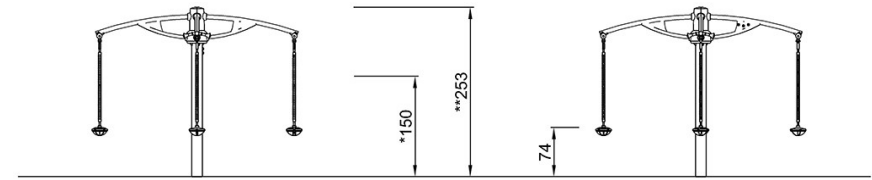
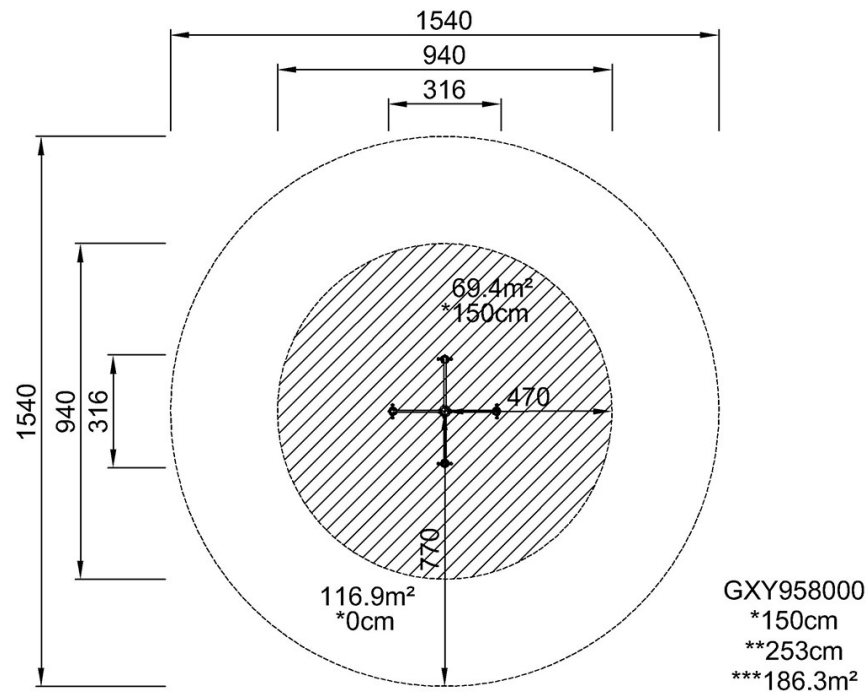


Saturn Carousel, 4 seats

GXY958

* Max fall height | ** Total height | *** Safety surfacing area

* Max fall height | ** Total height



[Click to see TOP VIEW](#)

[Click to see SIDE VIEW](#)