

Grove Trail

CRP200101



Item no. CRP200101-0901

General Product Information

| | |
|-----------------------|---|
| Dimensions LxWxH | 311x96x217 cm |
| Age group | 2+ |
| Play capacity (users) | 4 |
| Color options |    |



The Grove Trail's slalom-style, bouncy crossed ropes make for a bouncy, thrilling crossing. The criss-cross traverses through the trail train motor skills such as balance, cross-body coordination and proprioception, which are all fundamental for the child's body confidence, and ability to navigate the surroundings confidently. These movements and motor skills

are the basis for understanding space, shapes and measures which are necessary in mathematics. As children balance over the Grove Trail, they will need to cooperate and negotiate with friends going in the opposite direction, to pass them. This is great training of social skills, the most important skill for happiness.



Grove Trail

CRP200101



Slalom Net Bridge

Physical: all muscles are used to hold tight when crossing the bridge. Balance, coordination and spatial awareness are stimulated, which support the ability to navigate securely in space. **Social-**

Emotional: turn-taking and cooperation when passing each other. **Cognitive:** cause and effect understanding is supported by the bouncing effect of others' movements.



Grove Trail

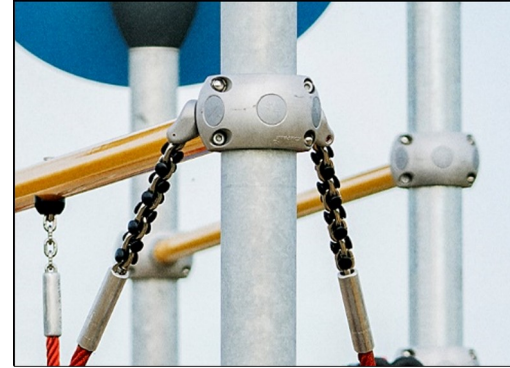
CRP200101



Ropes of UV-stabilized PES rope strands with inner steel cable reinforcement. The polyester yarn is made from +95% post-consumer materials and is inductively melted onto each strand.



Corocord 'S' clamps are used as universal connections in Corocord products. 8mm stainless steel rods with rounded edges are pressed around the ropes with a special hydraulic press, making them the ideal connector: safe, durable and vandalism-proof, all while allowing the typical movement of rope play structures.



Corocord smart clamps are carefully designed in every detail to ensure superior flexibility in high quality aluminum material. The smart clamps are attached around the posts with four steel bolts. Not used attachment points are closed with PA caps.



The steel surfaces are hot dip galvanised inside and outside with lead free zinc. The galvanisation has excellent corrosion resistance in outside environments and requires low maintenance.



All decks are supported by a unique steel construction with multiple deck supports and fixations. The HPL decks with a thickness of 17.8mm have a very high wearing strength and feature a unique KOMPAN non skid surface texture.



The support frame is $\varnothing 48.3 \times 4$ mm, carbon steel, with a hot-dip galvanised surface according to ISO1461, and a powder coating corrosion class C3 according to ISO12944-2. Lead content for surfaces are below 90ppm.

Item no. CRP200101-0901

Installation Information

| | |
|--------------------------|--------------------------|
| Max. fall height | 38 cm |
| Safety surfacing area | 22.2 m ² |
| Total installation time | 5.5 |
| Excavation volume | 0.60 m ³ |
| Concrete volume | 0.33 m ³ |
| Footing depth (standard) | 90 cm |
| Shipment weight | 192 kg |
| Anchoring options | In-ground ✓ Surface ✓ |

Warranty Information

| | |
|--------------------------|----------|
| Corocord rope | 10 years |
| EcoCore HDPE | Lifetime |
| Hot dip galvanised steel | Lifetime |
| PP Decks | 10 years |
| Spare parts guaranteed | 10 years |

**EN
1176**
compliant

Sustainability Data

CRP200101



| Cradle to Gate A1-A3 | Total CO ₂ emission | CO ₂ e/kg | Recycled materials |
|----------------------|--------------------------------|-------------------------|--------------------|
| | kg CO ₂ e | kg CO ₂ e/kg | % |
| CRP200101-0901 | 430.82 | 3.69 | 45.16 |

The overall framework applied for these factors is the Environmental Product Declaration (EPD), which quantifies "environmental information on the life cycle of a product and enable comparisons between products fulfilling the same function" (ISO, 2006). This follows the structure and applies a Life-Cycle Assessment approach to the entire Product stage from raw material through manufacturing (A1-A3))

Kompan A/S
 C.F. Tietgens Boulevard 32C
 DK-5220 Odense SØ
 Denmark



Verification of CO₂ calculation of: Corocord



Data version no. 2023-10-05

The CO₂ calculation and data are in compliance with the principles of a carbon footprint impact according to the GHG protocol (Greenhouse Gas Protocol), Scope 3, cradle to gate related to all individual components in the product category: "Corocord" represented by item no.: COR314011-1101.

(Scope 3 emissions include emission sources in the upstream and downstream value chain).

Date: 30. October 2023 | Valid until: 30. October 2025

Verified by:

Julie Marie Vejsgaard Larsen, LCA & EPD Consultant

Verification based on report: Validation of CO₂ calculation of 9 categories of Kompan product line, version 1.0, prepared by: Bureau Veritas HSE, Denmark: Julie M. V. Larsen.

Publication date: 30. October 2023

By Bureau Veritas HSE
 www.bureauveritas.dk
 +45 7731 1000

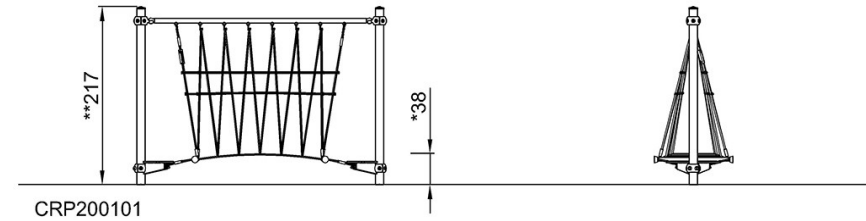
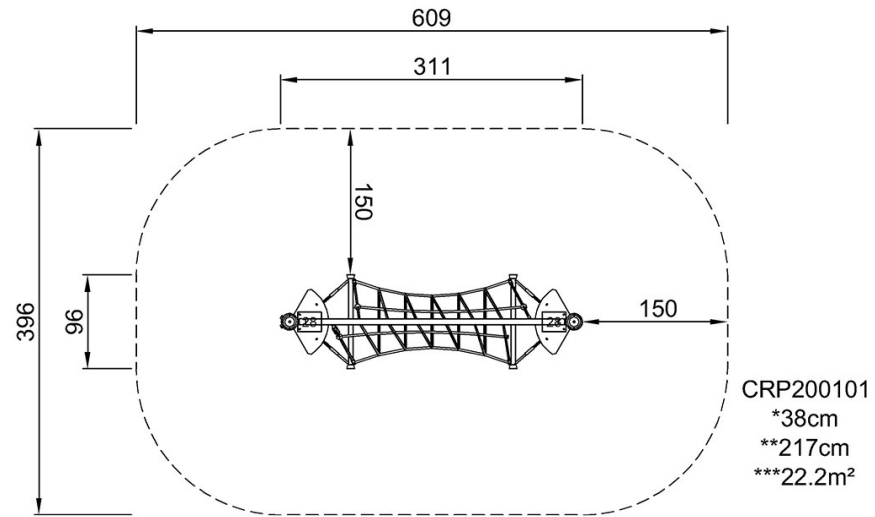


Grove Trail

CRP200101

* Max fall height | ** Total height | *** Safety surfacing area

* Max fall height | ** Total height



[Click to see TOP VIEW](#)

[Click to see SIDE VIEW](#)