

MADISON SQUARE Double Meeting Point

PCX701

Item no. PCX701-0901

General Product Information

Dimensions LxWxH	330x115x173 cm
Age group	5 - 12
Play capacity (users)	4
Colour options	  



This meeting point allows for groups of children having a break while seated in the setting. The space allows groups of different sizes to meet, interact and socialize. As it is always popular within school age children to hang out in bigger groups with their friends, and this meeting point will automatically attract teenagers to join the playground. The varied framework of benches

with and without roof and back support allow for different sorts of seating positions and cater to users of various ages and abilities. By attracting bigger groups, this space invites many children to socialize and interact, particularly children with different ages and abilities This will support their ability to learn about themselves, others and the world around

them when sharing and listening.



MADISON SQUARE Double Meeting Point

PCX701



Roof, back support and side panel
Social-Emotional: creates room for being together.



Multiple benches
Social-Emotional: meeting, sharing, and having a break in a transparent setting.

MADISON SQUARE Double Meeting Point

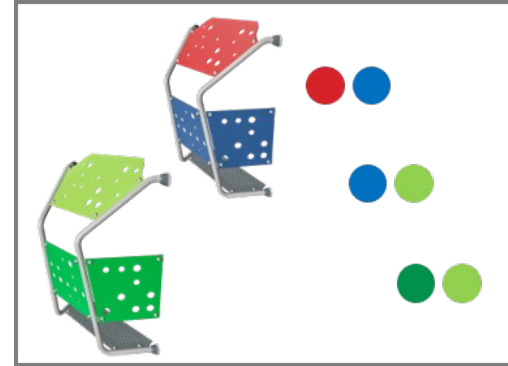
PCX701



All steel components are made of high quality materials. The posts have an alloy with improved tensile and yield strength according to the NYCP material specification. The painted aluminum post caps are riveted to the top of the post.



All panels and one-piece welded steel grids are made of low carbon steel and corrosion treated by hot dip galvanization or metallization with a minimum thickness according to NYCP material specification.



The product is designed in three different standard colour combinations: Red and dark blue, Lime green and dark blue, Lime green and green. The layouts of the play structures can be customized through the KOMPAN Variant Team.

Item no. PCX701-0901	
Installation Information	
Max. fall height	0 cm
Safety surfacing area	0.0 m ²
Total installation time	6.6
Excavation volume	0.11 m ³
Concrete volume	0.05 m ³
Footing depth (standard)	85 cm
Shipment weight	259 kg
Anchoring options	In-ground ✓
Warranty Information	
EcoCore HDPE	Lifetime
HDG post	Lifetime
HPL decks	15 years
Ropes & nets	10 years
Spare parts guaranteed	10 years

Elevated activities 0	Accessible elevated activities	Accessible ground level activities	Accessible ground level play types
Present	0	3	1
Required	0	1	1

**CSA
Z614**
compliant

Sustainability Data

PCX701



Cradle to Gate A1-A3	Total CO ₂ emission	CO ₂ e/kg	Recycled materials
	kg CO ₂ e	kg CO ₂ e/kg	%
PCX701-0901	676.30	3.50	48.30

The overall framework applied for these factors is the Environmental Product Declaration (EPD), which quantifies "environmental information on the life cycle of a product and enable comparisons between products fulfilling the same function" (ISO, 2006). This follows the structure and applies a Life-Cycle Assessment approach to the entire Product stage from raw material through manufacturing (A1-A3))

Kompan A/S
 C.F. Tietgens Boulevard 32C
 DK-5220 Odense SØ
 Denmark



Verification of CO₂ calculation of: Play systems



Data version no. 2023-10-05

The CO₂ calculation and data are in compliance with the principles of a carbon footprint impact according to the GHG protocol (Greenhouse Gas Protocol), Scope 3, cradle to gate related to all individual components in the product category: "Play systems" represented by item no.: PCM200321-0950.

(Scope 3 emissions include emission sources in the upstream and downstream value chain).

Date: 30. October 2023 | Valid until: 30. October 2025

Verified by:

Julie Marie Vejsgaard Larsen, LCA & EPD Consultant

Verification based on report: Validation of CO₂ calculation of 9 categories of Kompan product line, version 1.0, prepared by: Bureau Veritas HSE, Denmark: Julie M. V. Larsen.

Publication date: 30. October 2023

By Bureau Veritas HSE
 www.bureauveritas.dk
 +45 7731 1000

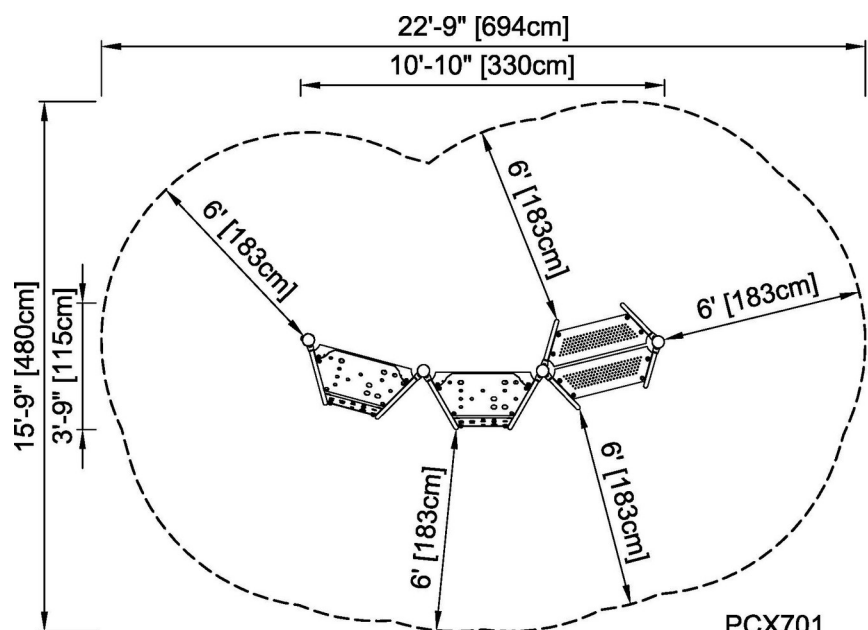


MADISON SQUARE Double Meeting Point

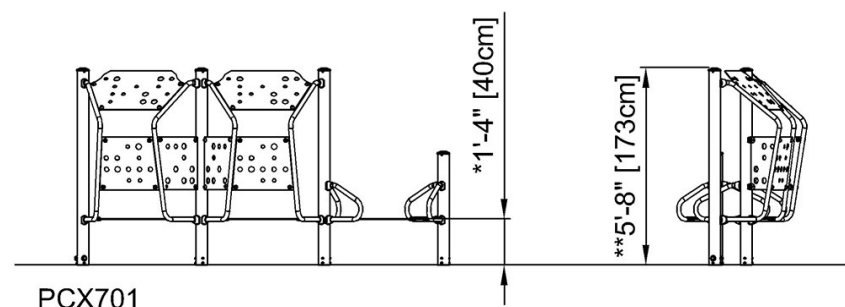
PCX701

* Max fall height | ** Total height | *** Safety surfacing area

* Max fall height | ** Total height



PCX701
* 1'-4" / 40cm
** 5'-8" / 173cm
*** 287ft² / 26.7m²



PCX701

[Click to see TOP VIEW](#)

[Click to see SIDE VIEW](#)