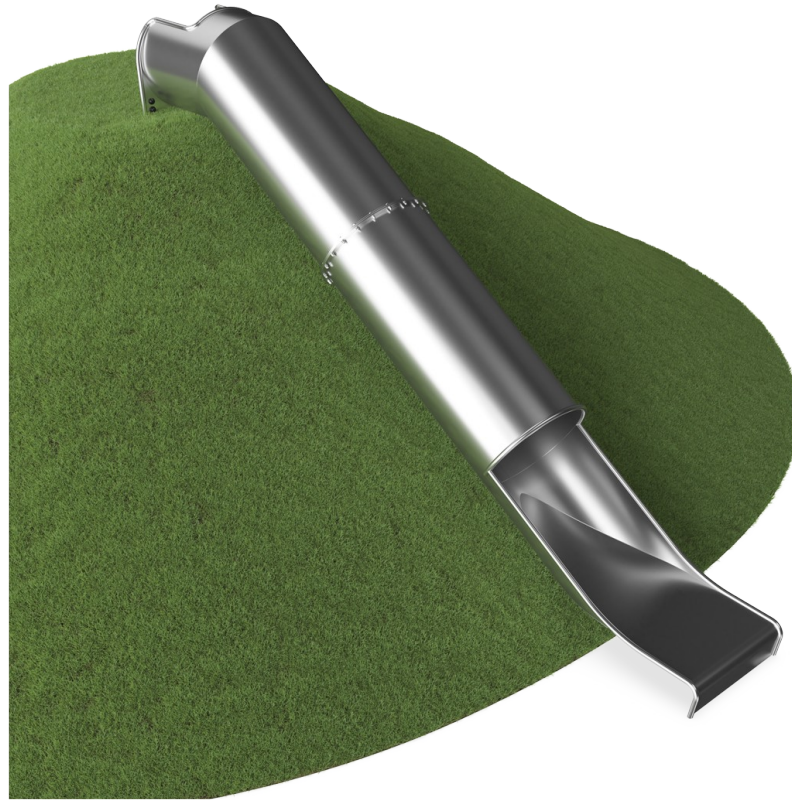


Embankment Tunnel Slide, 8 ft

COR71007

KOMPANI
Let's play



Item no. COR710071-0400	
General Product Information	
Dimensions LxWxH	16'9"x2'9"x2'7"
Age group	2 - 12
Play capacity (users)	2
Color options	●



The Embankment Tunnel Slide is extremely attractive. It makes children loop uphill and slide down again and again. The Embankment Tunnel Slide could be the main attraction in a playground. Apart from the immense thrill of sliding, the Embankment Tunnel Slide also gives children support in developing important motor skills. Children train the sense of space

and balance. These are important when managing the world securely to avoid falls and accidents. Collecting the courage to go down into the tunnel adds a sweet sensation of achievement when sliding the Embankment Tunnel Slide. This is a social-emotional benefit, which is further enhanced by the cooperation and turn-taking skills that children develop

when entering. The width of the slide invites rides with friends. The slide mouth is extra long to add a feeling of security.



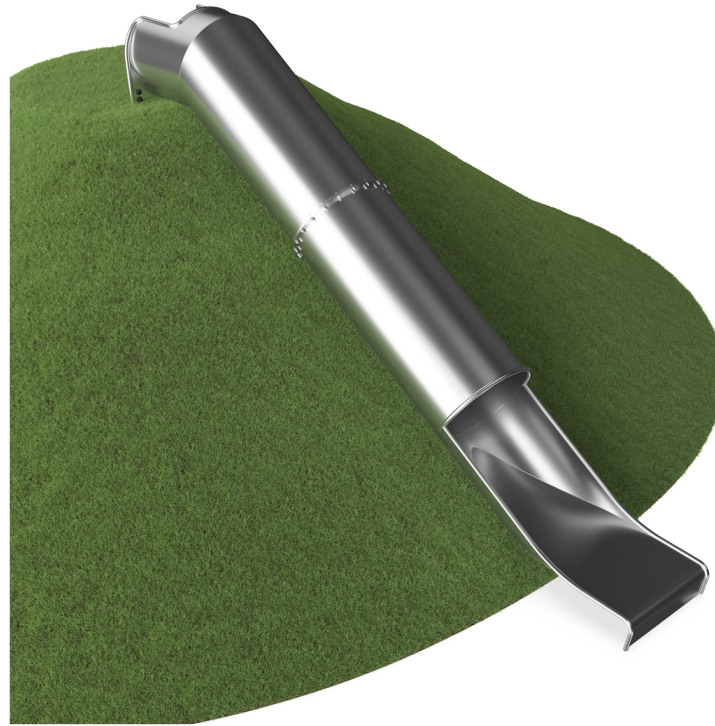
Embankment Tunnel Slide, 8 ft

COR71007



Tube slide

Physical: sliding develops spatial awareness and a sense of balance. Furthermore, the core muscles are trained when sitting upright going down. **Social-Emotional:** thrill when going down fast. Empathy stimulated by turn-taking. **Cognitive:** young children train their understanding of space, speed and distances when sliding down quickly.



Embankment Tunnel Slide, 8 ft

COR71007



At 35°, the slide is set to the optimum angle to ensure both gliding fun and safety.



Catering to different terrains, the embankment slides are available in 9 lengths from 1 - 3m.

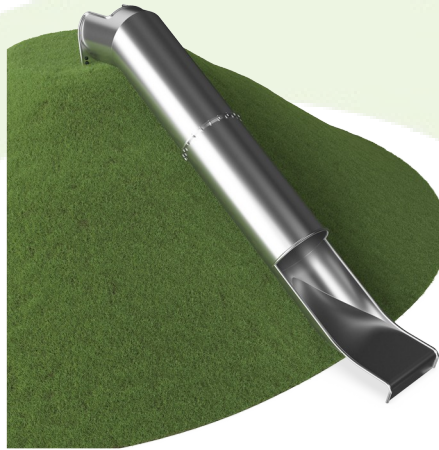
Item no. COR710071-0400	
Installation Information	
Max. fall height	3'4"
Safety surfacing area	168ft ²
Total installation time	7.0
Excavation volume	0.92yd ³
Concrete volume	0.47yd ³
Footing depth (standard)	3'3"
Shipment weight	757lbs
Anchoring options	In-ground ✓
Warranty Information	
Spare Parts Availability	10 Years
Stainless steel slide	10 Years

Elevated activities 0	Accessible elevated activities	Accessible ground level activities	Accessible ground level play types
Present	0	1	1
Required	0	1	1



Sustainability Data

COR71007



Cradle to Gate A1-A3	Total CO ₂ emission	CO ₂ e/kg	Recycled materials
	kg CO ₂ e	kg CO ₂ e/kg	%
COR710071-0400	1,552.79	4.19	49.98

The overall framework applied for these factors is the Environmental Product Declaration (EPD), which quantifies "environmental information on the life cycle of a product and enable comparisons between products fulfilling the same function" (ISO, 2006). This follows the structure and applies a Life-Cycle Assessment approach to the entire Product stage from raw material through manufacturing (A1-A3))

Kompan A/S
 C.F. Tietgens Boulevard 32C
 DK-5220 Odense SØ
 Denmark



Verification of CO₂ calculation of: Corocord



Data version no. 2023-10-05

The CO₂ calculation and data are in compliance with the principles of a carbon footprint impact according to the GHG protocol (Greenhouse Gas Protocol), Scope 3, cradle to gate related to all individual components in the product category: "Corocord" represented by item no.: COR314011-1101.

(Scope 3 emissions include emission sources in the upstream and downstream value chain).

Date: 30. October 2023 | Valid until: 30. October 2025

Verified by:

Julie Marie Vejsgaard Larsen, LCA & EPD Consultant

Verification based on report: Validation of CO₂ calculation of 9 categories of Kompan product line, version 1.0, prepared by: Bureau Veritas HSE, Denmark: Julie M. V. Larsen.

Publication date: 30. October 2023

By Bureau Veritas HSE
 www.bureauveritas.dk
 +45 7731 1000

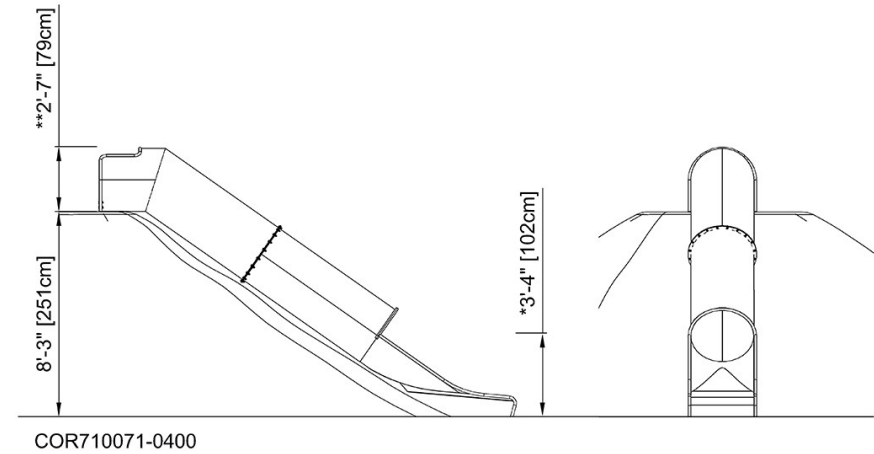
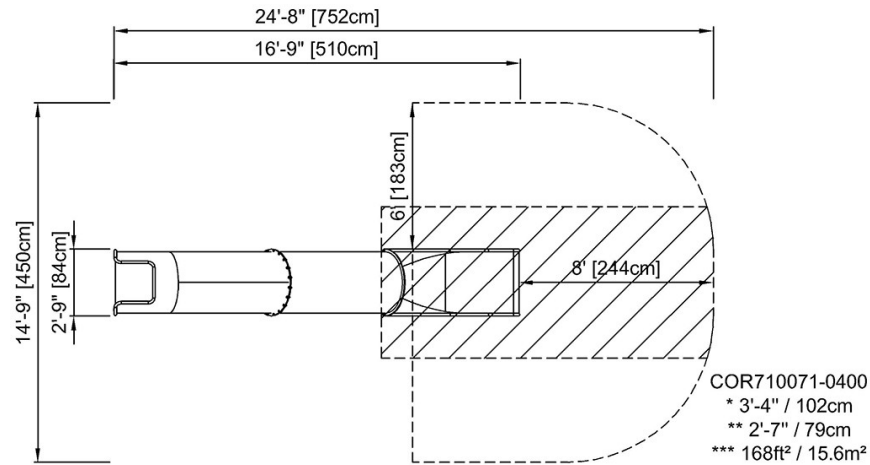


Embankment Tunnel Slide, 8 ft

COR71007

* Max fall height | ** Total height | *** Safety surfacing area

* Max fall height | ** Total height



[Click to see TOP VIEW](#)

[Click to see SIDE VIEW](#)