

# Seesaw with Tyres, Four Seats

KPL118

Item no. KPL118-0602

## General Product Information

Dimensions LxWxH	412x38x101 cm
Age group	3+
Play capacity (users)	4
Color options	



The Seesaw 4 Seats is a playground classic. It still attracts players again and again, as it has for generations. The archaic play event is still with us for a reason: the tickling in the stomach when going up high, going down fast is eternally appealing. The Seesaw 4 Seats develops the sense of space and rhythm and leg muscles of children. These are crucial

motor skills that help children navigate the world securely, e.g. in the street when estimating time, movement and objects. The social dimension and degree of trust in your peer that is demanded when seesawing, is great training of social-emotional life skills such as turn-taking and cooperation. With four users, empathy is trained, too. Players will

need to consider others' limits and limitations. Especially in groups of four, the seesawing is a fantastic social play event.



# Seesaw with Tyres, Four Seats

KPL118



Seat is made of HPL with a thickness of 17.8mm with a very high wearing strength and a unique KOMPAN nonskid surface texture.



Coloured steel components has a base of hot dip galvanisation and a powder coated top finish. This provides an ultimate corrosion resistance in all climates around the world.



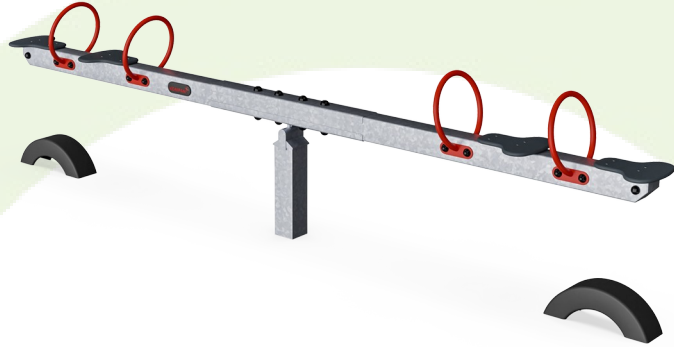
The steel surfaces are hot dip galvanized inside and outside with lead free zinc. The galvanization has excellent corrosion resistance in outside environments and requires low maintenance.

Item no. KPL118-0602	
Installation Information	
Max. fall height	118 cm
Safety surfacing area	13.7 m <sup>2</sup>
Total installation time	4.0
Excavation volume	0.36 m <sup>3</sup>
Concrete volume	0.15 m <sup>3</sup>
Footing depth (standard)	70 cm
Shipment weight	110 kg
Anchoring options	In-ground ✓



# Sustainability Data

KPL118



Cradle to Gate A1-A3	Total CO <sub>2</sub> emission	CO <sub>2</sub> e/kg	Recycled materials
	kg CO <sub>2</sub> e	kg CO <sub>2</sub> e/kg	%
<b>KPL118-0602</b>	210.30	1.93	55.90

The overall framework applied for these factors is the Environmental Product Declaration (EPD), which quantifies "environmental information on the life cycle of a product and enable comparisons between products fulfilling the same function" (ISO, 2006). This follows the structure and applies a Life-Cycle Assessment approach to the entire Product stage from raw material through manufacturing (A1-A3))

**Kompan A/S**  
 C.F. Tietgens Boulevard 32C  
 DK-5220 Odense SØ  
 Denmark



## Verification of CO<sub>2</sub> calculation of: Freestanding play equipment



Data version no. 2023-10-05

The CO<sub>2</sub> calculation and data are in compliance with the principles of a carbon footprint impact according to the GHG protocol (Greenhouse Gas Protocol), Scope 3, cradle to gate related to all individual components in the product category: "Freestanding play equipment" represented by item no.: GXY916012-3417.

(Scope 3 emissions include emission sources in the upstream and downstream value chain).

**Date: 30. October 2023 | Valid until: 30. October 2025**

**Verified by:**

Julie Marie Vejsgaard Larsen, LCA & EPD Consultant

Verification based on report: Validation of CO<sub>2</sub> calculation of 9 categories of Kompan product line, version 1.0, prepared by: Bureau Veritas HSE, Denmark: Julie M. V. Larsen.

**Publication date: 30. October 2023**

**By Bureau Veritas HSE**  
 www.bureauveritas.dk  
 +45 7731 1000

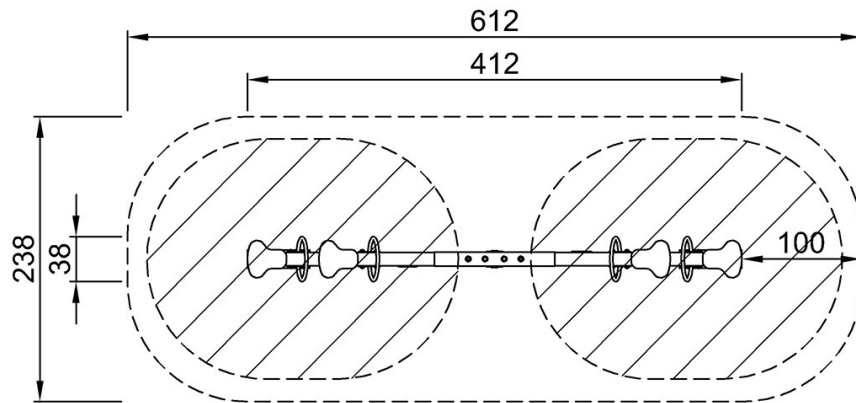


# Seesaw with Tyres, Four Seats

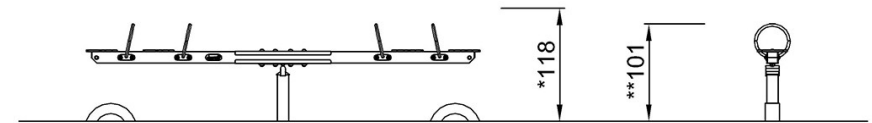
KPL118

\* Max fall height | \*\* Total height | \*\*\* Safety surfacing area

\* Max fall height | \*\* Total height



KPL118  
\*118cm  
\*\*101cm  
\*\*\*13.7m<sup>2</sup>



KPL118

[Click to see TOP VIEW](#)

[Click to see SIDE VIEW](#)