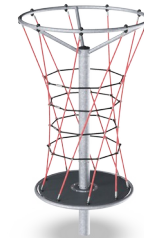
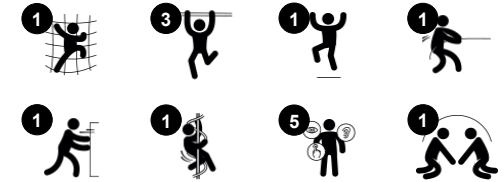


# Net Twister

COR20301



Item no. COR203011-1101	
<b>General Product Information</b>	
Dimensions LxWxH	5'1"x5'1"x9'2"
Age group	5 - 12
Play capacity (users)	10
Color options	

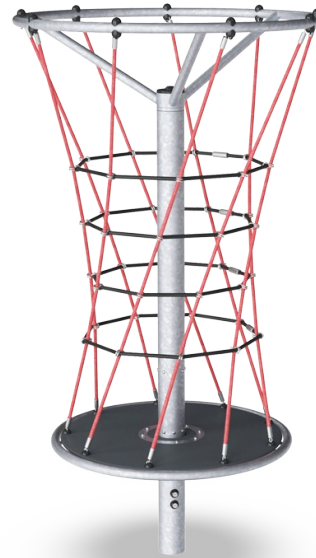


The Net Twister's vertical ropes attract children to play and climb to the top. The Net Twister provides play for children of different ages encouraging social play across different age groups. It's a particular favorite for older children who love challenging play as it is a perfect meeting place where they can stand, sit and chat while spinning. When climbing to the

top, down and around, pushing and pulling the Net Twister and then jumping off, children develop their motor skills, balance, muscle strength and bone density. The cooperation and negotiation of who does what to spin the Net Twister trains social-emotional skills such as taking turns, tolerance and empathy. This is the playful way to important life skills.

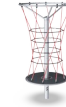
# Net Twister

COR20301



## Height

**Social-Emotional:** children develop courage and self-regulation when being up high. This positively impacts self-confidence.



## Rotation

**Physical:** pushing or pulling into motion, children use their muscle strength and their cardio. The rotation develops the sense of balance and space when enjoying the ride.  
**Social-Emotional:** listening and negotiating how slow or fast to go, children develop empathy and cooperation skills.



## Climbing net

**Physical:** the net allow for climbing and crawling, supporting proprioception, cross-coordination and spatial awareness. Climbing here takes muscle strength, pushing and pulling arms to get upwards. **Social-Emotional:** the net allows more children to sit together, sharing.



## Big meshes

**Physical:** the big meshes allow for climbing and crawling, supporting proprioception, cross-coordination and spatial awareness. Climbing here takes muscle strength, pushing and pulling arms to get upwards. **Social-Emotional:** allow more children being seated together, sharing.

# Net Twister

COR20301



Corocord ropes with 19mm diameter or more are special 'Hercules' - type with galvanized six-stranded steel wires. Each strand is tightly wrapped with PES yarn, which is melted onto each individual strand. The ropes are highly wear-and vandalism-resistant and can be replaced at site if needed.



Corocord 'S' clamps are used as universal connections in Corocord products. 8mm stainless steel rods with rounded edges are pressed around the ropes with a special hydraulic press, making them the ideal connector: safe, durable and vandalism-proof, all while allowing the typical movement of rope play structures.



Heavy duty engineered bearing system with single row deep groove ball bearings with rubber seals. The fully closed bearing construction is lifetime lubricated and maintenance free. The bearing system has an integrated drag brake according to global safety standards.

Item no. COR203011-1101	
Installation Information	
Max. fall height	9'2"
Safety surfacing area	573ft <sup>2</sup>
Total installation time	7.5
Excavation volume	1.44yd <sup>3</sup>
Concrete volume	0.92yd <sup>3</sup>
Footing depth (standard)	3'7"
Shipment weight	783lbs
Anchoring options	In-ground ✓
Warranty Information	
Corocord Rope	10 Years
Hot dip galvanized steel	Lifetime
HPL decks	15 Years
Movable parts	2 Years
Spare Parts Availability	10 Years



All decks are supported by a unique steel construction with multiple deck supports and fixations. The HPL decks with a thickness of 17.8mm have a very high wearing strength and feature a unique KOMPAN non skid surface texture.



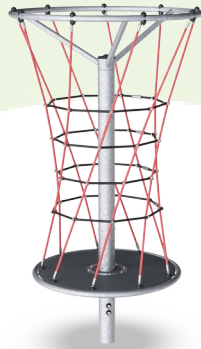
The steel posts are hot dip galvanized inside and outside with lead free zinc. The galvanization has excellent corrosion resistance in outside environments and requires low maintenance.

Elevated activities 0	Accessible elevated activities	Accessible ground level activities	Accessible ground level play types
Present	0	1	1
Required	0	1	1



# Sustainability Data

COR20301



Cradle to Gate A1-A3	Total CO <sub>2</sub> emission	CO <sub>2</sub> e/kg	Recycled materials
	kg CO <sub>2</sub> e	kg CO <sub>2</sub> e/kg	%
<b>COR203011-1101</b>	677.91	2.71	45.25

The overall framework applied for these factors is the Environmental Product Declaration (EPD), which quantifies "environmental information on the life cycle of a product and enable comparisons between products fulfilling the same function" (ISO, 2006). This follows the structure and applies a Life-Cycle Assessment approach to the entire Product stage from raw material through manufacturing (A1-A3))

**Kompan A/S**  
 C.F. Tietgens Boulevard 32C  
 DK-5220 Odense SØ  
 Denmark



## Verification of CO<sub>2</sub> calculation of: Corocord



Data version no. 2023-10-05

The CO<sub>2</sub> calculation and data are in compliance with the principles of a carbon footprint impact according to the GHG protocol (Greenhouse Gas Protocol), Scope 3, cradle to gate related to all individual components in the product category: "Corocord" represented by item no.: COR314011-1101.

(Scope 3 emissions include emission sources in the upstream and downstream value chain).

**Date: 30. October 2023 | Valid until: 30. October 2025**

**Verified by:**

Julie Marie Vejsgaard Larsen, LCA & EPD Consultant

Verification based on report: Validation of CO<sub>2</sub> calculation of 9 categories of Kompan product line, version 1.0, prepared by: Bureau Veritas HSE, Denmark: Julie M. V. Larsen.

**Publication date: 30. October 2023**

**By Bureau Veritas HSE**  
 www.bureauveritas.dk  
 +45 7731 1000

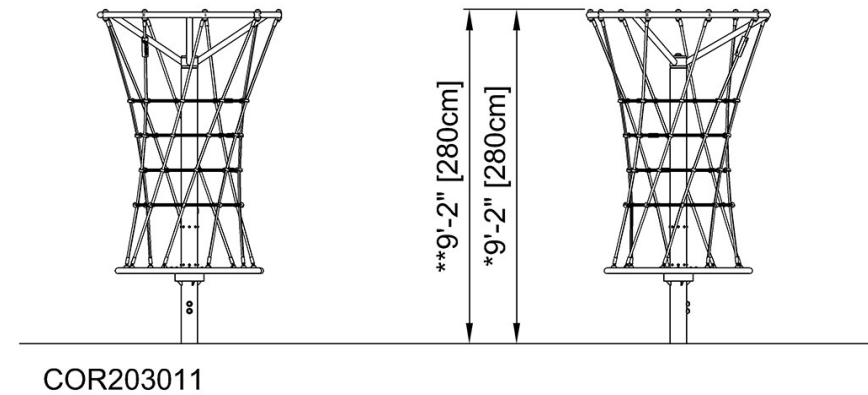
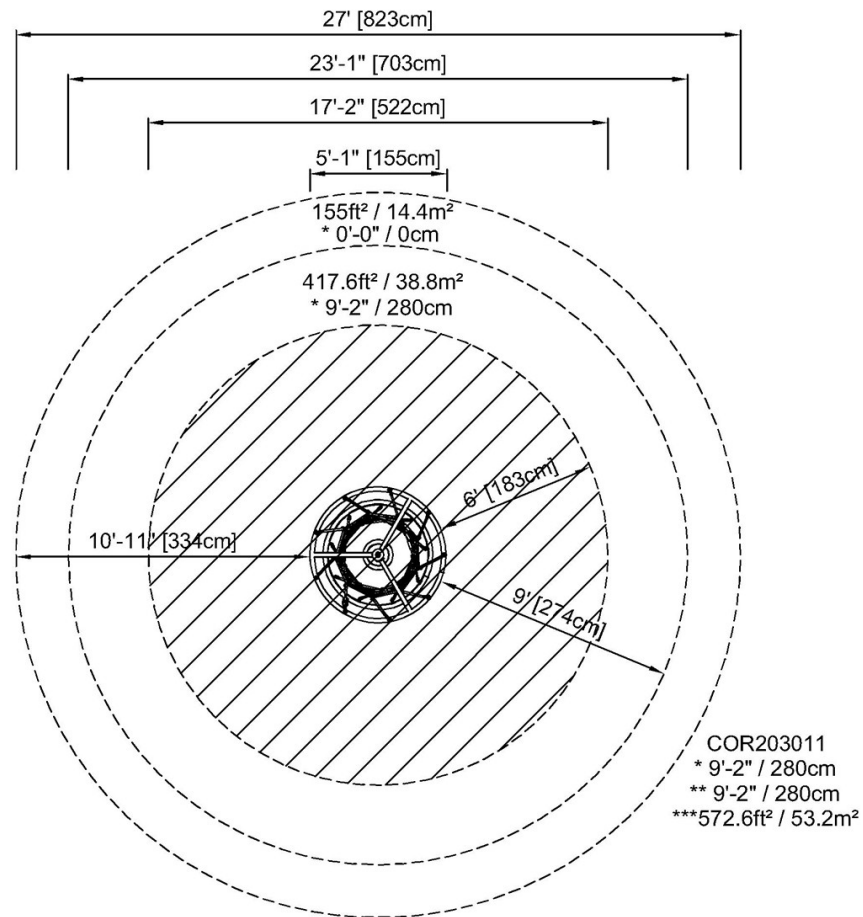


# Net Twister

COR20301

\* Max fall height | \*\* Total height | \*\*\* Safety surfacing area

\* Max fall height | \*\* Total height



[Click to see TOP VIEW](#)

[Click to see SIDE VIEW](#)