
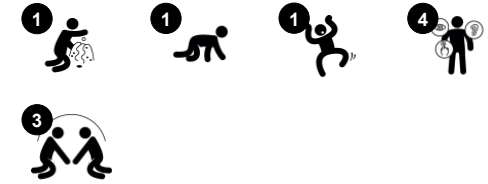


Labyrinth, 2 Rooms

M63272



Item no. M63272-3213P	
General Product Information	
Dimensions LxWxH	187x116x137 cm
Age group	6m+
Play capacity (users)	6
Colour options	



Toddlers do have more fun! Labyrinth, 2 rooms will provide hours of fun for young children. Children will enjoy moving their bodies in and out as well as around and around the structure. This is welcomed by the thoughtfully placed rubber knee-protectors placed in the crawl-through openings. These support important physical as well as spatial skills. The 360

design also supports social interactions through window and door spaces as well as through peek-a-boo holes. The cooperation going on here supports the development of social-emotional skills. Open-ended sensory elements such as the megaphone stimulate the understanding of cause and effect, stimulating cognitive development.



Labyrinth, 2 Rooms

M63272



Theme

Cognitive: suggests a theme and supports dramatic play, which stimulates language and communication skills.



Desk

Social-Emotional: fine meeting place and a space creator. Sharing and cooperation from both sides to create a social scenario that supports communication and cooperation.



Bench

Social-Emotional: gathering, cooperating or taking a break from play - all train social skills.



Megaphone

Social-Emotional: inspires communication and turn-taking skills. **Cognitive:** distortion of sound evokes curiosity and stimulates an understanding of cause and effect.



Crawl-through hole

Physical: the hole allows for climbing and crawling through, developing cross coordination, proprioception and spatial awareness. **Social-Emotional:** cooperation and turn-taking when passing one another. **Cognitive:** understanding space, shape and measures when seeing if the body can fit through the hole.

Labyrinth, 2 Rooms

M63272



Panels of 19mm EcoCore™. EcoCore™ is a highly durable, eco-friendly material, which is not only recyclable after use but also consists of a core produced from 100% recycled material.

Bench and floors are made of HPL with a thickness of 17,8mm with a very high wearing strength and a unique KOMPAN non-skid surface texture.



Play activities like the megaphone are made of injection moulded high-quality nylon (PA6) which has excellent wearing and impact strength and is UV stabilised.

Item no. M63272-3213P

Installation Information

Max. fall height	27 cm
Safety surfacing area	17.4 m ²
Total installation time	6.8
Excavation volume	0.04 m ³
Concrete volume	0.00 m ³
Footing depth (standard)	40 cm
Shipment weight	187 kg
Anchoring options	In-ground ✓ Surface ✓

Warranty Information

EcoCore HDPE	Lifetime
HPL Decks	15 years
Movable Parts	2 years
Spare Parts Guarantee	10 years



Edge protection is made of PUR. It retains its properties in the temperature range of -30°C to 60°C. Material is UV stabilised.



Sustainability Data

M63272



Cradle to Gate A1-A3	Total CO ₂ emission	CO ₂ e/kg	Recycled materials
	kg CO ₂ e	kg CO ₂ e/kg	%
M63272-3213P	173.46	1.30	72.06

The overall framework applied for these factors is the Environmental Product Declaration (EPD), which quantifies "environmental information on the life cycle of a product and enable comparisons between products fulfilling the same function" (ISO, 2006). This follows the structure and applies a Life-Cycle Assessment approach to the entire Product stage from raw material through manufacturing (A1-A3))

Kompan A/S
C.F. Tietgens Boulevard 32C
DK-5220 Odense SØ
Denmark



Verification of CO₂ calculation of: Themed play systems



Data version no. 2023-10-05

The CO₂ calculation and data are in compliance with the principles of a carbon footprint impact according to the GHG protocol (Greenhouse Gas Protocol), Scope 3, cradle to gate related to all individual components in the product category: "Themed play systems" represented by item no.: MSC641100-3717P.

(Scope 3 emissions include emission sources in the upstream and downstream value chain).

Date: 30. October 2023 | Valid until: 30. October 2025

Verified by:

Julie Marie Vejsgaard Larsen, LCA & EPD Consultant

Verification based on report: Validation of CO₂ calculation of 9 categories of Kompan product line, version 1.0, prepared by: Bureau Veritas HSE, Denmark: Julie M. V. Larsen.

Publication date: 30. October 2023

By Bureau Veritas HSE
www.bureauveritas.dk
+45 7731 1000

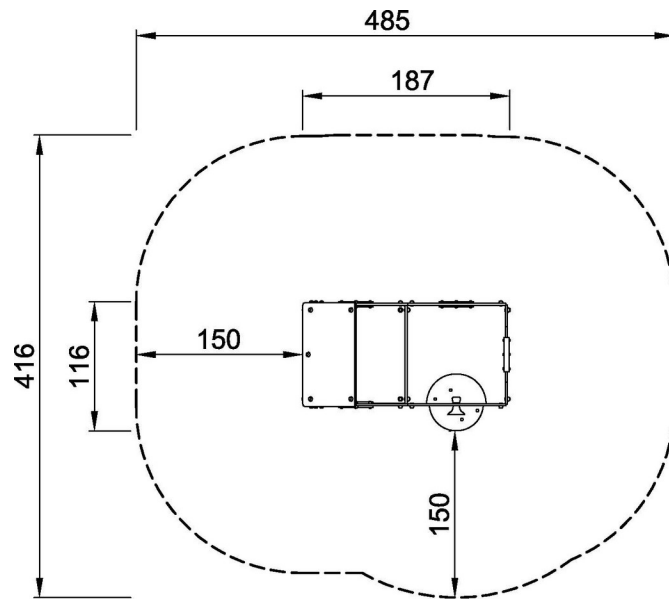


Labyrinth, 2 Rooms

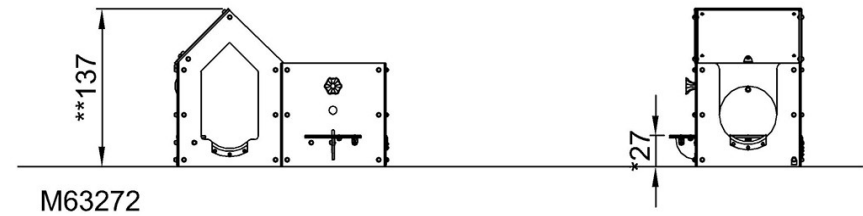
M63272

* Max fall height | ** Total height | *** Safety surfacing area

* Max fall height | ** Total height



M63272-xx13P
*27cm
**137cm
***17.4m²



[Click to see TOP VIEW](#)

[Click to see SIDE VIEW](#)