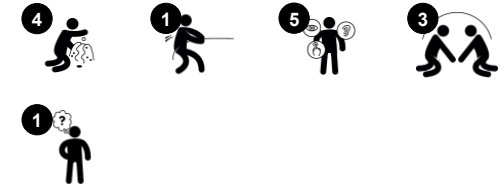


# Toddler Oasis with Sand Desk

NRO523



Item no. NRO523-0621	
General Product Information	
Dimensions LxWxH	249x198x210 cm
Age group	1+
Play capacity (users)	6
Colour options	



The great Toddler Oasis with Sand Desk absorbs children in construction play for hours and hours, again and again. The podium is roomy and can be played from all sides. This allows for more children in action, in spite of the small foot-print. The Sand Desk is the main attraction: the sieve and tube in each their way leads sand to the ground level. This is an

eternal source of wonder for young children. It develops their understanding of object permanence: that things don't necessarily cease to exist, when you cannot see them anymore. For cognitive development this is fundamental. The shovels can work horizontally or vertically, transporting material from side to side or up and down. This trains spatial

awareness as children communicate and negotiate their explorative play adventures, building social skills.



# Toddler Oasis with Sand Desk

NRO523



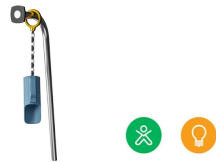
## Funnel

**Social-Emotional:** trains cooperation and turn-taking as children put materials into the funnel. **Cognitive:** the passing of materials through funnels supports the children's logical thinking and for younger children the understanding of object permanence: that materials don't vanish but run through at the other end.



## Sand desk with bowl and sieve

**Social-Emotional:** children can gather and store materials, cooperate and take a break together. **Creative:** sand can be shifted through the sieve, for understanding of cause and effect and object permanence.



## Sand shovel

**Physical:** develops dexterity and upper body muscles. **Cognitive:** understanding of object permanence, emptying and filling scoop.



## Lower platform

**Physical:** climbing up, jumping down develops muscle and motor skills such as coordination, which are important in navigating your body securely through the world. **Social-Emotional:** children can sit and talk together. The step helps children who need extra height to maneuver the tap and water channel.

# Toddler Oasis with Sand Desk

NRO523



All Organic Robinia products by KOMPAN are made of Robinia wood from sustainable European sources. On request it can be supplied as FSC® Certified (FSC® C004450).



The product/activities are preassembled from the factory to ensure all safety requirements are considered.



The paint used for coloured components is water based environmentally friendly with excellent UV resistance. The paint is in compliance with EN 71 Part 3.



The Robinia products are designed with a KOMPAN colour concept with a number of different standard colours. The wood can also be supplied as untreated or with brown painted with a pigment that maintains the wood colour.

Item no. NRO523-0621	
Installation Information	
Max. fall height	28 cm
Safety surfacing area	22.6 m <sup>2</sup>
Total installation time	9.1
Excavation volume	0.46 m <sup>3</sup>
Concrete volume	0.04 m <sup>3</sup>
Footing depth (standard)	63 cm
Shipment weight	444 kg
Anchoring options	In-ground ✓
Warranty Information	
Robinia wood	15 years
Ropes & nets	10 years
Spare parts guaranteed	10 years
Stainless steel components	Lifetime
Stainless steel components	Lifetime



# Sustainability Data

NRO523



Cradle to Gate A1-A3	Total CO <sub>2</sub> emission	CO <sub>2</sub> e/kg	Recycled materials
	kg CO <sub>2</sub> e	kg CO <sub>2</sub> e/kg	%
<b>NRO523-0621</b>	121.92	0.35	3.00

The overall framework applied for these factors is the Environmental Product Declaration (EPD), which quantifies "environmental information on the life cycle of a product and enable comparisons between products fulfilling the same function" (ISO, 2006). This follows the structure and applies a Life-Cycle Assessment approach to the entire Product stage from raw material through manufacturing (A1-A3))

**Kompan A/S**  
 C.F. Tietgens Boulevard 32C  
 DK-5220 Odense SØ  
 Denmark



## Verification of CO<sub>2</sub> calculation of: Nature play



Data version no. 2023-10-05

The CO<sub>2</sub> calculation and data are in compliance with the principles of a carbon footprint impact according to the GHG protocol (Greenhouse Gas Protocol), Scope 3, cradle to gate related to all individual components in the product category: "Nature play" represented by item no.: NRO409-0621.

(Scope 3 emissions include emission sources in the upstream and downstream value chain).

**Date: 30. October 2023 | Valid until: 30. October 2025**

**Verified by:**

Julie Marie Vejsgaard Larsen, LCA & EPD Consultant

Verification based on report: Validation of CO<sub>2</sub> calculation of 9 categories of Kompan product line, version 1.0, prepared by: Bureau Veritas HSE, Denmark: Julie M. V. Larsen.

**Publication date: 30. October 2023**

**By Bureau Veritas HSE**  
 www.bureauveritas.dk  
 +45 7731 1000

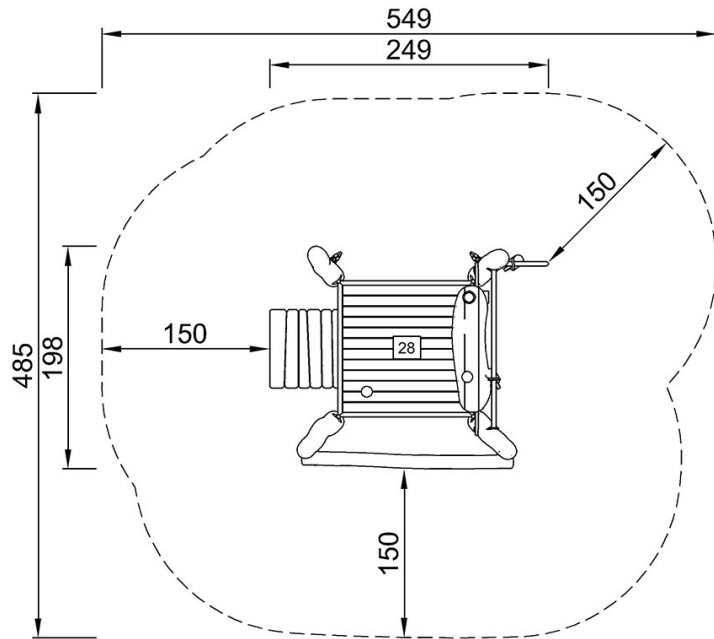


# Toddler Oasis with Sand Desk

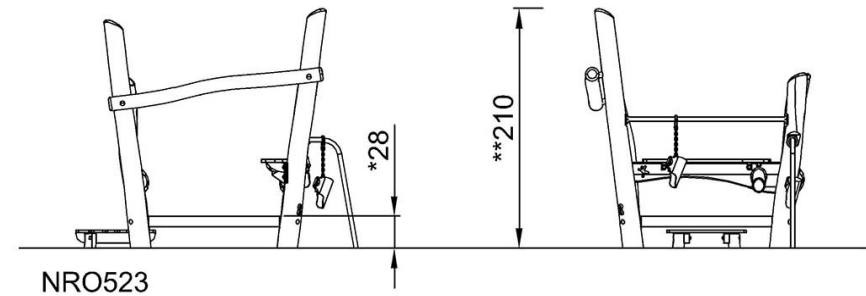
NRO523

\* Max fall height | \*\* Total height | \*\*\* Safety surfacing area

\* Max fall height | \*\* Total height



NRO523  
\*28cm  
\*\*210cm  
\*\*\*22.6m<sup>2</sup>



[Click to see TOP VIEW](#)

[Click to see SIDE VIEW](#)