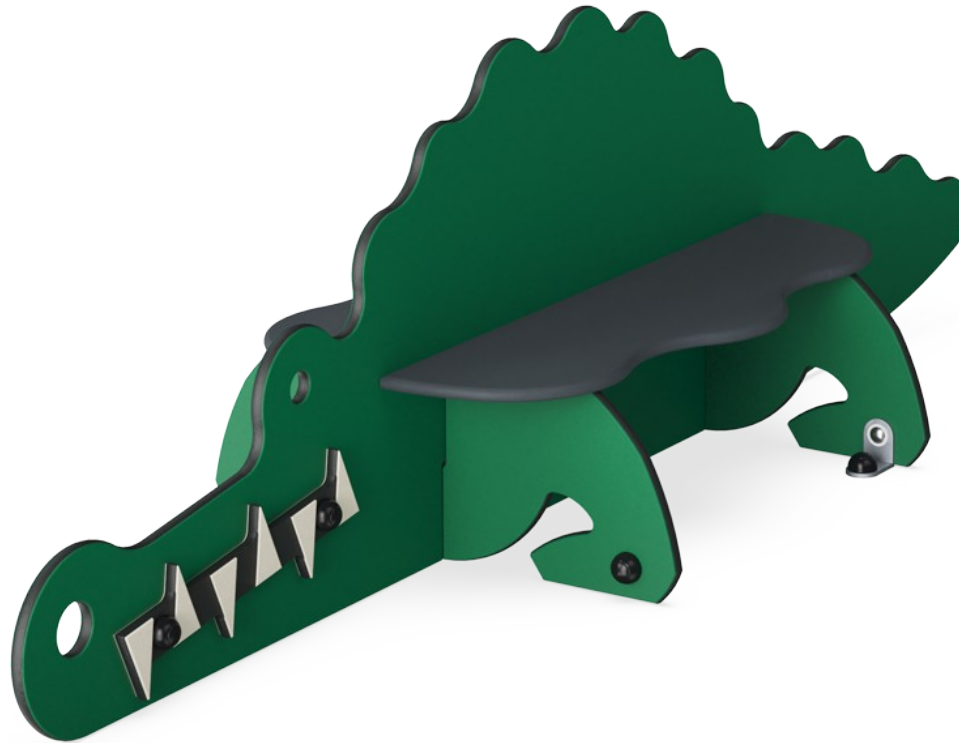



Crocodile Bench

M243



Item no. M24370-3418P	
General Product Information	
Dimensions LxWxH	2'4"x7'5"x2'2"
Age group	2 - 5
Play capacity (users)	4
Color options	



The Crocodile Bench is the playful solution for a rest for young children. They will delight in this friendly but fierce character that will support their active play, too. The crocodile supports social-emotional and physical skills for young children. The intentional design helps children to stay and play, which provides developmental benefits as well as thrilling fun!

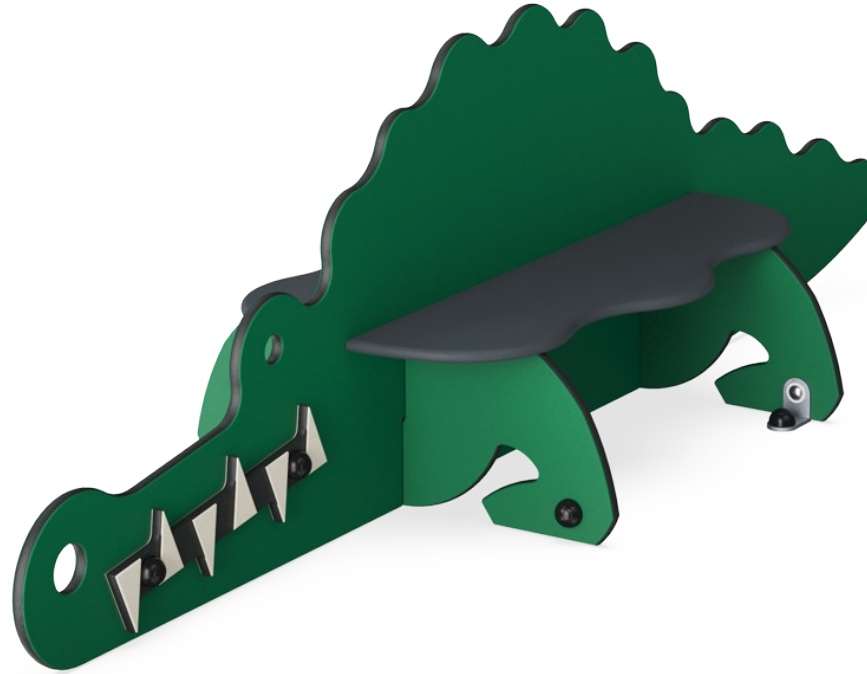
In addition to being a place to sit alone or with friends, the Crocodile supports friendship skills. The small holes stimulate exploration and provide children with opportunities to play peek-a-boo and other games. Infants will also enjoy moving around the Crocodile, and pulling themselves up to stand, they train important physical skills such as coordination and muscle

strength.



Crocodile Bench

M243



Theme

Cognitive: suggests a theme and supports dramatic play, which stimulates language and communication skills.



Bench

Social-Emotional: gathering, cooperating or taking a break from play all train social skills.

Crocodile Bench

M243



Panels of 19mm EcoCore™. EcoCore™ is a highly durable, eco friendly material, which is not only recyclable after use, but also consists of a core produced from 100% recycled material.

The seating area is made of HPL with a thickness 17.8 mm. KOMPAN HPL has high wearing strength to ensure long lifetime in all climates.

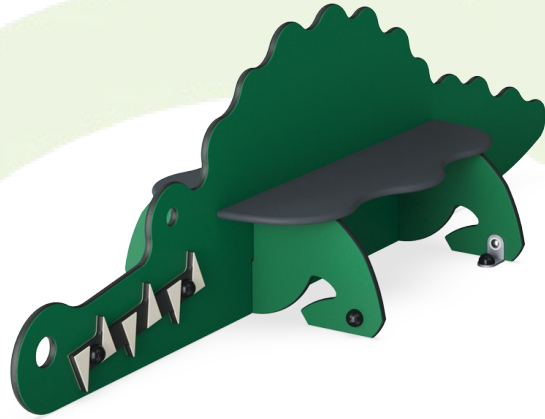
Item no. M24370-3418P	
Installation Information	
Max. fall height	0'0"
Safety surfacing area	0ft²
Total installation time	2.5
Excavation volume	0.12yd³
Concrete volume	0yd³
Footing depth (standard)	2'0"
Shipment weight	87lbs
Anchoring options	In-ground ✓ Surface ✓
Warranty Information	
EcoCore HDPE	Lifetime
HPL seat	15 Years
Spare Parts Availability	10 Years

Elevated activities 0	Accessible elevated activities	Accessible ground level activities	Accessible ground level play types
Present	0	1	1
Required	0	1	1



Sustainability Data

M243



Cradle to Gate A1-A3	Total CO ₂ emission	CO ₂ e/kg	Recycled materials
	kg CO ₂ e	kg CO ₂ e/kg	%
M24370-3418P	64.47	1.56	61.57

The overall framework applied for these factors is the Environmental Product Declaration (EPD), which quantifies "environmental information on the life cycle of a product and enable comparisons between products fulfilling the same function" (ISO, 2006). This follows the structure and applies a Life-Cycle Assessment approach to the entire Product stage from raw material through manufacturing (A1-A3))

Kompan A/S
C.F. Tietgens Boulevard 32C
DK-5220 Odense SØ
Denmark



Verification of CO₂ calculation of: Themed play systems



Data version no. 2023-10-05

The CO₂ calculation and data are in compliance with the principles of a carbon footprint impact according to the GHG protocol (Greenhouse Gas Protocol), Scope 3, cradle to gate related to all individual components in the product category: "Themed play systems" represented by item no.: MSC641100-3717P.

(Scope 3 emissions include emission sources in the upstream and downstream value chain).

Date: 30. October 2023 | Valid until: 30. October 2025

Verified by:

Julie Marie Vejsgaard Larsen, LCA & EPD Consultant

Verification based on report: Validation of CO₂ calculation of 9 categories of Kompan product line, version 1.0, prepared by: Bureau Veritas HSE, Denmark: Julie M. V. Larsen.

Publication date: 30. October 2023

By Bureau Veritas HSE
www.bureauveritas.dk
+45 7731 1000

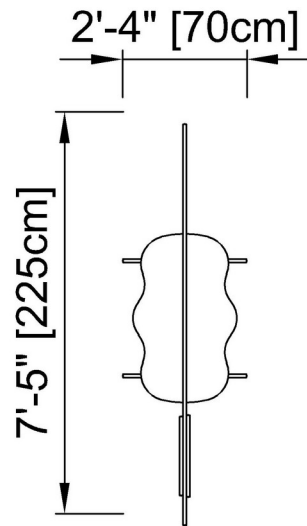


Crocodile Bench

M243

* Max fall height | ** Total height | *** Safety surfacing area

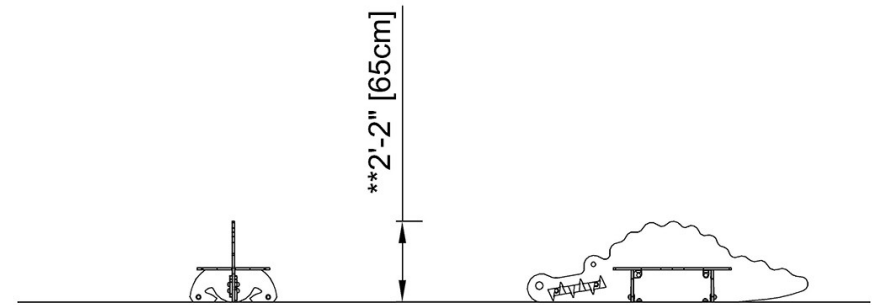
* Max fall height | ** Total height



M24370P

** 2'-2" / 65cm

[Click to see TOP VIEW](#)



M24370P

[Click to see SIDE VIEW](#)