

# Sit Up Bench Pro

FAZ606

**KOMPAN**  
Let's play



这款 Bench 采用符合人体工程学的腿部固定装置，有助于做腹部仰卧起坐，在不对腰部造成有害压力的情况下增强腹部肌肉的力量。

产品编号 FAZ60600-0001

## 产品信息概览

长宽高尺寸	44x153x93 cm
适用年龄段	13+
容纳人数	1
颜色选择	



查看 KOMPAN Fit 健身应用程序了解更多信息

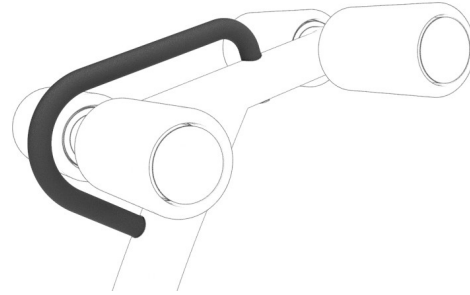


# Sit Up Bench Pro

FAZ606



The seat and back support are made of Polyurethane Rubber (PUR) and have an electro-galvanized steel insert plate that connects the seat to the steel frame. The seat and the back support are positioned under an 8-degree angle for the correct ergonomics. The back support has a groove to relieve the spine, accommodating a comfortable seating position, another benefit is that it drains water easily.



The bench has a support handle with a diameter of  $\varnothing 30\text{mm}$ . The support handle will make it easier to get on and off the bench and it will allow a variation in exercises. The grip powder coating, used on the support handle, is highly durable against wear and tear, offers isolation, and simultaneously gives users an outstanding grip during their workout.



All Steel components are made from carbon steel, with a hot-dip galvanized surface according to ISO1461, and a powder coating corrosion class C3 according to ISO12944-2. Lead content for surfaces is below 90ppm, and below 100ppm for base material.

产品编号 FAZ60600-0001

## 安装信息

最大跌落高度	93 cm
安全面积	13.7 m <sup>2</sup>
安装总时长	3.4
开挖量	0.00 m <sup>3</sup>
混凝土使用量	0.00 m <sup>3</sup>
标准入地深度	0 cm
运输重量	104 kg
固定选项	地表 ✓

## 质保信息

镀锌钢结构	终身质保
PUR 部件	10 年
承保零部件	10 年



The Grip Powdercoating, used on the support handle, is highly durable against wear and tear, offers isolation, and simultaneously gives users an outstanding grip during their workout.



The rotating rollers are  $\varnothing 110\text{mm}$  and made from PUR (Polyurethane Rubber, compact foam). The rollers have a steel insert that is electro galvanized. They provide support and ensure a comfortable position.



所有的 KOMPAN 健身产品都符合 ASTM F3101 & EN16630 户外健身标准。静态测试通过在 78 公斤的指定负载上增加动态因素和安全因素。设备为单人提供 420 公斤的承载力。



# Sustainability Data

FAZ606



## 从原材料到成品

CO<sub>2</sub> 排放总量

kg CO<sub>2</sub>e

CO<sub>2</sub> 排放量 / 千克

kg CO<sub>2</sub>e/kg

回收的原料

%

FAZ60600-0001

197.09

3.72

27.34

这些因素采用的总体框架为环保产品声明 (EPD), 该声明可量化“产品生命周期的环保信息, 并对相同功能的产品进行对比” (ISO, 2006)。在遵循该框架的同时, 对从原材料到制造的整个产品阶段 (A1-A3) 应用生命周期评估法。

### Kompan A/S

C.F. Tietgens Boulevard 32C  
DK-5220 Odense SØ  
Denmark



### Verification of CO<sub>2</sub> calculation of: Fitness



Data version no. 2023-10-05

The CO<sub>2</sub> calculation and data are in compliance with the principles of a carbon footprint impact according to the GHG protocol (Greenhouse Gas Protocol), Scope 3, cradle to gate related to all individual components in the product category: "Fitness" represented by item no.: FAZ10100-0900.

(Scope 3 emissions include emission sources in the upstream and downstream value chain).

Date: 30. October 2023 | Valid until: 30. October 2025

Verified by:

Julie Marie Vejsgaard Larsen, LCA & EPD Consultant

Verification based on report: Validation of CO<sub>2</sub> calculation of 9 categories of Kompan product line, version 1.0, prepared by: Bureau Veritas HSE, Denmark: Julie M. V. Larsen.

Publication date: 30. October 2023

By Bureau Veritas HSE  
www.bureauveritas.dk  
+45 7731 1000

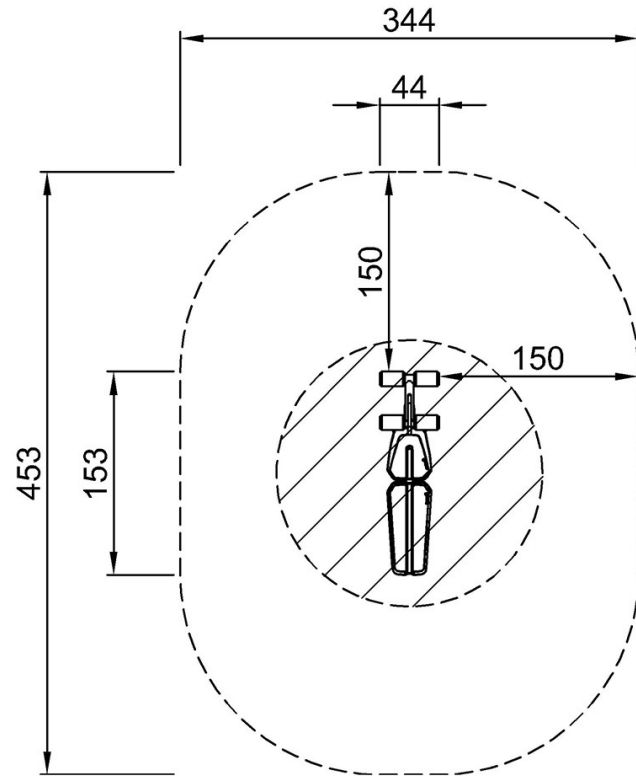


# Sit Up Bench Pro

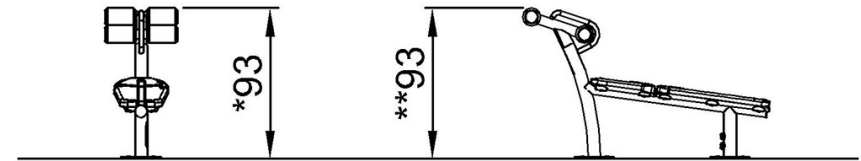
FAZ606

最大跌落高度 | 总高度 | 安全区域

最大跌落高度 | 总高度



FAZ60600  
\*93cm  
\*\*93cm  
\*\*\*13.7m<sup>2</sup>



FAZ60600

[点击查看俯视图](#)

[点击查看侧面图](#)