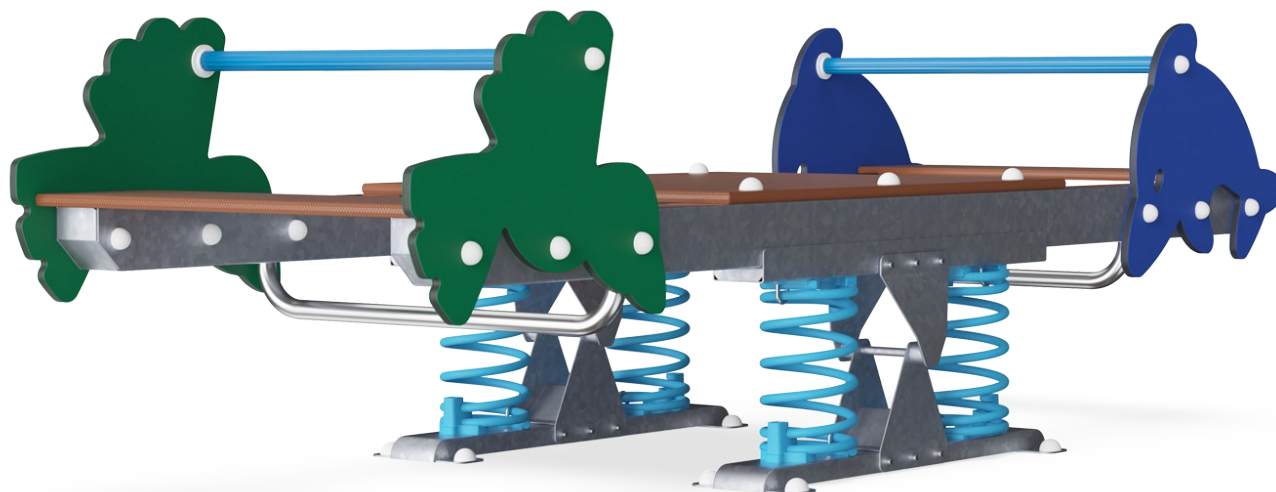


Multi Seesaw

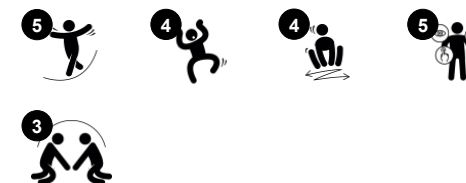
KPL116



Item no. KPL116-0412

General Product Information

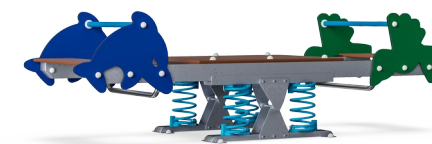
Dimensions LxWxH	108x301x90 cm
Age group	3+
Play capacity (users)	10
Color options	●



The Multi Seesaw motivates children to join in with play, rocking together. The spacious design and sturdy back and foot supports allow for many children of all abilities playing together. The risk seekers can stand on the middle platform securely, sensing the movement of the others. The spacious platform also allows for socializing, and children can lay

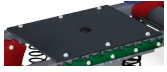
or sit. There is room enough for care givers too, making it inclusive. The seats at the end are big enough for older children as well as adults. The fun thrill of rocking, individually, in small or in big groups, will make children return for more. Rocking on the Multi Seesaw trains the children's muscles and motor skills, as well as their balance and coordination. The

spaciousness of the Multi Seesaw supports development of socio-emotional skills, e.g. cooperation, consideration and turn-taking. Toddlers experience cause-and-effect understanding.



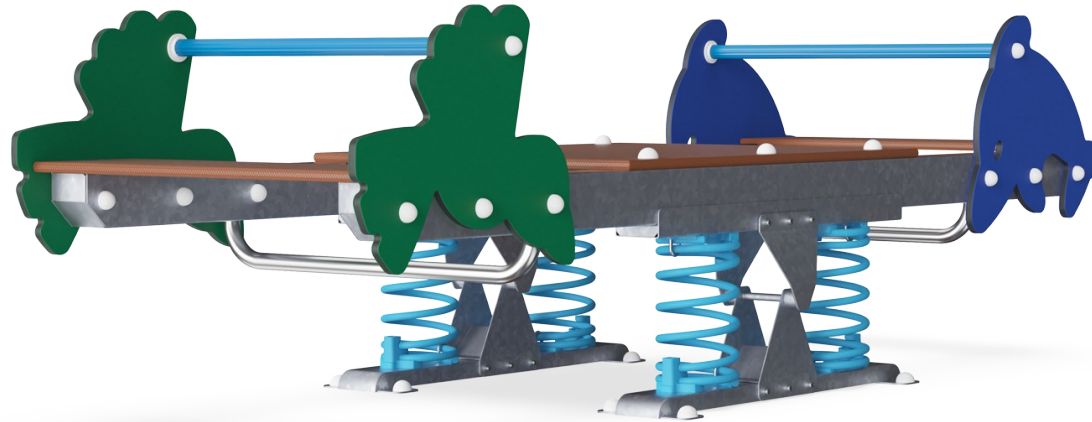
Multi Seesaw

KPL116



Center platform

Physical: supports agility, balance and coordination when standing, using leg and core muscles, building bone density when jumping. Facilitate sitting and lying also, allowing for users with disabilities. **Social-Emotional:** provides an inclusive space. Point for gathering and for care givers assisting. Teamwork and socializing when rocking together.



Rocking spring

Physical: response to movements adds to spatial awareness and sense of balance. These are fundamental motor skills that help the child's ability to sit still on a chair which takes a good sense of balance. **Cognitive:** trains the understanding of cause and effect: when I move my body, the spring responds with movement.



Double seating option

Social-Emotional: the possibility of two rocking together supports cooperation skills. Furthermore, the physical contact with others is great for the well-being of children, measurable in lower cortisol (stress hormone) levels.



Handhold

Physical: the vertical handgrips ensure a firm grip at different heights, necessary for rocking intensely. This trains hand and arm muscles.



Rocking together

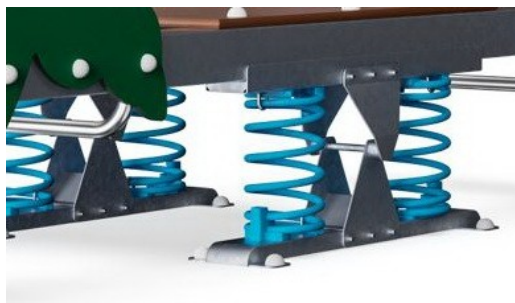
Social-Emotional: the possibility of rocking two together trains cooperation skills. Consideration of others when rocking.

Multi Seesaw

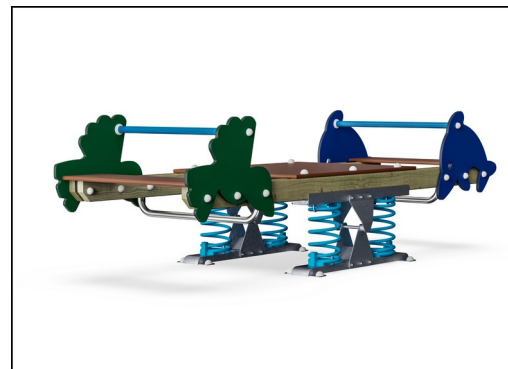
KPL116



Panels of 19mm EcoCore™. EcoCore™ is a highly durable, eco friendly material, which is not only recyclable after use, but also consists of material produced from +95% recycled post consumer material from food packing waste.



KOMPAN Springs are made of high quality spring steel according to EN10270. The springs are cleaned by phosphating before they are painted with an epoxy primer and a polyester powder coating as top finish. The springs are fixed by unique anti pinch fittings for maximum safety and long lifetime.



Beams are made of pine wood from sustainable European sources. The wood is pressure impregnated Class 3 with Tanalith E3475 according to EN335 (Equivalent to NTR Class AB).

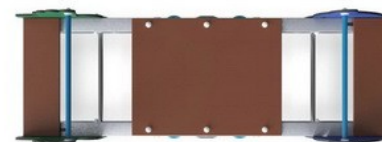
Item no. KPL116-0412	
Installation Information	
Max. fall height	100 cm
Safety surfacing area	16.4 m ²
Total installation time	6.8
Excavation volume	1.01 m ³
Concrete volume	0.00 m ³
Footing depth (standard)	42 cm
Shipment weight	220 kg
Anchoring options	In-ground ✓ Surface ✓



The steel surfaces are hot dip galvanised inside and outside with lead free zinc. The galvanisation has excellent corrosion resistance in outside environments and requires low maintenance.



Handles are made of polypropylene PP with excellent impact strength and usable within a large temperature span.

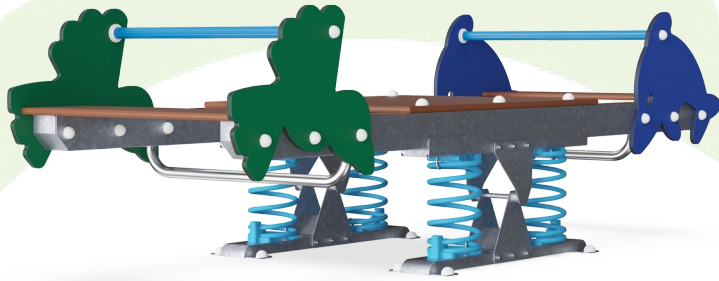


Seats and platform are made of 22 mm thick plywood made from alder and pine wood. Both sides are covered by 2 layers of phenolic film with anti slip net pattern. All cutting edges are sealed with paint to ensure long lifetime



Sustainability Data

KPL116



Cradle to Gate A1-A3	Total CO ₂ emission	CO ₂ e/kg	Recycled materials
	kg CO ₂ e	kg CO ₂ e/kg	%
KPL116-0412	492.08	2.32	39.95

The overall framework applied for these factors is the Environmental Product Declaration (EPD), which quantifies "environmental information on the life cycle of a product and enable comparisons between products fulfilling the same function" (ISO, 2006). This follows the structure and applies a Life-Cycle Assessment approach to the entire Product stage from raw material through manufacturing (A1-A3))

Kompan A/S
 C.F. Tietgens Boulevard 32C
 DK-5220 Odense SØ
 Denmark



Verification of CO₂ calculation of: Freestanding play equipment



Data version no. 2023-10-05

The CO₂ calculation and data are in compliance with the principles of a carbon footprint impact according to the GHG protocol (Greenhouse Gas Protocol), Scope 3, cradle to gate related to all individual components in the product category: "Freestanding play equipment" represented by item no.: GXY916012-3417.

(Scope 3 emissions include emission sources in the upstream and downstream value chain).

Date: 30. October 2023 | Valid until: 30. October 2025

Verified by:

Julie Marie Vejsgaard Larsen, LCA & EPD Consultant

Verification based on report: Validation of CO₂ calculation of 9 categories of Kompan product line, version 1.0, prepared by: Bureau Veritas HSE, Denmark: Julie M. V. Larsen.

Publication date: 30. October 2023

By Bureau Veritas HSE
 www.bureauveritas.dk
 +45 7731 1000

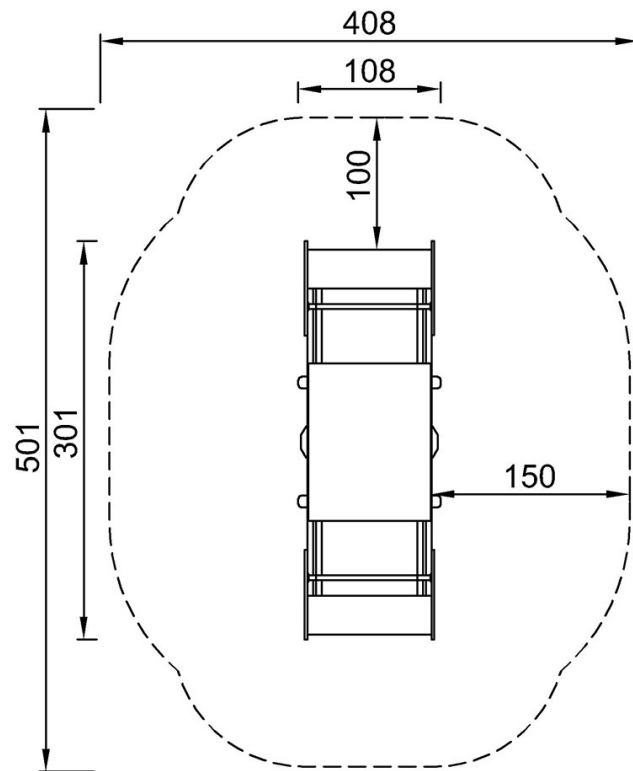


Multi Seesaw

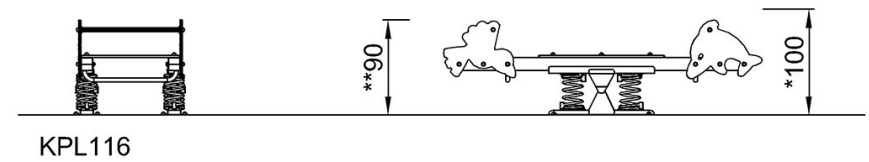
KPL116

* Max fall height | ** Total height | *** Safety surfacing area

* Max fall height | ** Total height



KPL116
*100cm
**90cm
***16,4m²



[Click to see TOP VIEW](#)

[Click to see SIDE VIEW](#)