

Stepping Pod, 300mm

M87402



Item no. M87402-3617	
General Product Information	
Dimensions LxWxH	28x28x30 cm
Age group	3+
Play capacity (users)	1
Colour options	●



The Stepping Pod, 300 mm appeals to children with the simple play message of The Earth is Lava. Placing more Stepping Pods, in various heights, adds to attraction. It invites jumping or balancing from one to the next. As an individual Stepping Pod, it can function as a sturdy seat and invite a break from play. The Stepping Pod invites less confident balancing acrobats also,

thanks to its sturdy rubber surface. When jumping up on and down from the Stepping Pod, children train their sense of balance. Balance is fundamental in confidently managing the body in its surroundings. This is important for instance when navigating street traffic safely. When jumping down, children additionally build bone density, as this is a build

up in weight bearing activity on a hard surface.



Data is subject to change without prior notice.

Stepping Pod, 300mm

M87402



Sturdy rubber surface

Physical: makes for a skid-resistant surface for jumping up and down, training muscle and motor skills and building bone density.



Stepping pod

Physical: young children learn how to alternate feet and balance. These are important for the proprioceptive and vestibular systems that help children navigate the world securely. Jumping down builds bone density and muscles.

Stepping Pod, 300mm

M87402



Stepping point is made of SBR rubber. It has good heat and abrasion resistance.

The steel surfaces are hot dip galvanised inside and outside with lead free zinc. The galvanisation has excellent corrosion resistance in outside environments and requires low maintenance.

Item no. M87402-3617	
Installation Information	
Max. fall height	30 cm
Safety surfacing area	8.4 m ²
Total installation time	0.5
Excavation volume	0.10 m ³
Concrete volume	0.03 m ³
Footing depth (standard)	80 cm
Shipment weight	19 kg
Anchoring options	In-ground ✓ Surface ✓
Warranty Information	
Hot dip galvanised steel	Lifetime
SBR rubber	2 years
Spare parts guaranteed	10 years



Sustainability Data

M87402



Cradle to Gate A1-A3	Total CO ₂ emission	CO ₂ e/kg	Recycled materials
	kg CO ₂ e	kg CO ₂ e/kg	%
M87402-3617	41.20	2.21	22.45

The overall framework applied for these factors is the Environmental Product Declaration (EPD), which quantifies "environmental information on the life cycle of a product and enable comparisons between products fulfilling the same function" (ISO, 2006). This follows the structure and applies a Life-Cycle Assessment approach to the entire Product stage from raw material through manufacturing (A1-A3))

Kompan A/S
 C.F. Tietgens Boulevard 32C
 DK-5220 Odense SØ
 Denmark



Verification of CO₂ calculation of: Freestanding play equipment



Data version no. 2023-10-05

The CO₂ calculation and data are in compliance with the principles of a carbon footprint impact according to the GHG protocol (Greenhouse Gas Protocol), Scope 3, cradle to gate related to all individual components in the product category: "Freestanding play equipment" represented by item no.: GXY916012-3417.

(Scope 3 emissions include emission sources in the upstream and downstream value chain).

Date: 30. October 2023 | Valid until: 30. October 2025

Verified by:

Julie Marie Vejsgaard Larsen, LCA & EPD Consultant

Verification based on report: Validation of CO₂ calculation of 9 categories of Kompan product line, version 1.0, prepared by: Bureau Veritas HSE, Denmark: Julie M. V. Larsen.

Publication date: 30. October 2023

By Bureau Veritas HSE
 www.bureauveritas.dk
 +45 7731 1000

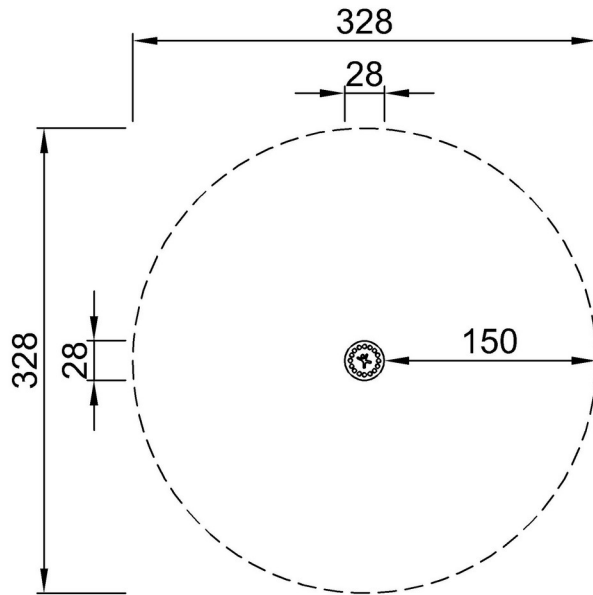


Stepping Pod, 300mm

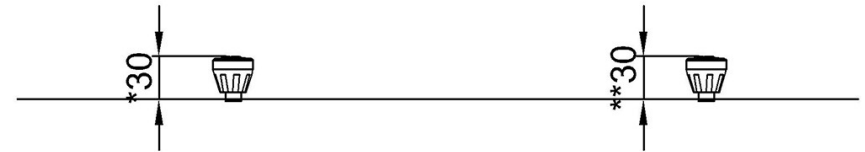
M87402

* Max fall height | ** Total height | *** Safety surfacing area

* Max fall height | ** Total height



M87402
*30cm
**30cm
***8.4m²



M87402

[Click to see TOP VIEW](#)

[Click to see SIDE VIEW](#)