

Forest Tower with Curly Climber


NRO1012

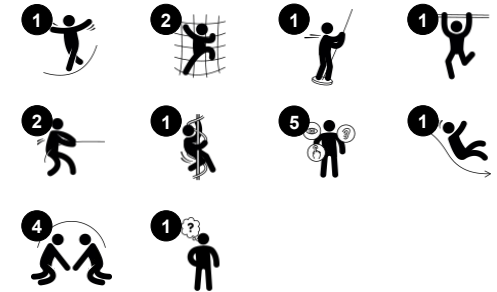
KOMPAN
Let's play



Play tower with organic roof & curly climber. Tower access by angled climbing net. Curly climber or slide exits. Below the panel there is a play counter. The product is available in 3 versions: 1: Untreated Robinia wood. 2: Brown oiled wood. 3: Combined color and untreated wood. The product is available as FSC® Certified (FSC® C004450) robinia wood

on request.

| | |
|------------------------------------|---|
| Item no. NRO1012-1021 | |
| General Product Information | |
| Dimensions LxWxH | 258x419x415 cm |
| Age group | 4+ |
| Play capacity (users) | 8 |
| Colour options |  |



Forest Tower with Curly Climber

NRO1012



Climbing net

Physical: the inclined net supports the upward climbing movement of the body. The net supports cross-body coordination, which impacts coordination of the right and left part of brain, fundamental for other skills such as the ability to read. The asymmetry of the net challenges the children's climbing.



Slide

Physical: sliding develops spatial awareness and a sense of balance. Furthermore, the core muscles are trained when sitting upright going down. **Social-Emotional:** empathy stimulated by turn-taking.



Counter

Physical: invites climbing, developing cross coordination. This supports cross-modal perception, which is necessary for skills such as reading. **Social-Emotional:** sharing and cooperation from both sides create a social scenario supporting communication and cooperation. **Cognitive:** the counter invites dramatic play scenarios such as playing shop. This stimulates language and communication.



Curly climber

Physical: coordination and proprioception are supported when placing arms and legs correctly for going down. Sense of balance when rotating. Arm muscles for holding tight. **Social-Emotional:** empathy stimulated by turn-taking. **Cognitive:** logical thinking when placing arms and legs right for rotating downwards.

Forest Tower with Curly Climber

NRO1012



All Organic Robinia products by KOMPAN are made of Robinia wood from sustainable European sources. On request it can be supplied as FSC® Certified (FSC® C004450).



The paint used for coloured components is water based environmentally friendly with excellent UV resistance. The paint is in compliance with EN 71 Part 3.



The product/activities are preassembled from the factory to ensure all safety requirements are considered.



Ropes of UV-stabilized PES rope strands with inner steel cable reinforcement. The polyester yarn is made from +95% post-consumer materials and is inductively melted onto each strand.



The stainless-steel slides with one-piece slide bed are made of high-quality stainless-steel AISI 304.



The Robinia products are designed with a KOMPAN colour concept with a number of different standard colours. The wood can also be supplied as untreated or with brown painted with a pigment that maintains the wood colour.

Item no. NRO1012-1021

Installation Information

| | |
|--------------------------|---------------------|
| Max. fall height | 220 cm |
| Safety surfacing area | 31.2 m ² |
| Total installation time | 15.5 |
| Excavation volume | 1.03 m ³ |
| Concrete volume | 0.13 m ³ |
| Footing depth (standard) | 100 cm |
| Shipment weight | 817 kg |
| Anchoring options | In-ground ✓ |

Warranty Information

| | |
|----------------------------|----------|
| Robinia wood | 15 years |
| Ropes & nets | 10 years |
| Spare parts guaranteed | 10 years |
| Stainless steel components | Lifetime |
| Stainless steel components | Lifetime |



Sustainability Data

NRO1012



| Cradle to Gate A1-A3 | Total CO ₂ emission | CO ₂ e/kg | Recycled materials |
|----------------------|--------------------------------|-------------------------|--------------------|
| | kg CO ₂ e | kg CO ₂ e/kg | % |
| NRO1012-1021 | 418.74 | 0.65 | 8.99 |

The overall framework applied for these factors is the Environmental Product Declaration (EPD), which quantifies "environmental information on the life cycle of a product and enable comparisons between products fulfilling the same function" (ISO, 2006). This follows the structure and applies a Life-Cycle Assessment approach to the entire Product stage from raw material through manufacturing (A1-A3))

Kompan A/S
 C.F. Tietgens Boulevard 32C
 DK-5220 Odense SØ
 Denmark



Verification of CO₂ calculation of: Nature play



Data version no. 2023-10-05

The CO₂ calculation and data are in compliance with the principles of a carbon footprint impact according to the GHG protocol (Greenhouse Gas Protocol), Scope 3, cradle to gate related to all individual components in the product category: "Nature play" represented by item no.: NRO409-0621.

(Scope 3 emissions include emission sources in the upstream and downstream value chain).

Date: 30. October 2023 | Valid until: 30. October 2025

Verified by:

Julie Marie Vejsgaard Larsen, LCA & EPD Consultant

Verification based on report: Validation of CO₂ calculation of 9 categories of Kompan product line, version 1.0, prepared by: Bureau Veritas HSE, Denmark: Julie M. V. Larsen.

Publication date: 30. October 2023

By Bureau Veritas HSE
 www.bureauveritas.dk
 +45 7731 1000

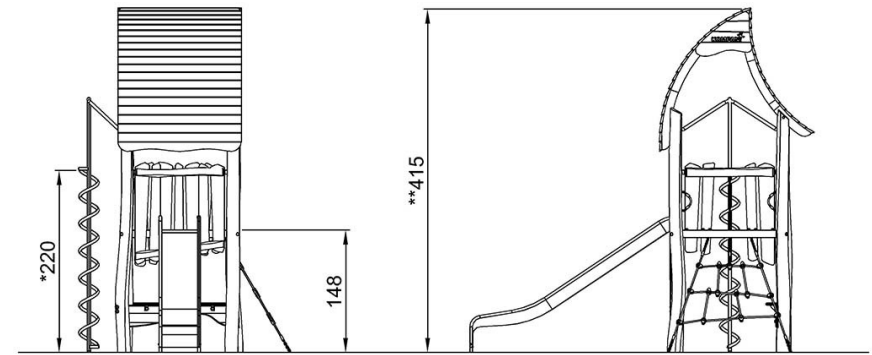
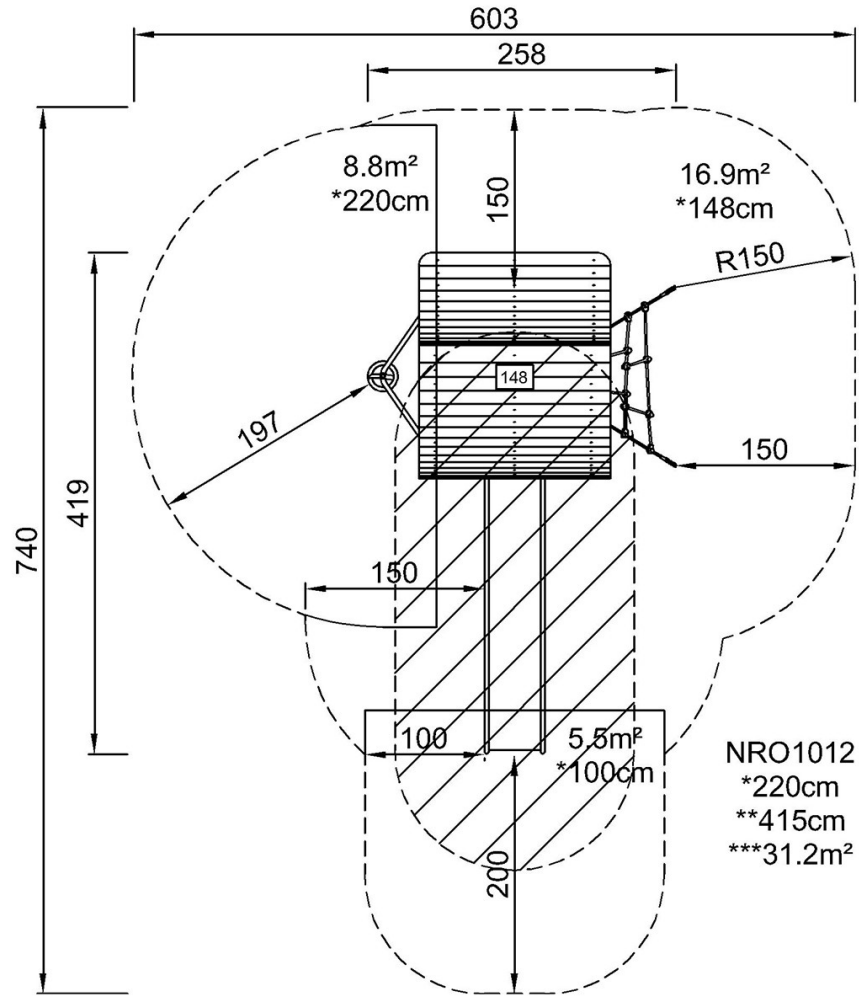


Forest Tower with Curly Climber

NRO1012

* Max fall height | ** Total height | *** Safety surfacing area

* Max fall height | ** Total height



NRO1012

[Click to see TOP VIEW](#)

[Click to see SIDE VIEW](#)