

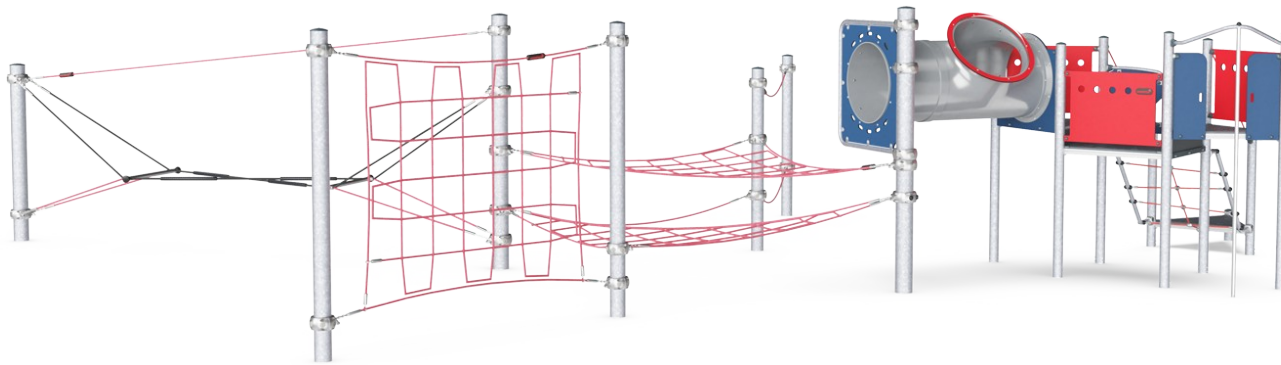
Lookout Trail

CRP251701

Item no. CRP251701-0901

General Product Information

Dimensions LxWxH	1064x1267x267 cm
Age group	6+
Play capacity (users)	30
Colour options	● ● ●



The Lookout Trail is a hugely engaging and versatile play piece that will attract children again and again, for new as well as known physical play activities. The varied climb, crawl and bounce activities invite a wide age span of children. The bouncy, thrilling movements of the varied nets add extra stimulation to children's agility, cross-coordination and

balance skills. These motor skills are fundamental for the ability to navigate the world with body confidence, e.g. in managing street traffic securely. Elements such as the layered horizontal nets and the Galago Trail serve as thrilling, bouncy meeting points that invite children to cooperate, balance and socialise. The Tunnel and Fireman's Pole part of the

structure makes for loops of more classic play activities that never fail to attract, hold and stimulate children in fun play with friends.



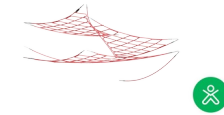
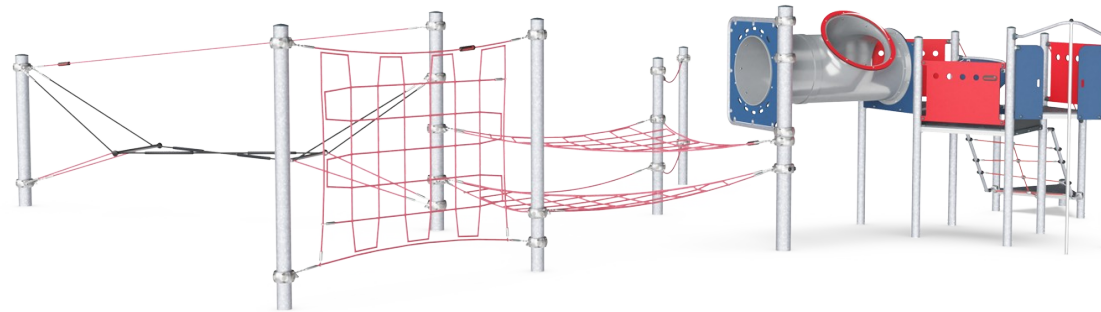
Lookout Trail

CRP251701



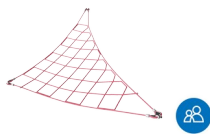
Swaying seesaw

Physical: the Swaying Seesaw is a challenging training of balance, spatial awareness & timing. The skills trained here are fundamental for instance for navigating traffic safely. **Social-Emotional:** passing others on the bridge intensely trains cooperation and communication skills.



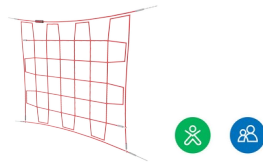
Climbing net

Physical: the net allows for climbing around, which supports motor skills, proprioception and spatial awareness. Children use muscle strength when climbing.



Triangular net

Social-Emotional: the net allows for more children being seated or lying together, sharing.



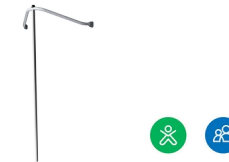
Vertical climbing net

Physical: children develop cross-body coordination when climbing. Arm, leg and core muscles are strengthened. **Social-Emotional:** the meshes allow for more children to sit together and talk.



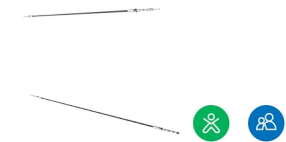
Bubble tunnel

Physical: the children crawl through the tunnel, developing motor skills such as cross-body coordination and proprioception. **Social-Emotional:** turn-taking when passing each other. **Cognitive:** distorts the sound of the voice, developing logical thinking.



Fireman's pole

Physical: supports coordination, arm and core muscles. Landing strengthens bone density. **Social-Emotional:** turn-taking and risk-taking.



Balancing ropes

Physical: sense of balance is trained when swaying and climbing on ropes **Social-Emotional:** cooperation, tolerance and teamwork is exercised when swaying with others

Lookout Trail

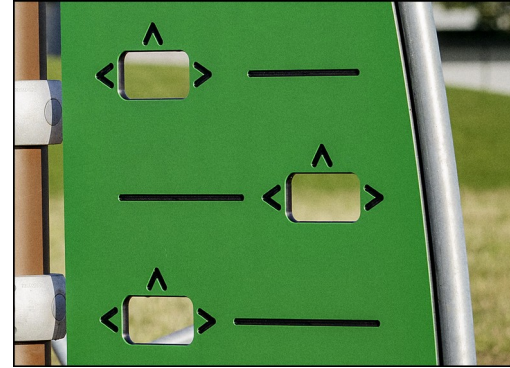
CRP251701



Ropes of UV-stabilized PES rope strands with inner steel cable reinforcement. The polyester yarn is made from +95% post-consumer materials and is inductively melted onto each strand.



Designed to allow the typical function of rope play structures to move Corocord 'S' clamps are used as universal connections in Corocord products. 8mm stainless steel rods with rounded edges are pressed around the ropes with a special hydraulic press, making them the ideal connector. Our clamps are safe, durable and vandalism-proof.



Panels of 19mm EcoCore™. EcoCore™ is a highly durable, eco-friendly material, which is not only recyclable after use but also consists of a core produced from 100% recycled material.



Colored steel components have a base of hot dip galvanization and a powder coated top finish. This provides an ultimate corrosion resistance in all climates around the world. Other steel surfaces are hot dip galvanized inside and outside with lead free zinc.



Corocord smart clamps are carefully designed in every detail to ensure superior flexibility in high quality aluminum material. The smart clamps are attached around the posts with four steel bolts. Not used attachment points are closed with PA caps.



All decks are supported by unique designed low-carbon aluminum profiles with multiple attachment options. The grey colored molded decks are made of 75% post-consumer waste PP material with a non-skid pattern and texture surface.

Item no. CRP251701-0901

Installation Information

Max. fall height	240 cm
Safety surfacing area	107.7 m ²
Total installation time	32.1
Excavation volume	15.18 m ³
Concrete volume	8.26 m ³
Footing depth (standard)	90 cm
Shipment weight	1,485 kg
Anchoring options	Surface ✓ In-ground ✓

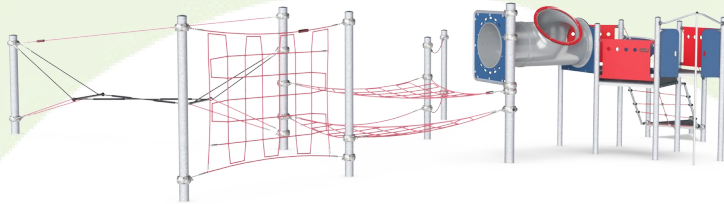
Warranty Information

Aluminium Clamps	10 years
Galvanised Steel	Lifetime
Painted Toplayer	10 years
Ropes & Nets	10 years
Spare Parts Guarantee	10 years



Sustainability Data

CRP251701



Cradle to Gate A1-A3	Total CO ₂ emission	CO ₂ e/kg	Recycled materials
	kg CO ₂ e	kg CO ₂ e/kg	%
CRP251701-0901	3,046.55	3.06	48.21

The overall framework applied for these factors is the Environmental Product Declaration (EPD), which quantifies "environmental information on the life cycle of a product and enable comparisons between products fulfilling the same function" (ISO, 2006). This follows the structure and applies a Life-Cycle Assessment approach to the entire Product stage from raw material through manufacturing (A1-A3))

Kompan A/S
 C.F. Tietgens Boulevard 32C
 DK-5220 Odense SØ
 Denmark



Verification of CO₂ calculation of: Corocord



Data version no. 2023-10-05

The CO₂ calculation and data are in compliance with the principles of a carbon footprint impact according to the GHG protocol (Greenhouse Gas Protocol), Scope 3, cradle to gate related to all individual components in the product category: "Corocord" represented by item no.: COR314011-1101.

(Scope 3 emissions include emission sources in the upstream and downstream value chain).

Date: 30. October 2023 | Valid until: 30. October 2025

Verified by:

Julie Marie Vejsgaard Larsen, LCA & EPD Consultant

Verification based on report: Validation of CO₂ calculation of 9 categories of Kompan product line, version 1.0, prepared by: Bureau Veritas HSE, Denmark: Julie M. V. Larsen.

Publication date: 30. October 2023

By Bureau Veritas HSE
 www.bureauveritas.dk
 +45 7731 1000

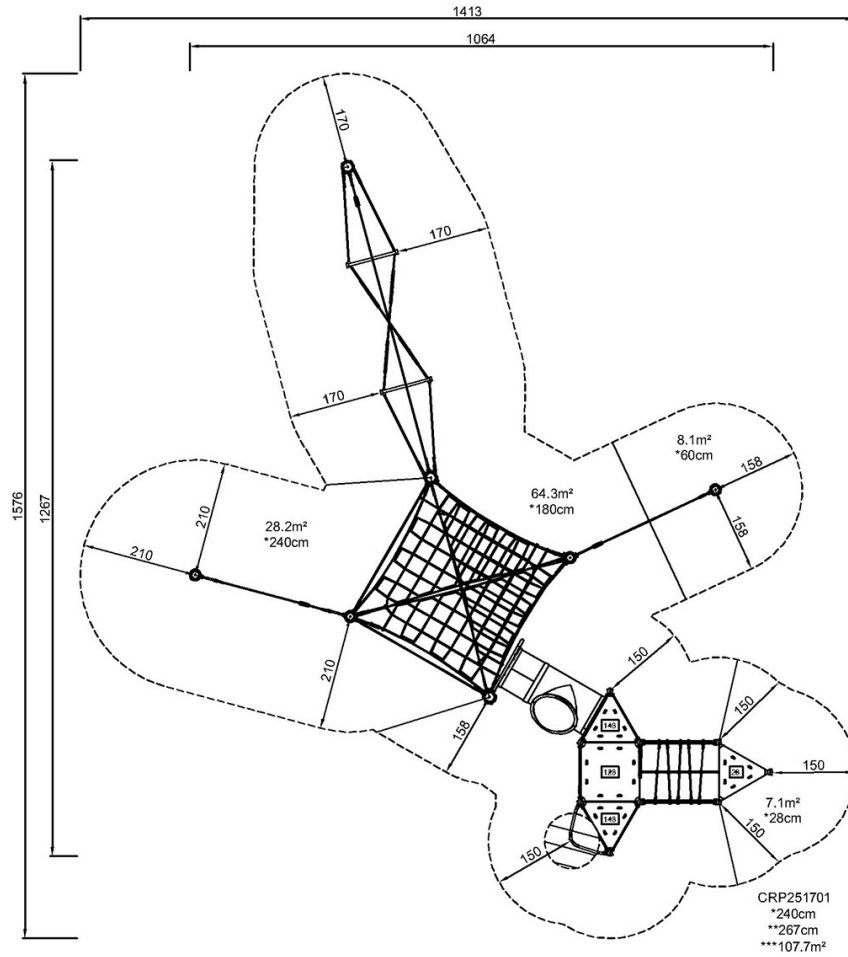


Lookout Trail

CRP251701

* Max fall height | ** Total height | *** Safety surfacing area

* Max fall height | ** Total height



CRP251701

[Click to see TOP VIEW](#)

[Click to see SIDE VIEW](#)