

# Cone Twister

COR20320



Item no. COR203201-1103

## General Product Information

Dimensions LxWxH	171x171x214 cm
Age group	3+
Play capacity (users)	9
Color options	



The Cone Twister's shape attracts children to play, enter and climb to the top, again and again. The Twister provides play for children of different ages encouraging social play across various age groups. It's a particular favourite for older children who love challenging play. The Cone Twister is a perfect meeting place and allows for standing, sitting and chatting

while spinning. When climbing to the top, down and around, pushing and pulling the twister and then jumping off, children train motor skills such as coordination, and muscle strength as well as bone density. The cooperation and negotiation of rotating or getting rotated train social-emotional skills such as turn-taking, tolerance and empathy. This is a playful way to important

life skills.

# Cone Twister

COR20320



Ropes of UV-stabilized PES rope strands with inner steel cable reinforcement. The polyester yarn is made from +95% post-consumer materials and is inductively melted onto each strand. The ropes are highly wear- and vandalism-resistant and can be replaced at site if needed.



Corocord 'S' clamps are used as universal connections in Corocord products. 8mm stainless steel rods with rounded edges are pressed around the ropes with a special hydraulic press, making them the ideal connector: safe, durable and vandalism-proof, all while allowing the typical movement of rope play structures.



Heavy duty engineered bearing system with single row deep groove ball bearings with rubber seals. The fully closed bearing construction is lifetime lubricated and maintenance free. The Bearing system has an integrated drag brake according to global safety standards.

Item no. COR203201-1103

## Installation Information

Max. fall height	150 cm
Safety surfacing area	25.7 m <sup>2</sup>
Total installation time	5.4
Excavation volume	1.10 m <sup>3</sup>
Concrete volume	0.70 m <sup>3</sup>
Footing depth (standard)	110 cm
Shipment weight	476 kg
Anchoring options	

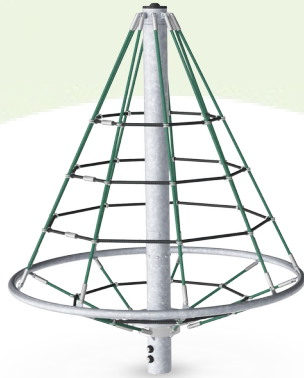


The steel posts are hot dip galvanised inside and outside with lead free zinc. The galvanisation has excellent corrosion resistance in outside environments and requires low maintenance.



# Sustainability Data

COR20320



Cradle to Gate A1-A3	Total CO <sub>2</sub> emission	CO <sub>2</sub> e/kg	Recycled materials
	kg CO <sub>2</sub> e	kg CO <sub>2</sub> e/kg	%
<b>COR203201-1103</b>	543.40	2.86	49.50

The overall framework applied for these factors is the Environmental Product Declaration (EPD), which quantifies "environmental information on the life cycle of a product and enable comparisons between products fulfilling the same function" (ISO, 2006). This follows the structure and applies a Life-Cycle Assessment approach to the entire Product stage from raw material through manufacturing (A1-A3))

**Kompan A/S**  
 C.F. Tietgens Boulevard 32C  
 DK-5220 Odense SØ  
 Denmark



## Verification of CO<sub>2</sub> calculation of: Corocord



Data version no. 2023-10-05

The CO<sub>2</sub> calculation and data are in compliance with the principles of a carbon footprint impact according to the GHG protocol (Greenhouse Gas Protocol), Scope 3, cradle to gate related to all individual components in the product category: "Corocord" represented by item no.: COR314011-1101.

(Scope 3 emissions include emission sources in the upstream and downstream value chain).

**Date: 30. October 2023 | Valid until: 30. October 2025**

Verified by:

Julie Marie Vejsgaard Larsen, LCA & EPD Consultant

Verification based on report: Validation of CO<sub>2</sub> calculation of 9 categories of Kompan product line, version 1.0, prepared by: Bureau Veritas HSE, Denmark: Julie M. V. Larsen.

**Publication date: 30. October 2023**

By Bureau Veritas HSE  
 www.bureauveritas.dk  
 +45 7731 1000

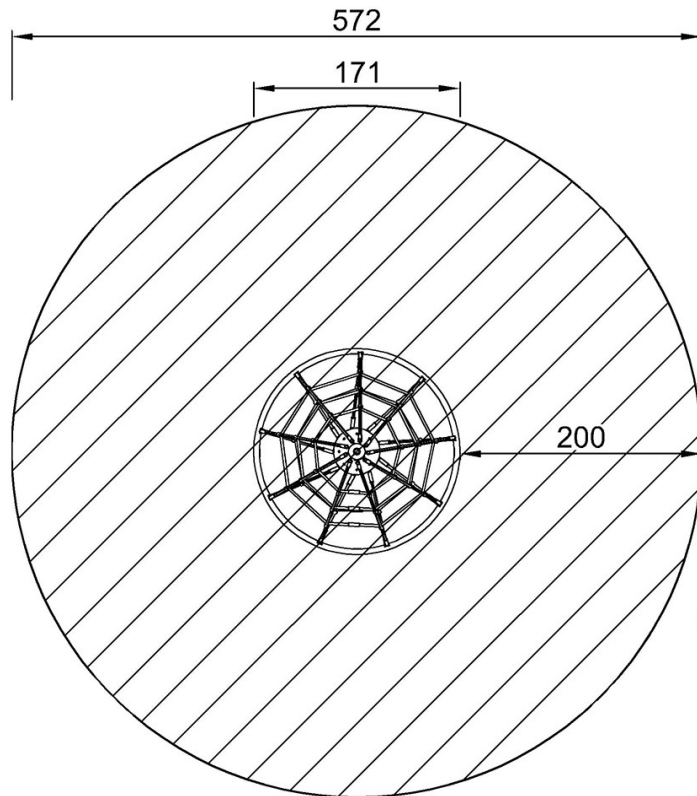


# Cone Twister

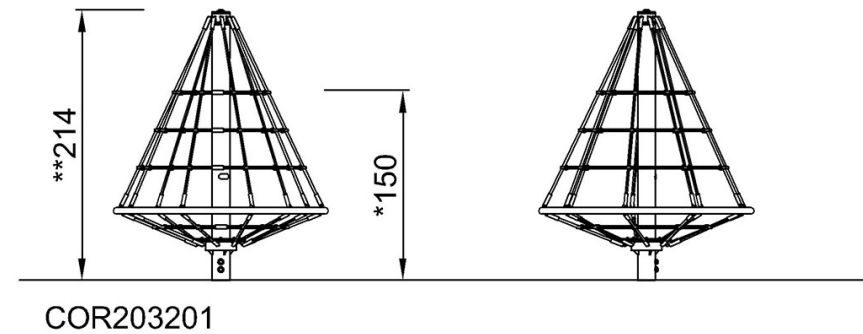
COR20320

\* Max fall height | \*\* Total height | \*\*\* Safety surfacing area

\* Max fall height | \*\* Total height



COR203201  
\*150cm  
\*\*214cm  
\*\*\*25.7m<sup>2</sup>



[Click to see TOP VIEW](#)

[Click to see SIDE VIEW](#)