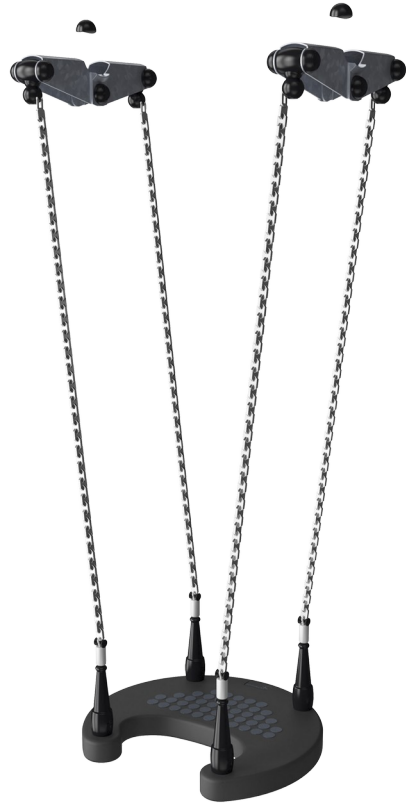


Toddler Seat, 2.0m high

SW990030



Item no. SW990030-00

General Product Information

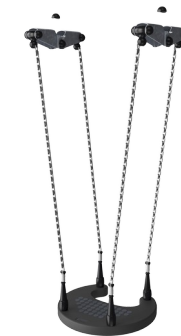
Dimensions LxWxH	77x50x167 cm
Age group	1+
Play capacity (users)	1
Colour options	●



The Toddler Seat is a truly unique swing invention that makes it possible for toddlers to swing before they fully master the cross-coordination skills that conventional swinging takes. When seated, the toddler can push and pull the front chains and thus set the seat in motion. This is a fabulous event for toddlers, who have a strong drive to do things on their

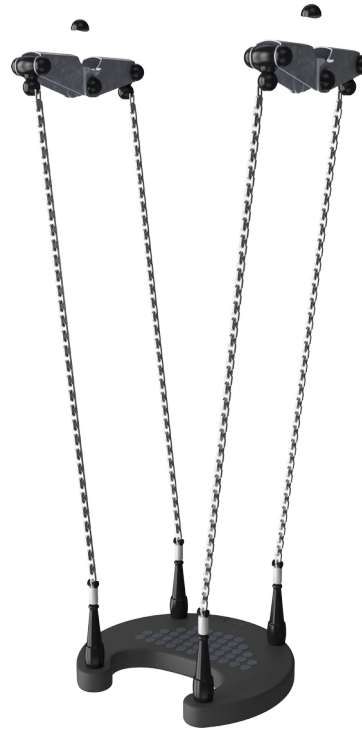
own, but often need help. The feeling of independence is priceless to young toddlers and it boosts their self-confidence. Apart from being great fun, swinging on the Toddler Seat trains important gross motor skills such as the sense of balance when seated but moving. Additionally, it is a good way of training muscles as the trunk stability and pushing and

pulling with arms all take some force. A truly socio-emotional as well as a physically stimulating swing seat.



Toddler Seat, 2.0m high

SW990030



Roomy seat with hole for legs

Physical: the seated position supports trunk stability and balance when pushing and pulling the front chains. **Social-Emotional:** the supportive carved hole for the legs provides a feeling of security when seated. The opening facilitates lifting the child into and out of seat.



Front chains

Physical: pushing and pulling chains requires coordination and trains muscles. **Cognitive:** the insight that the child can affect motion with body movements strengthens logical thinking and the understanding of 'cause and effect'.

Toddler Seat, 2.0m high

SW990030



KOMPAN designed curved toddler seat is made with an insert of 21.25 mm thick plywood from alder and pine wood. The outside layer is moulded in UV stabilised PUR which retains its properties in the temperature range of -30°C to 60°C.

The double steel yoke suspension provides the unique parallel movement of the seat. The swing hangers are made of high-quality UV stabilised nylon (PA6) housing with integrated lifetime sealed ball bearings. The height-adjustable chains are fixed by a stainless steel hook with a theft-proof snake eye bolt in a turnable anti-twist housing.

The four PUR rubber elements at the base of each chain support the seat's movement; back and forth initiated by the toddler sitting on the seat.



Seats are available to purchase with either hot-dip galvanised steel or stainless steel swing chains across all swing ranges and heights.

Item no. SW990030-00

Installation Information

Max. fall height	0 cm
Safety surfacing area	12.9 m ²
Total installation time	1.3
Excavation volume	0.00 m ³
Concrete volume	0.00 m ³
Footing depth (standard)	0 cm
Shipment weight	21 kg
Anchoring options	

Warranty Information

Chains	10 years
PUR Components	10 years
Spare Parts Guarantee	10 years



Sustainability Data

SW990030



Cradle to Gate A1-A3	Total CO ₂ emission	CO ₂ e/kg	Recycled materials
	kg CO ₂ e	kg CO ₂ e/kg	%
SW990030-00	58.72	3.80	33.26

The overall framework applied for these factors is the Environmental Product Declaration (EPD), which quantifies "environmental information on the life cycle of a product and enable comparisons between products fulfilling the same function" (ISO, 2006). This follows the structure and applies a Life-Cycle Assessment approach to the entire Product stage from raw material through manufacturing (A1-A3))

Kompan A/S
 C.F. Tietgens Boulevard 32C
 DK-5220 Odense SØ
 Denmark



Verification of CO₂ calculation of: Freestanding play equipment



Data version no. 2023-10-05

The CO₂ calculation and data are in compliance with the principles of a carbon footprint impact according to the GHG protocol (Greenhouse Gas Protocol), Scope 3, cradle to gate related to all individual components in the product category: "Freestanding play equipment" represented by item no.: KSW92011-0910.

(Scope 3 emissions include emission sources in the upstream and downstream value chain).

Date: 30. October 2023 | Valid until: 30. October 2025

Verified by:

Julie Marie Vejsgaard Larsen, LCA & EPD Consultant

Verification based on report: Validation of CO₂ calculation of 9 categories of Kompan product line, version 1.0, prepared by: Bureau Veritas HSE, Denmark: Julie M. V. Larsen.

Publication date: 30. October 2023

By Bureau Veritas HSE
 www.bureauveritas.dk
 +45 7731 1000

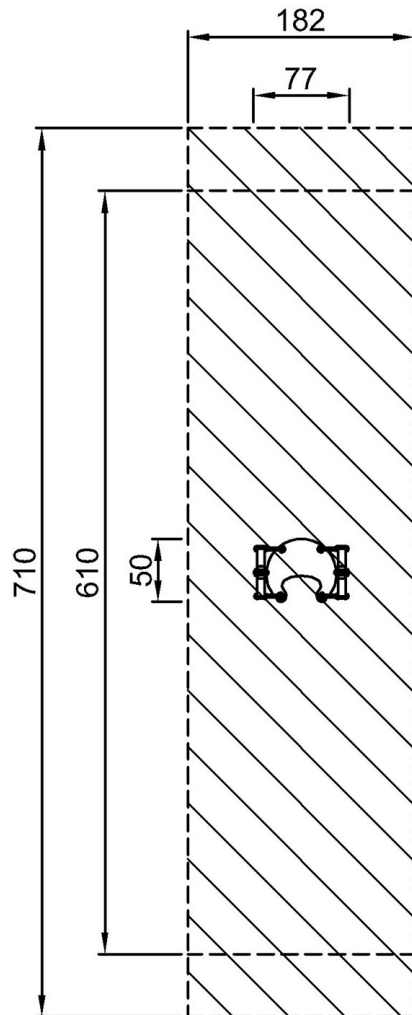


Toddler Seat, 2.0m high

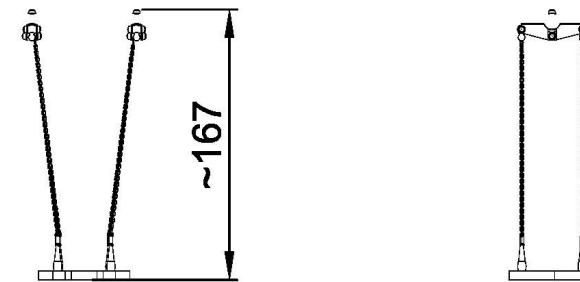
SW990030

* Max fall height | ** Total height | *** Safety surfacing area

* Max fall height | ** Total height



SW990030
***12.9m²



SW990030
1:100

[Click to see TOP VIEW](#)

[Click to see SIDE VIEW](#)