

# Spinner Plate

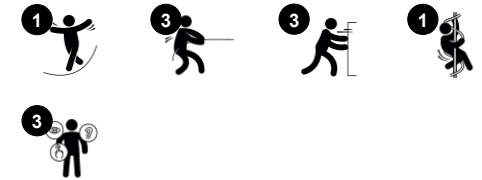
NRO110



Item no. NRO110-0901

## General Product Information

Dimensions LxWxH	49x49x47 cm
Age group	5 - 12
Play capacity (users)	1
Colour options	



The Spinner Plate is a slick, inclined spin that attracts children immensely, again and again. The secret of the success is the immediate response to the child's movements: When the child kick off from the ground and sits, kneels or bends over the inclined Spinner Plate platform, the Spinner turns round and round. Thanks to the inclination, this is no perpetual,

unstoppable movement, but a controlled one. Children will jump on and off, running the Spinner plate to a start, building bone density, muscles and motor skills. The sense of balance is hugely stimulated when spinning. This improves the equilibrium of the child, making it possible to e.g. sit still on a chair. A well developed sense of balance supports the child

in physical actions such as running or cycling. It gives great confidence to have an efficient sense of balance.



# Spinner Plate

NRO110



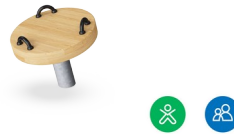
## Handhold

**Physical:** the possibility to hold onto more areas of the handhold ensures a good grip, necessary for spinning intensely. This trains the hand and arm muscles.



## Rotation

**Physical:** pushing or pulling it into motion, children use their muscle strength and strengthen their cardio. The rotation develops the sense of balance and space when enjoying the ride. **Social-Emotional:** listening and negotiating how slow or fast to go, children develop their empathy and cooperation skills.



## Spinner plate

**Physical:** the rotating movement when seated, laying or on their knees supports the sense of balance. **Social-Emotional:** socializing and turn-taking when deciding who should sit here, skills necessary to learn how to avoid conflicts.

# Spinner Plate

NRO110



All Organic Robinia products by KOMPAN are made of Robinia wood from sustainable European sources. On request it can be supplied as FSC® Certified (FSC® C004450).



The steel surfaces are hot dip galvanised inside and outside with lead free zinc. The galvanisation has excellent corrosion resistance in outside environments and requires low maintenance.



The Robinia wood can be supplied as untreated raw wood or painted with a brown coloured transparent pigment that maintains the golden wood colour of the wood.

Item no. NRO110-0901	
Installation Information	
Max. fall height	47 cm
Safety surfacing area	13.6 m <sup>2</sup>
Total installation time	1.6
Excavation volume	0.11 m <sup>3</sup>
Concrete volume	0.06 m <sup>3</sup>
Footing depth (standard)	90 cm
Shipment weight	30 kg
Anchoring options	In-ground ✓ Surface ✓
Warranty Information	
Handle	10 years
Hot dip galvanised steel	Lifetime
Robinia wood	15 years
Spare parts guaranteed	10 years

Elevated activities 0	Accessible elevated activities	Accessible ground level activities	Accessible ground level play types
Present	0	1	1
Required	0	1	1



# Sustainability Data

NRO110



Cradle to Gate A1-A3	Total CO <sub>2</sub> emission	CO <sub>2</sub> e/kg	Recycled materials
	kg CO <sub>2</sub> e	kg CO <sub>2</sub> e/kg	%
<b>NRO110-0901</b>	51.49	2.03	22.94

The overall framework applied for these factors is the Environmental Product Declaration (EPD), which quantifies "environmental information on the life cycle of a product and enable comparisons between products fulfilling the same function" (ISO, 2006). This follows the structure and applies a Life-Cycle Assessment approach to the entire Product stage from raw material through manufacturing (A1-A3))

**Kompan A/S**  
 C.F. Tietgens Boulevard 32C  
 DK-5220 Odense SØ  
 Denmark



## Verification of CO<sub>2</sub> calculation of: Nature play



Data version no. 2023-10-05

The CO<sub>2</sub> calculation and data are in compliance with the principles of a carbon footprint impact according to the GHG protocol (Greenhouse Gas Protocol), Scope 3, cradle to gate related to all individual components in the product category: "Nature play" represented by item no.: NRO409-0621.

(Scope 3 emissions include emission sources in the upstream and downstream value chain).

**Date: 30. October 2023 | Valid until: 30. October 2025**

Verified by:

Julie Marie Vejsgaard Larsen, LCA & EPD Consultant

Verification based on report: Validation of CO<sub>2</sub> calculation of 9 categories of Kompan product line, version 1.0, prepared by: Bureau Veritas HSE, Denmark: Julie M. V. Larsen.

**Publication date: 30. October 2023**

By Bureau Veritas HSE  
 www.bureauveritas.dk  
 +45 7731 1000

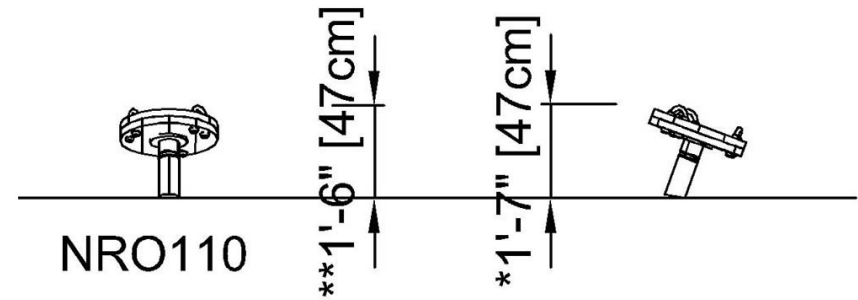
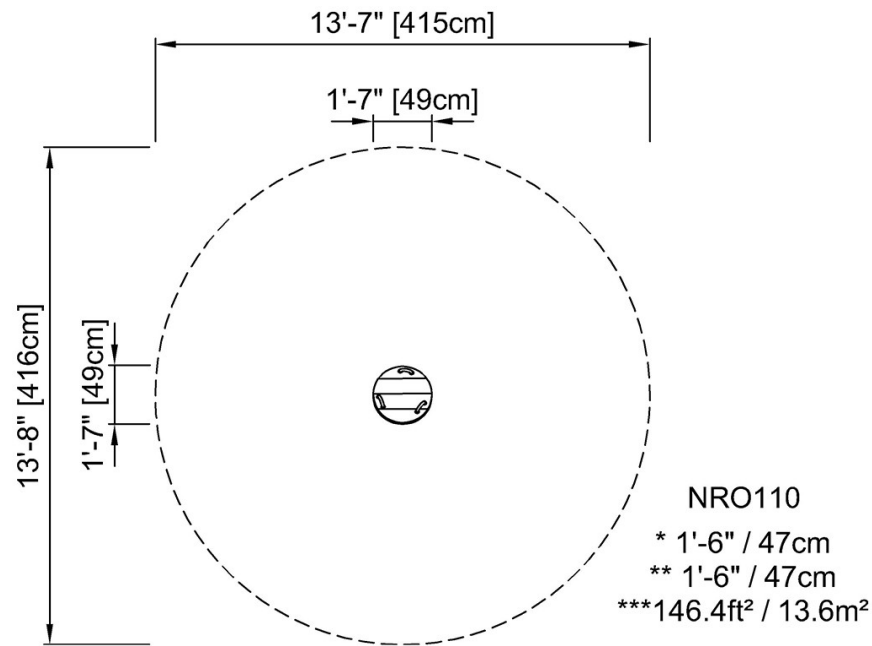


# Spinner Plate

NRO110

\* Max fall height | \*\* Total height | \*\*\* Safety surfacing area

\* Max fall height | \*\* Total height



[Click to see TOP VIEW](#)

[Click to see SIDE VIEW](#)