

# Two Seat Swing

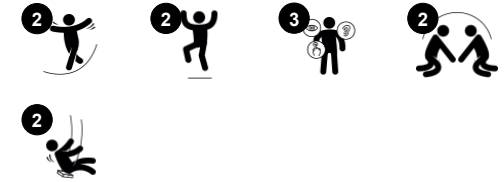
NRO910



Item no. NRO910-1101

## General Product Information

Dimensions LxWxH	15'4"x6'6"x9'4"
Age group	2 - 12
Play capacity (users)	2
Color options	 



Of all the play activities, swinging is a favorite: children love it, and it can be done individually and together. This Two Seat Swing set supports the play joy of doing the same thing at the same time, featuring two similar swing seats. The seats are shaped with a slight curve in the middle, to facilitate the secure seat position of a wide age span. This creates a

great place to play, for all ages, for hours and even days. Swinging, apart from being great fun, develops children's ABCs: agility, balance and coordination, as well as their spatial awareness. These motor skills are crucial to being able to judge distances and navigate spaces safely. Swings allow for standing, sitting, and lying – and not least, jumping off.

Apart from the motor skills training, this trains the arm, leg and core muscles. The jumping off strengthens bone density, which is built up during the first years of life.



# Two Seat Swing

NRO910



## Two single swing seats

**Physical:** balance, coordination and spatial awareness are trained when swinging. All necessary when judging distances and managing traffic safely. The swinging movement trains the arm, leg and core muscles. **Social-Emotional:** parallel play invites cooperation and consideration. **Cognitive:** cause and effect and thinking skills for younger children. Rules games for bigger children, when swinging in same or different rhythm.



# Two Seat Swing

NRO910



All Organic Robinia products by KOMPAN are made of Robinia wood from sustainable European sources. On request it can be supplied as FSC® Certified (FSC® C004450).



The standard seats of KOMPAN swings is engineered for maximum safety and durability. The seat two component seat with a PP inner core and outside rubber is produced in one operation. The seats are available with swing chains of either hot dip galvanized steel or stainless steel for all swings heights.



Swing hangers for Robinia wood crossbeams are made of stainless steel brackets and can move over two axis. The flange bearings are silicone enriched to make the suspension maintenance free.



The Robinia wood can be supplied as untreated raw wood, painted with a brown colored transparent pigment that maintains the golden wood color or in a colored version where selected components are painted in different colors.

Item no. NRO910-1101	
Installation Information	
Max. fall height	7'9"
Safety surfacing area	606ft <sup>2</sup>
Total installation time	6.4
Excavation volume	1.46yd <sup>3</sup>
Concrete volume	0.42yd <sup>3</sup>
Footing depth (standard)	3'8"
Shipment weight	961lbs
Anchoring options	In-ground ✓
Warranty Information	
Chains	10 Years
Robinia Wood	10 Years
Spare Parts Availability	10 Years
Stainless steel components	Lifetime

Elevated activities 0	Accessible elevated activities	Accessible ground level activities	Accessible ground level play types
Present	0	1	1
Required	0	1	1



# Sustainability Data

NRO910



Cradle to Gate A1-A3	Total CO <sub>2</sub> emission	CO <sub>2</sub> e/kg	Recycled materials
	kg CO <sub>2</sub> e	kg CO <sub>2</sub> e/kg	%
<b>NRO910-1101</b>	101.13	0.30	1.94

The overall framework applied for these factors is the Environmental Product Declaration (EPD), which quantifies "environmental information on the life cycle of a product and enable comparisons between products fulfilling the same function" (ISO, 2006). This follows the structure and applies a Life-Cycle Assessment approach to the entire Product stage from raw material through manufacturing (A1-A3))

**Kompan A/S**  
 C.F. Tietgens Boulevard 32C  
 DK-5220 Odense SØ  
 Denmark



## Verification of CO<sub>2</sub> calculation of: Nature play



Data version no. 2023-10-05

The CO<sub>2</sub> calculation and data are in compliance with the principles of a carbon footprint impact according to the GHG protocol (Greenhouse Gas Protocol), Scope 3, cradle to gate related to all individual components in the product category: "Nature play" represented by item no.: NRO409-0621.

(Scope 3 emissions include emission sources in the upstream and downstream value chain).

**Date: 30. October 2023 | Valid until: 30. October 2025**

**Verified by:**

Julie Marie Vejsgaard Larsen, LCA & EPD Consultant

Verification based on report: Validation of CO<sub>2</sub> calculation of 9 categories of Kompan product line, version 1.0, prepared by: Bureau Veritas HSE, Denmark: Julie M. V. Larsen.

**Publication date: 30. October 2023**

**By Bureau Veritas HSE**  
 www.bureauveritas.dk  
 +45 7731 1000

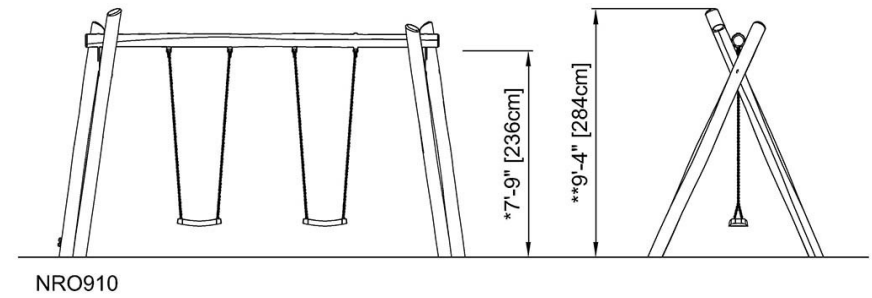
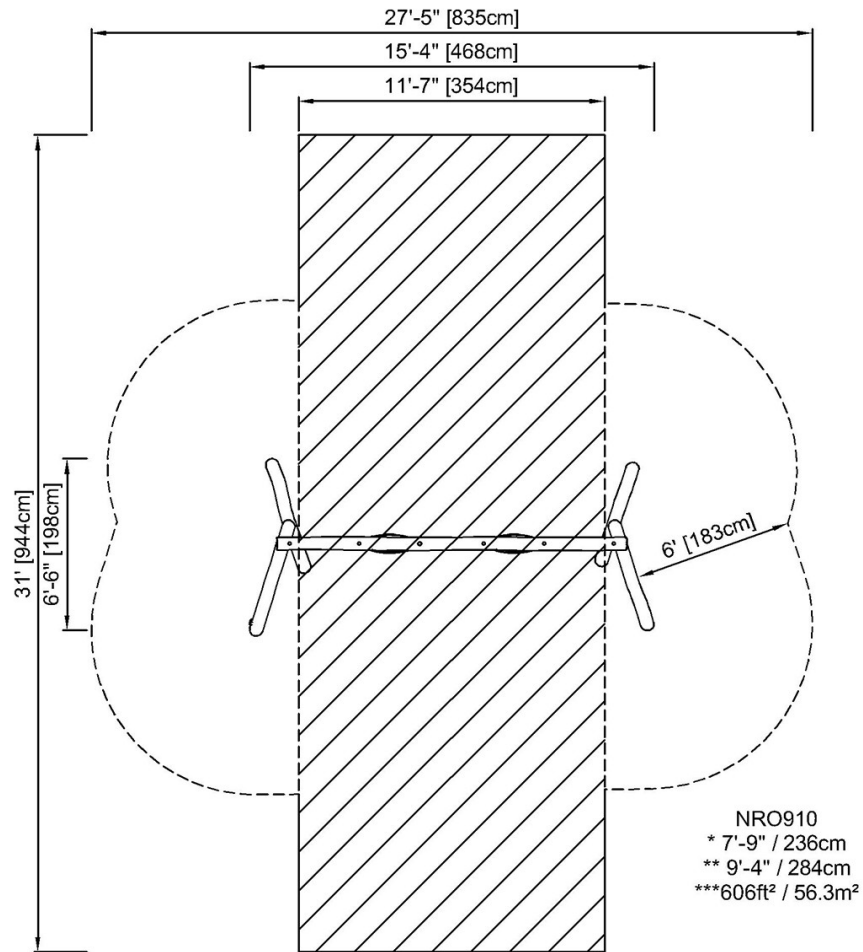


# Two Seat Swing

NRO910

\* Max fall height | \*\* Total height | \*\*\* Safety surfacing area

\* Max fall height | \*\* Total height



[Click to see TOP VIEW](#)

[Click to see SIDE VIEW](#)