

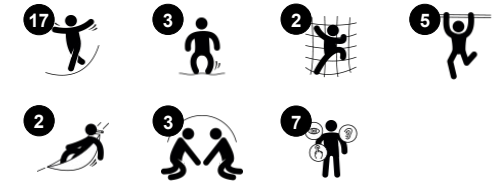
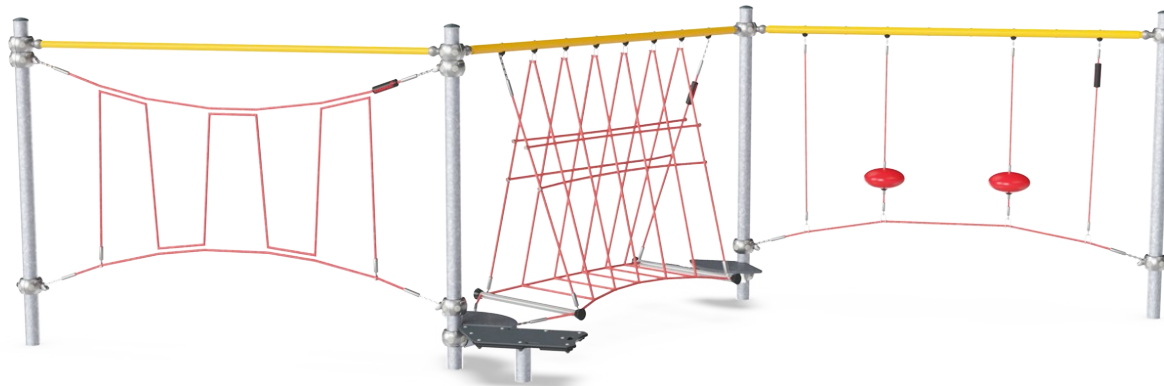
Pathfinder Trail

CRP200302

Item no. CRP200302-0901

General Product Information

Dimensions LxWxH	603x525x217 cm
Age group	2 - 5
Play capacity (users)	11
Colour options	



The Pathfinder Trail wows playful minds with its fun, swaying trail. Children will return again and again to traverse the trail faster, smoother or with more friends. The swaying Hangout Pods are great to balance over or sit on. The Pathfinder Trail's slalom-style, bouncy crossed ropes make for a thrilling crossing. The bouncy Climbing Rope offers a criss-cross pattern trail

inviting groups of friends to sit and sway. The activities all support the build-up of agility, balance and coordination skills, and spatial awareness, too. These motor skills are fundamental for the child's body confidence, and its ability to navigate the surroundings confidently. They are the basis for understanding space, shapes and measures

which are necessary in mathematics. As children traverse the Pathfinder Trail, they need to cooperate and negotiate with friends to pass them. This is great training of social skills, the most important skill for happiness.



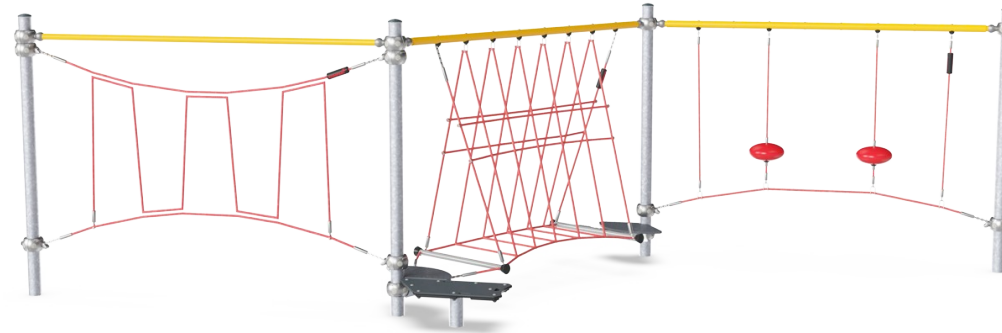
Pathfinder Trail

CRP200302



Tightrope

Physical: children train cross-body coordination and muscle strength. The big meshes allow for climbing and crawling through, training proprioception and spatial awareness. **Social-Emotional:** Turn-taking, consideration and cooperation when passing other children. The big meshes allow for more children to be seated together, sharing. **Cognitive:** cause and effect understanding is supported by the bouncing effect of others' movements.



Hangout Pods

Physical: the hangout pods invite seated and standing swaying and balancing. This supports children's proprioception, which helps them navigate surroundings confidently. Core and arm muscles are strengthened when holding tight and moving across. **Social-Emotional:** children cooperate, turn-take and consider each other when they balance across. The hangout pods support playful socializing and meetings for groups of children.



Slalom Net Bridge

Physical: all muscles are used to hold tight when crossing the bridge. Balance, coordination and spatial awareness are stimulated, which support the ability to navigate securely in space. **Social-Emotional:** turn-taking and cooperation when passing each other. **Cognitive:** cause and effect understanding is supported by the bouncing effect of others' movements.

Pathfinder Trail

CRP200302



Ropes of UV-stabilized PES rope strands with inner steel cable reinforcement. The polyester yarn is made of +95% Post-consumer materials and is inductively melted onto each strand to obtain excellent wear and tear resistance.



Corocord 'S' clamps are used as universal connections in Corocord products. 8mm stainless steel rods with rounded edges are pressed around the ropes with a special hydraulic press, making them the ideal connector: safe, durable and vandalism-proof, all while allowing the typical movement of rope play structures.



Corocord smart clamps are carefully designed in every detail to ensure superior flexibility in high quality aluminum material. The smart clamps are attached around the posts with four steel bolts. Not used attachment points are closed with PA caps.



The steel surfaces are hot dip galvanized inside and outside with lead free zinc. The galvanisation has excellent corrosion resistance in outside environments and requires low maintenance.



The large components are made of 100% recyclable PE made from 33% post consumer materials. Molded in one piece with minimum 5mm wall thickness to ensure high durability in all climates around the world.



Grey round post decks are supported by hot dipped galvanized steel and made of molded 75% post-consumer PP material with a non-skid pattern and texture surface.

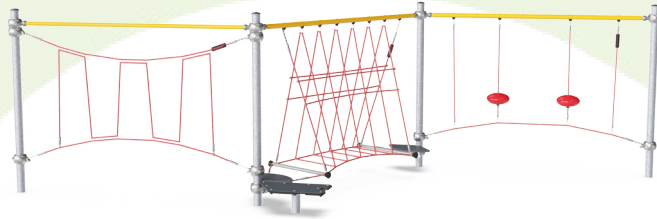
Item no. CRP200302-0901	
Installation Information	
Max. fall height	101 cm
Safety surfacing area	48.8 m ²
Total installation time	10.6
Excavation volume	5.62 m ³
Concrete volume	3.40 m ³
Footing depth (standard)	90 cm
Shipment weight	362 kg
Anchoring options	In-ground ✓ Surface ✓
Warranty Information	
Corocord rope	10 years
Hollow PE parts	10 years
Hot dip galvanised steel	Lifetime
PP Decks	10 years
Spare parts guaranteed	10 years

Elevated activities 0	Accessible elevated activities	Accessible ground level activities	Accessible ground level play types
Present	0	3	1
Required	0	0	0

**CSA
Z614**
compliant

Sustainability Data

CRP200302



Cradle to Gate A1-A3	Total CO ₂ emission	CO ₂ e/kg	Recycled materials
	kg CO ₂ e	kg CO ₂ e/kg	%
CRP200302-0901	885.96	3.58	44.29

The overall framework applied for these factors is the Environmental Product Declaration (EPD), which quantifies "environmental information on the life cycle of a product and enable comparisons between products fulfilling the same function" (ISO, 2006). This follows the structure and applies a Life-Cycle Assessment approach to the entire Product stage from raw material through manufacturing (A1-A3))

Kompan A/S
 C.F. Tietgens Boulevard 32C
 DK-5220 Odense SØ
 Denmark



Verification of CO₂ calculation of: Corocord



Data version no. 2023-10-05

The CO₂ calculation and data are in compliance with the principles of a carbon footprint impact according to the GHG protocol (Greenhouse Gas Protocol), Scope 3, cradle to gate related to all individual components in the product category: "Corocord" represented by item no.: COR314011-1101.

(Scope 3 emissions include emission sources in the upstream and downstream value chain).

Date: 30. October 2023 | Valid until: 30. October 2025

Verified by:

Julie Marie Vejsgaard Larsen, LCA & EPD Consultant

Verification based on report: Validation of CO₂ calculation of 9 categories of Kompan product line, version 1.0, prepared by: Bureau Veritas HSE, Denmark: Julie M. V. Larsen.

Publication date: 30. October 2023

By Bureau Veritas HSE
 www.bureauveritas.dk
 +45 7731 1000

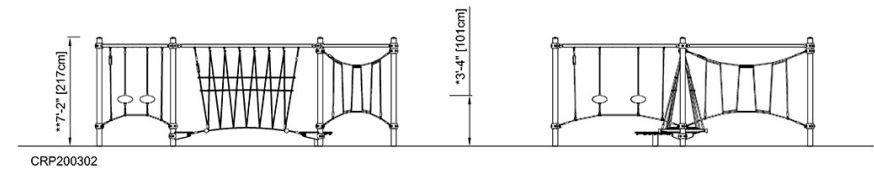
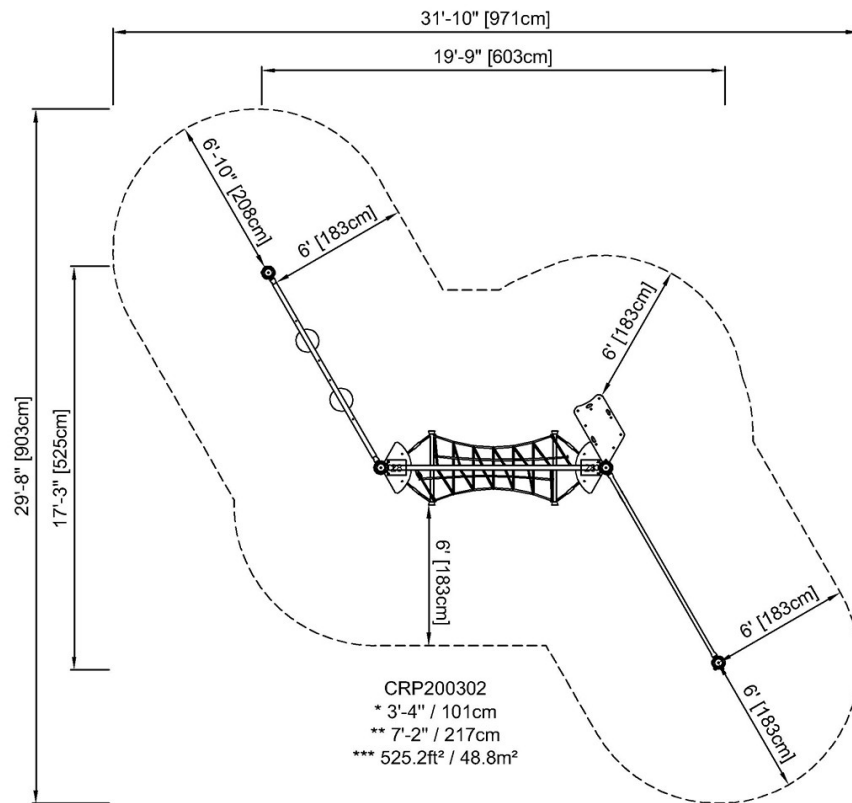


Pathfinder Trail

CRP200302

* Max fall height | ** Total height | *** Safety surfacing area

* Max fall height | ** Total height



[Click to see TOP VIEW](#)

[Click to see SIDE VIEW](#)