

# Magic Cottage

NRC100301



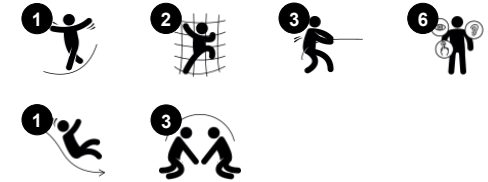
Wow, it's a magic cottage! The organic shapes and fun play activities attract children to come play, repeatedly. The classic play activities span fun, varied accesses with rappelling activities and the big meshed net. They each offer a different play opportunity, and the net is a nice place to climb or hang. Looping the accesses and the slide is not only great fun. It

also trains children's balance and cross-coordination. These motor skills are fundamental for movement ability. They influence both children's physical and social-emotional development: training muscles when climbing, training balance when sliding, and gaining confidence in daring and succeeding.

产品编号 NRC100301-1021

## 产品信息概览

长宽高尺寸	483x377x463 cm
适用年龄段	2+
容纳人数	9
颜色选择	



# Magic Cottage

NRC100301



## 倾斜的攀爬墙

**身体素质：**培养儿童攀爬时的交叉协调能力、眼手协调能力和肌肉力量。**社交情感：**培养轮流意识和合作意识。



## 攀爬网

**身体素质：**儿童在攀爬时可训练跨体协调能力和肌肉力量。大网眼设计便于攀爬和爬行，有助于训练本体感觉和空间意识。**社交情感：**绳网中的大网格可以让更多的孩子坐在一起分享交流。



## 支撑手持装置

**身体素质：**手柄可为不太自信的攀爬儿童提供良好的抓力。将自己拉起并拉入绳网，可锻炼上身肌肉。**社交情感：**不同能力的儿童都可以独立、安全地进入，是适合所有人的游戏。



## 滑梯

**身体素质：**玩滑梯可以培养空间感和平衡感。此外，在直立向下坐时，核心肌肉也能得到锻炼。**社交情感：**轮流玩耍时可激发同理心。

# Magic Cottage

NRC100301



KOMPAN 的所有有机刺槐产品均由 刺槐木材制成，来自欧洲的可持续环保木材。可根据要求提供 FSC® Certified (FSC® C004450)



Transparent brown pigmented and colored parts, are coated with water-based paint and pigment that is environmentally friendly and with excellent UV resistance. The paint and pigment is in compliance with EN 71 Part 3.



The products are preassembled from the factory to ensure all safety requirements are considered. Please note that each Robinia fantasy structure will have its own unique appearance because of the natural shape of the individual wood posts.



所有产品都有多个基础选项：带钢基础和膨胀螺栓的地表安装。木制结构入地安装或钢材入地安装结构。



不锈钢游戏活动部件由优质不锈钢制成。在制造后使用酸洗工艺对钢进行清洁，以确保光滑和清洁的顺滑表面。



载玻片可以选择六种不同的颜色和树形材料：直的或弯曲的一体式成型 PE 载玻片。结合 EcoCore™ 侧面和不锈钢。全不锈钢一体式设计，更多防破坏解决方案。

产品编号 NRC100301-1021

## 安装信息

最大跌落高度	122 cm
安全面积	39.2 m <sup>2</sup>
安装总时长	22.1
开挖量	1.82 m <sup>3</sup>
混凝土使用量	1.10 m <sup>3</sup>
标准入地深度	100 cm
运输重量	1,291 kg
固定选项	入地 ✓

## 质保信息

Corocord 绳索	10 年
中空 PE 聚乙烯部件	10 年
Robinia 木材	15 年
承保零部件	10 年
不锈钢零件	终身质保



# Sustainability Data

NRC100301



## 从原材料到成品

CO<sub>2</sub> 排放总量

kg CO<sub>2</sub>e

CO<sub>2</sub> 排放量 / 千克

kg CO<sub>2</sub>e/kg

回收的原料

%

NRC100301-1021

310.43

0.28

3.23

这些因素采用的总体框架为环保产品声明 (EPD), 该声明可量化“产品生命周期的环保信息, 并对相同功能的产品进行对比” (ISO, 2006)。在遵循该框架的同时, 对从原材料到制造的整个产品阶段 (A1-A3) 应用生命周期评估法。

### Kompan A/S

C.F. Tietgens Boulevard 32C  
DK-5220 Odense SØ  
Denmark

Validation of CO<sub>2</sub> calculation method  
**BUREAU VERITAS**  
HSE Denmark A/S



### Verification of CO<sub>2</sub> calculation of: Nature play



Data version no. 2023-10-05

The CO<sub>2</sub> calculation and data are in compliance with the principles of a carbon footprint impact according to the GHG protocol (Greenhouse Gas Protocol), Scope 3, cradle to gate related to all individual components in the product category: "Nature play" represented by item no.: NRO409-0621.

(Scope 3 emissions include emission sources in the upstream and downstream value chain).

**Date: 30. October 2023 | Valid until: 30. October 2025**

Verified by:

Julie Marie Vejsgaard Larsen, LCA & EPD Consultant

Verification based on report: Validation of CO<sub>2</sub> calculation of 9 categories of Kompan product line, version 1.0, prepared by: Bureau Veritas HSE, Denmark: Julie M. V. Larsen.

**Publication date: 30. October 2023**

By Bureau Veritas HSE

www.bureauveritas.dk

+45 7731 1000

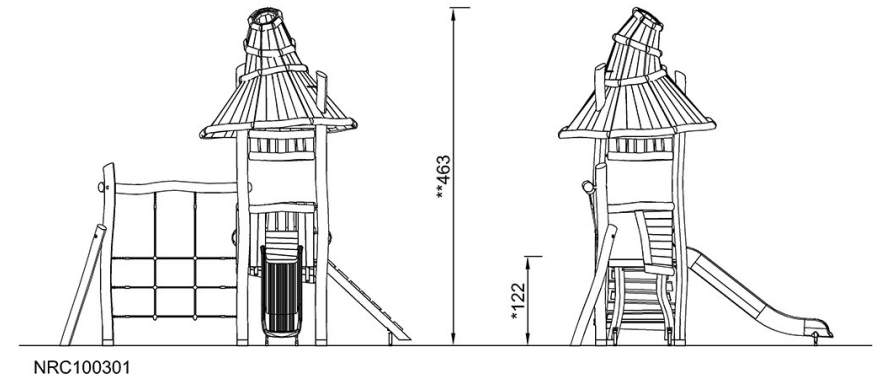
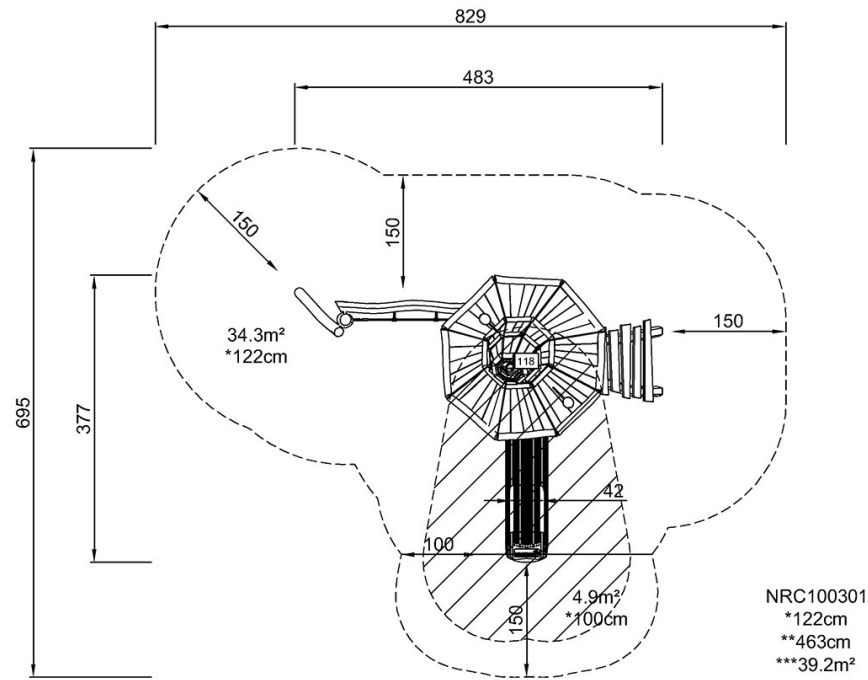


# Magic Cottage

NRC100301

最大跌落高度 | 总高度 | 安全区域

最大跌落高度 | 总高度



[点击查看俯视图](#)

[点击查看侧面图](#)