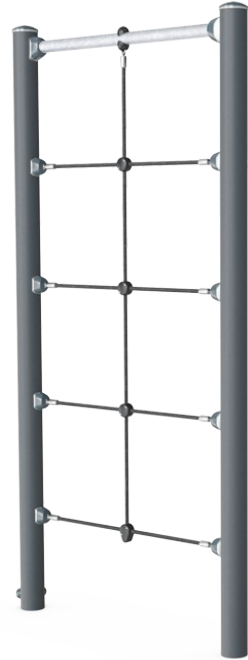


Multi net

FPW207



Item no. FPW20700-0900

General Product Information

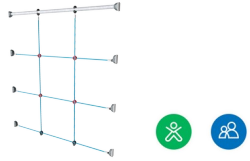
Dimensions LxWxH	120x11x240 cm
Age group	8+
Play capacity (users)	1
Colour options	●



A climbing structure with an overhead pull up bar that offers support for varying the difficulty levels of own bodyweight exercises. The Multi Net is perfect as a training tool preparing for climbing movements in obstacle and survival runs.

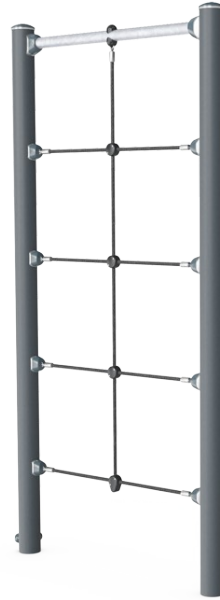
Multi net

FPW207



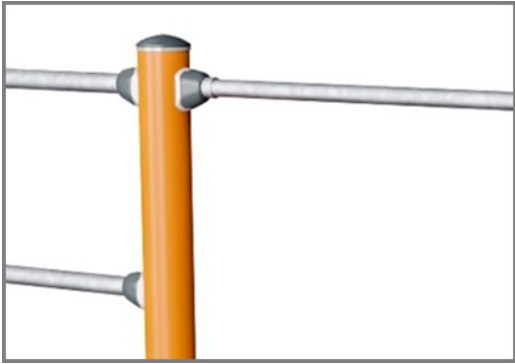
Climbing net

Physical: children develop cross-body coordination and muscle strength when climbing. The big mesh supports proprioception and spatial awareness. **Social-Emotional:** the big meshes allow for more children to sit together and talk.



Multi net

FPW207



The post is made of Ø101.6 x 2mm, pre-galvanised carbon steel and powder coated which is a great protection solution for all climate conditions.



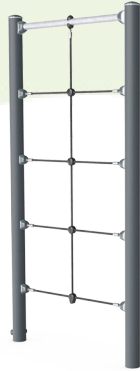
Ropes of UV-stabilized PES rope strands with inner steel cable reinforcement. The polyester yarn is made of +95% Post-consumer materials and is inductively melted onto each strand to obtain excellent wear and tear resistance.

Item no. FPW20700-0900	
Installation Information	
Max. fall height	233 cm
Safety surfacing area	19.1 m ²
Total installation time	3.2
Excavation volume	0.35 m ³
Concrete volume	0.19 m ³
Footing depth (standard)	90 cm
Shipment weight	80 kg
Anchoring options	In-ground ✓ Surface ✓
Warranty Information	
Corocord (Hercules) Rope	10 years
Galvanised/painted metal	10 years
Spare Parts Guarantee	10 years



Sustainability Data

FPW207



Cradle to Gate A1-A3	Total CO ₂ emission	CO ₂ e/kg	Recycled materials
	kg CO ₂ e	kg CO ₂ e/kg	%
FPW20700-0900	91.00	2.11	69.66

The overall framework applied for these factors is the Environmental Product Declaration (EPD), which quantifies "environmental information on the life cycle of a product and enable comparisons between products fulfilling the same function" (ISO, 2006). This follows the structure and applies a Life-Cycle Assessment approach to the entire Product stage from raw material through manufacturing (A1-A3))

Kompan A/S
 C.F. Tietgens Boulevard 32C
 DK-5220 Odense SØ
 Denmark



Verification of CO₂ calculation of: Fitness



Data version no. 2023-10-05

The CO₂ calculation and data are in compliance with the principles of a carbon footprint impact according to the GHG protocol (Greenhouse Gas Protocol), Scope 3, cradle to gate related to all individual components in the product category: "Fitness" represented by item no.: FAZ10100-0900.

(Scope 3 emissions include emission sources in the upstream and downstream value chain).

Date: 30. October 2023 | Valid until: 30. October 2025

Verified by:

Julie Marie Vejsgaard Larsen, LCA & EPD Consultant

Verification based on report: Validation of CO₂ calculation of 9 categories of Kompan product line, version 1.0, prepared by: Bureau Veritas HSE, Denmark: Julie M. V. Larsen.

Publication date: 30. October 2023

By Bureau Veritas HSE
 www.bureauveritas.dk
 +45 7731 1000

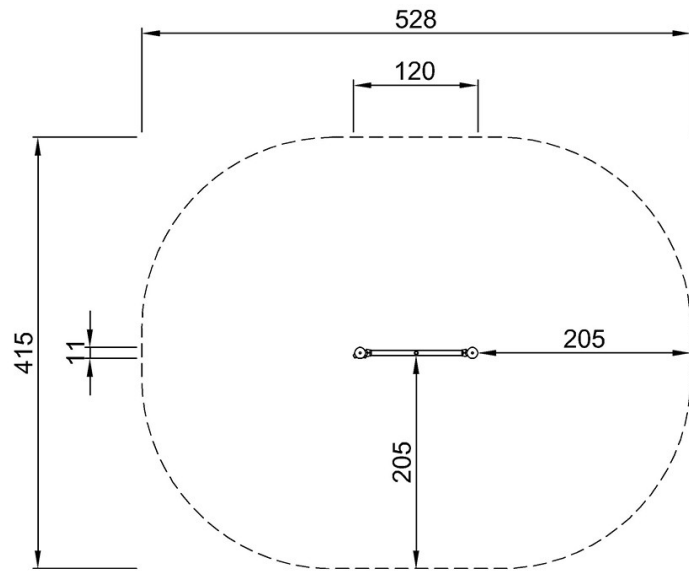


Multi net

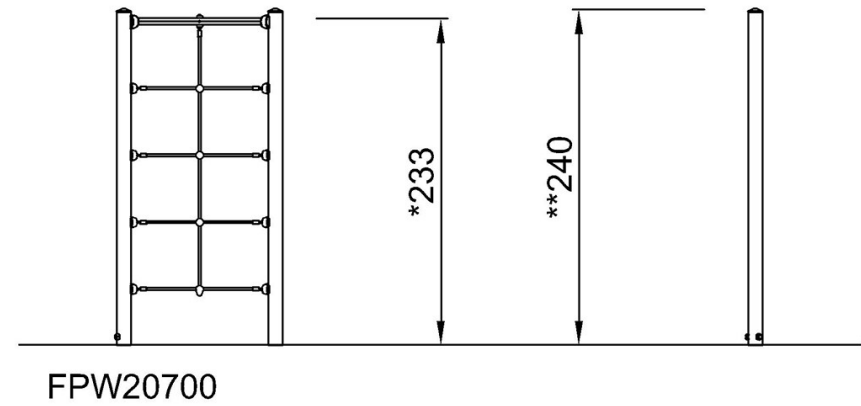
FPW207

* Max fall height | ** Total height | *** Safety surfacing area

* Max fall height | ** Total height



FPW20700
*233cm
**240cm
***19.1m²



[Click to see TOP VIEW](#)

[Click to see SIDE VIEW](#)