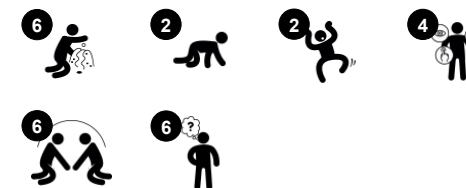


# Billy Goat Gruff

M620



Item no. M62080-3418P	
<b>General Product Information</b>	
Dimensions LxWxH	53x123x97 cm
Age group	6m+
Play capacity (users)	2
Color options	



Wow! So much play in such a small space! Gleeful physical, social, and creative play is encouraged in all aspects. For toddlers, the inclination of the bridge is steep, they will hold the sides for support. This steepness train their senses of balance and space. The spatial awareness is supported by the ability to climb under and over the bridge. This supports the

understanding and incorporation of spatial relations such as over, under, higher than and lower than. These are fundamental for the understanding of e.g. mathematics later in life. The fine tactile elements respond to the child's movements and thus support the understanding of causal relations. The Billy Goat Gruff story of climbing under and over the

bridge is a strong thematic for toddlers, supporting language development. Playful learning in little space.



# Billy Goat Gruff

M620



## Themed element

**Cognitive:** set a tangible theme and thus spur dramatic play. Dramatic play is a great trainer of language skills.



## Play sphere

**Social-Emotional:** can be played from both sides, encouraging cooperation. **Cognitive:** cause and effect understanding. **Creative:** leave a mark and place the spheres at different positions.



## Crawl-through hole

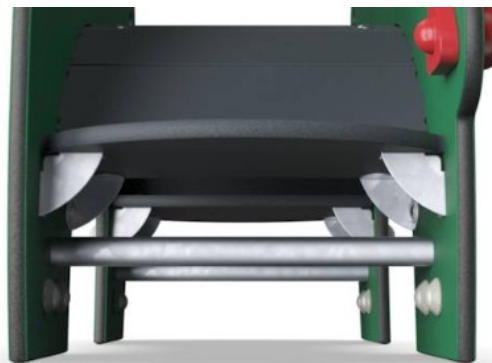
**Physical:** the hole allows for climbing and crawling through, developing cross coordination, proprioception and spatial awareness. **Social-Emotional:** cooperation and turn-taking when passing one another. **Cognitive:** understanding space, shape and measures when seeing if the body can fit through the hole.

# Billy Goat Gruff

M620



Panels of 19mm EcoCore™. EcoCore™ is a highly durable, eco friendly material, which is not only recyclable after use, but also consists of material produced from +95% recycled post consumer material from food packing waste.



The steel surfaces are hot dip galvanised inside and outside with lead free zinc. The galvanisation has excellent corrosion resistance in outside environments and requires low maintenance.



Steps are made of HPL with a thickness of 17,8mm with a very high wearing strength and a unique KOMPAN nonskid surface texture.



Play spheres are made of PP. PP has good wearing and impact resistance.

Item no. M62080-3418P	
<b>Installation Information</b>	
Max. fall height	44 cm
Safety surfacing area	12.5 m <sup>2</sup>
Total installation time	3.6
Excavation volume	0.14 m <sup>3</sup>
Concrete volume	0.00 m <sup>3</sup>
Footing depth (standard)	60 cm
Shipment weight	68 kg
Anchoring options	In-ground ✓ Surface ✓
<b>Warranty Information</b>	
EcoCore HDPE	Lifetime
HPL decks	15 years
Movable parts	2 years
Spare parts guaranteed	10 years



# Sustainability Data

M620



Cradle to Gate A1-A3	Total CO <sub>2</sub> emission	CO <sub>2</sub> e/kg	Recycled materials
	kg CO <sub>2</sub> e	kg CO <sub>2</sub> e/kg	%
<b>M62080-3418P</b>	102.04	1.65	56.52

The overall framework applied for these factors is the Environmental Product Declaration (EPD), which quantifies "environmental information on the life cycle of a product and enable comparisons between products fulfilling the same function" (ISO, 2006). This follows the structure and applies a Life-Cycle Assessment approach to the entire Product stage from raw material through manufacturing (A1-A3))

**Kompan A/S**  
C.F. Tietgens Boulevard 32C  
DK-5220 Odense SØ  
Denmark



## Verification of CO<sub>2</sub> calculation of: Themed play systems



Data version no. 2023-10-05

The CO<sub>2</sub> calculation and data are in compliance with the principles of a carbon footprint impact according to the GHG protocol (Greenhouse Gas Protocol), Scope 3, cradle to gate related to all individual components in the product category: "Themed play systems" represented by item no.: MSC641100-3717P.

(Scope 3 emissions include emission sources in the upstream and downstream value chain).

**Date: 30. October 2023 | Valid until: 30. October 2025**

**Verified by:**

Julie Marie Vejsgaard Larsen, LCA & EPD Consultant

Verification based on report: Validation of CO<sub>2</sub> calculation of 9 categories of Kompan product line, version 1.0, prepared by: Bureau Veritas HSE, Denmark: Julie M. V. Larsen.

**Publication date: 30. October 2023**

**By Bureau Veritas HSE**  
www.bureauveritas.dk  
+45 7731 1000

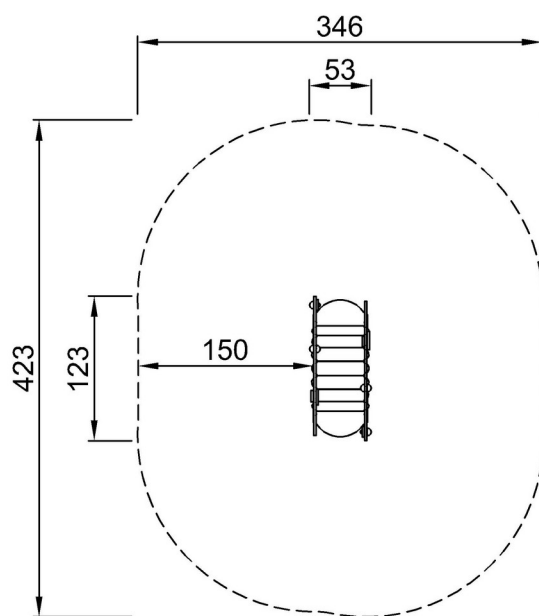


# Billy Goat Gruff

M620

\* Max fall height | \*\* Total height | \*\*\* Safety surfacing area

\* Max fall height | \*\* Total height



M62080P  
\*44cm  
\*\*97cm  
\*\*\*12.5m<sup>2</sup>



[Click to see TOP VIEW](#)

[Click to see SIDE VIEW](#)