

Starsurfer

GXY935



Item no. GXY935012-01

General Product Information

Dimensions LxWxH	2'8"x5'6"x1'10"
Age group	5 - 12
Play capacity (users)	2
Color options	 



The Starsurfer is an awesome play event for exploring and developing balance and coordination skills. It will attract tweens for play again and again, thanks to its many play functions. The sense of balance is fundamental to all other motor skills. It is the foundation of managing the world physically. Due to their growth spurts, tweens need extra training for

the sense of balance, and the Starsurfer is play and training in one. The rocking platform holds individuals or groups rocking together. They can catapult each other in big jumps to the ground. This is great for bone density, which is built up for life during youth. The Starsurfer is also a multi-functional seat, inviting seated, lying or standing children. This makes it an

efficient and fun trainer of cooperation, negotiation and turn-taking. These social skills are hard to teach, but they come easy in play on the Starsurfer.

Starsurfer

GXY935



Rocking together

Social-Emotional: the possibility of rocking together develops cooperation skills and consideration of others when rocking.



Movable desk

Physical: facilitates standing, sitting and lying, which supports people with disabilities. Trains balance and sense of space when children are standing, using leg and core muscles. **Social-Emotional:** point for gathering. Supports teamwork and socializing when children are rocking together. Inclusive.

Starsurfer

GXY935



The steel surfaces of GALAXY are hot dip galvanized inside and outside with lead free zinc. The galvanization has excellent corrosion resistance in outside environments and requires low maintenance.

Starsurfer is made of medium density PE with excellent impact strength and usable within a large temperature span. Hollow plastic components are made of 100% recyclable PE made from 33% post-consumer materials. Molded in one piece with minimum 5mm wall thickness. The textured surface provides a slip resistant surface for safe play.

The rocking movement over two axis is made by heavy duty scaled ROSTA torsion spring element. The two ROSTA elements works without any noise and are maintenance-free.

Item no. GXY935012-01	
Installation Information	
Max. fall height	2'4"
Safety surfacing area	264ft ²
Total installation time	3.2
Excavation volume	0.65yd ³
Concrete volume	0yd ³
Footing depth (standard)	1'6"
Shipment weight	144lbs
Anchoring options	In-ground ✓ Surface ✓
Warranty Information	
Hollow PE Parts	10 Years
Hot dip galvanized steel	Lifetime
Spare Parts Availability	10 Years

Elevated activities 0	Accessible elevated activities	Accessible ground level activities	Accessible ground level play types
Present	0	1	1
Required	0	1	1



Sustainability Data

GXY935



Cradle to Gate A1-A3	Total CO ₂ emission	CO ₂ e/kg	Recycled materials
	kg CO ₂ e	kg CO ₂ e/kg	%
GXY935012-01	200.71	3.03	31.81

The overall framework applied for these factors is the Environmental Product Declaration (EPD), which quantifies "environmental information on the life cycle of a product and enable comparisons between products fulfilling the same function" (ISO, 2006). This follows the structure and applies a Life-Cycle Assessment approach to the entire Product stage from raw material through manufacturing (A1-A3))

Kompan A/S
C.F. Tietgens Boulevard 32C
DK-5220 Odense SØ
Denmark



Verification of CO₂ calculation of: Freestanding play equipment



Data version no. 2023-10-05

The CO₂ calculation and data are in compliance with the principles of a carbon footprint impact according to the GHG protocol (Greenhouse Gas Protocol), Scope 3, cradle to gate related to all individual components in the product category: "Freestanding play equipment" represented by item no.: GXY916012-3417.

(Scope 3 emissions include emission sources in the upstream and downstream value chain).

Date: 30. October 2023 | Valid until: 30. October 2025

Verified by:

Julie Marie Vejsgaard Larsen, LCA & EPD Consultant

Verification based on report: Validation of CO₂ calculation of 9 categories of Kompan product line, version 1.0, prepared by: Bureau Veritas HSE, Denmark: Julie M. V. Larsen.

Publication date: 30. October 2023

By Bureau Veritas HSE
www.bureauveritas.dk
+45 7731 1000

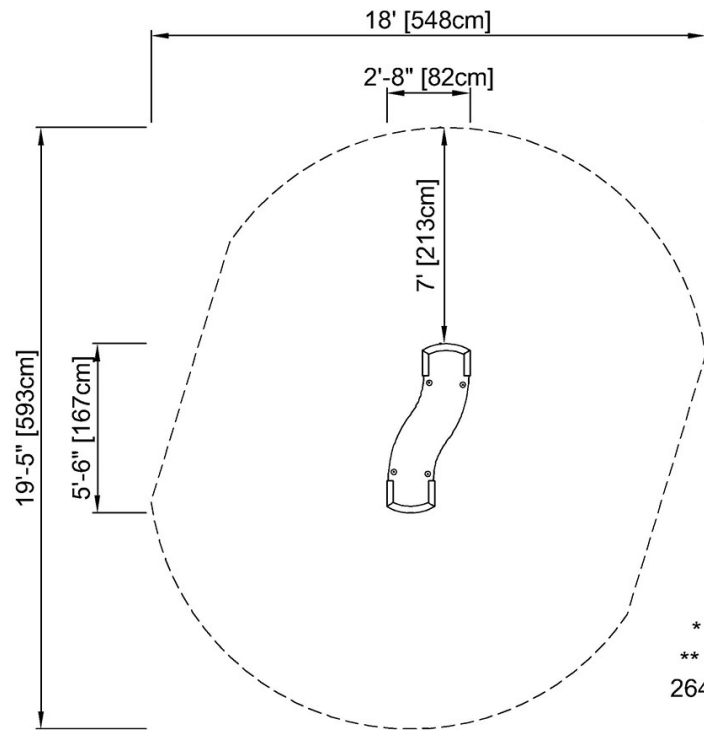


Starsurfer

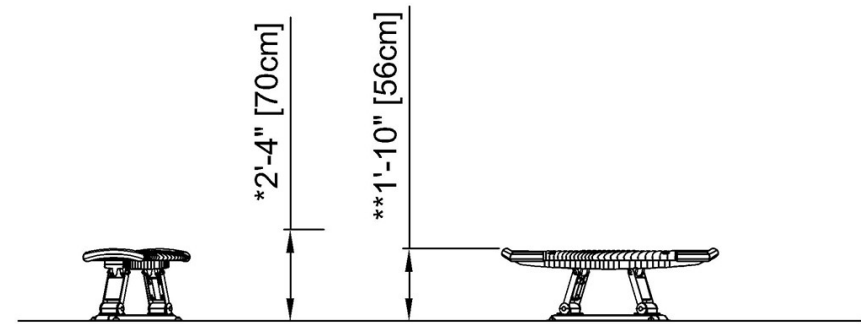
GXY935

* Max fall height | ** Total height | *** Safety surfacing area

* Max fall height | ** Total height



GXY935012
* 2'-3" / 70 cm
** 1'-10" / 56 cm
264.1 ft² / 24.5 m²



GXY935012

[Click to see TOP VIEW](#)

[Click to see SIDE VIEW](#)