
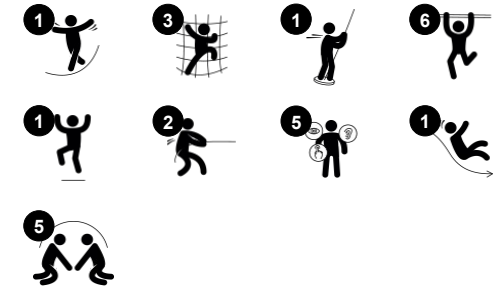


# The Monkey Tower

NRO1014



Item no. NRO1014-1021	
General Product Information	
Dimensions LxWxH	544x270x415 cm
Age group	6+
Play capacity (users)	9
Color options	



The Monkey Tower is play inspiration for children. Thanks to the variation of play challenges they will come back to play again and again. The inclined climbing net is a supportive access to the elevated house. The vertical climbing wall is the more challenging choice. They both train the cross-coordination, stimulating the cross-modal perception, which

is fundamental for reading skills. From the platform children can choose from the thrilling banister bars or the overhead bars. The banister bars train the child's sense of space and the proprioception. These are necessary in judging distances correctly and navigating the world securely. Across the unit, children can interact and cooperate, adding to their social-

emotional development when turn-taking, negotiating and making friends.

# The Monkey Tower

NRO1014



All Organic Robinia products by KOMPAN are made of Robinia wood from sustainable European sources. On request it can be supplied as FSC® Certified (FSC® C004450).



The paint used for coloured components is water based environmentally friendly with excellent UV resistance. The paint is in compliance with EN 71 Part 3.



The hardware is made of stainless steel or galvanised steel to ensure durable connections with a high corrosion resistance.

Item no. NRO1014-1021

### Installation Information

Max. fall height	250 cm
Safety surfacing area	38.3 m <sup>2</sup>
Total installation time	18.7
Excavation volume	1.53 m <sup>3</sup>
Concrete volume	0.17 m <sup>3</sup>
Footing depth (standard)	100 cm
Shipment weight	1,029 kg
Anchoring options	In-ground ✓



Ropes of UV-stabilized PES rope strands with inner steel cable reinforcement. The polyester yarn is made from +95% post-consumer materials and is inductively melted onto each strand.



Overhead climbing handles are made of high quality stainless steel. The handles are attached to the upper robinia crossbeam by stainless steel hardware.



The Robinia products are designed with a KOMPAN colour concept with a number of different standard colours. The wood can also be supplied as untreated or with brown painted with a pigment that maintains the wood colour.



# Sustainability Data

NRO1014



Cradle to Gate A1-A3	Total CO <sub>2</sub> emission	CO <sub>2</sub> e/kg	Recycled materials
	kg CO <sub>2</sub> e	kg CO <sub>2</sub> e/kg	%
<b>NRO1014-1021</b>	303.80	0.37	3.40

The overall framework applied for these factors is the Environmental Product Declaration (EPD), which quantifies "environmental information on the life cycle of a product and enable comparisons between products fulfilling the same function" (ISO, 2006). This follows the structure and applies a Life-Cycle Assessment approach to the entire Product stage from raw material through manufacturing (A1-A3))

**Kompan A/S**  
C.F. Tietgens Boulevard 32C  
DK-5220 Odense SØ  
Denmark



## Verification of CO<sub>2</sub> calculation of: Nature play



Data version no. 2023-10-05

The CO<sub>2</sub> calculation and data are in compliance with the principles of a carbon footprint impact according to the GHG protocol (Greenhouse Gas Protocol), Scope 3, cradle to gate related to all individual components in the product category: "Nature play" represented by item no.: NRO409-0621.

(Scope 3 emissions include emission sources in the upstream and downstream value chain).

**Date: 30. October 2023 | Valid until: 30. October 2025**

Verified by:

Julie Marie Vejsgaard Larsen, LCA & EPD Consultant

Verification based on report: Validation of CO<sub>2</sub> calculation of 9 categories of Kompan product line, version 1.0, prepared by: Bureau Veritas HSE, Denmark: Julie M. V. Larsen.

**Publication date: 30. October 2023**

By Bureau Veritas HSE  
www.bureauveritas.dk  
+45 7731 1000

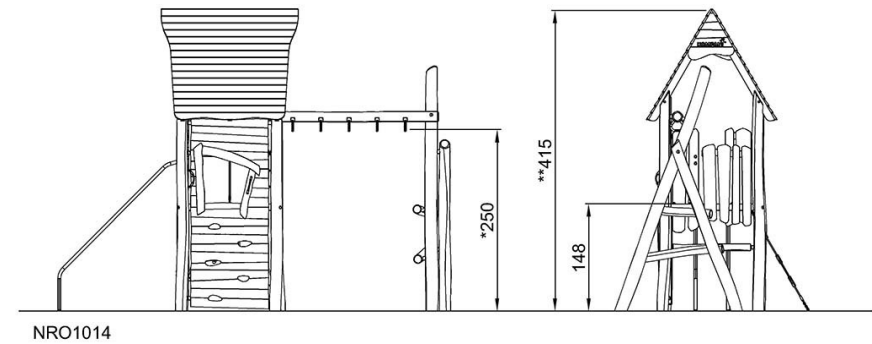
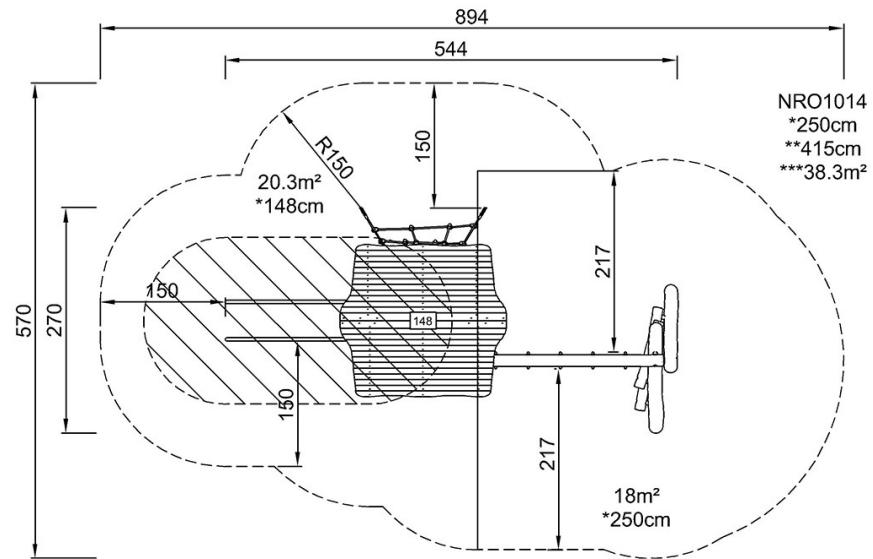


# The Monkey Tower

NRO1014

\* Max fall height | \*\* Total height | \*\*\* Safety surfacing area

\* Max fall height | \*\* Total height



[Click to see TOP VIEW](#)

[Click to see SIDE VIEW](#)