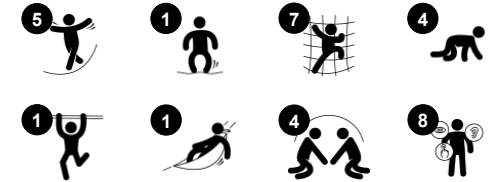


Moss Hill

CRP200201



Item no. CRP200201-0903	
General Product Information	
Dimensions LxWxH	549x394x297 cm
Age group	2+
Play capacity (users)	17
Colour options	



The cute play panels, the play shell climber and the spacious inclined nets of the Moss Hill invite for hours of toddler play, again and again. The many details of the panels and the curvy spaciousness of the play shell climber invite social play and cooperation. Climbing over and under the play shells and not least the spacious spider net incorporates an

understanding of space, shape and measures in toddlers. This understanding is basic in understanding mathematics. Climbing and crawling the bouncy net and rope train cross-coordination skills and spatial awareness, which are crucial in navigating the world confidently and securely. The many opportunities to play together in smaller and

bigger groups make the Moss Hill a fine play piece to help children negotiate and show consideration of others, which are important social-emotional skills that are instrumental in building friendships.



Moss Hill

CRP200201



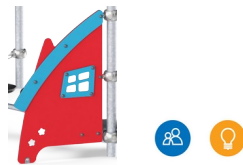
Play shell climber stack

Physical: balancing on the play shells and walking from one to another across the tubes trains cross-coordination and the sense of balance, which benefits body and posture control. **Social-Emotional:** meeting and communicating in smaller or larger groups, a possible place to retract from demanding physical play.



Shop play panel

Physical: the hole allows for climbing and crawling through, developing cross-coordination, proprioception and spatial awareness. **Social-Emotional:** cooperation and turn-taking. Sharing and cooperation from both sides create a social scenario that supports communication and cooperation. **Cognitive:** understanding space, shape and measures when seeing if the body fits through the hole.



House play panel

Social-Emotional: invites interaction and social play. **Cognitive:** the house theme invites dramatic play scenarios, stimulating language and communication.



Forest spider net

Physical: cross-coordination, balance and spatial awareness are trained when climbing the net. All major muscles are used when crossing the net and using the middle rope as a swaying support. **Social-Emotional:** the big meshes allow for more children to be seated together, sharing. Children cooperate and turn-take when passing each other. **Cognitive:** 'Cause and effect' understanding is supported by the bouncing effect of the movement of others.

Moss Hill

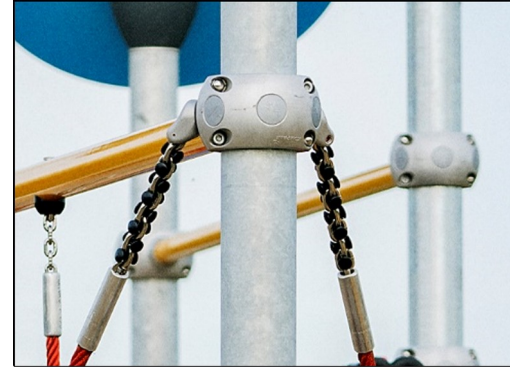
CRP200201



Ropes of UV-stabilized PES rope strands with inner steel cable reinforcement. The polyester yarn is made from +95% post-consumer materials and is inductively melted onto each strand.



Designed to allow the typical function of rope play structures to move Corocord 'S' clamps are used as universal connections in Corocord products. 8mm stainless steel rods with rounded edges are pressed around the ropes with a special hydraulic press, making them the ideal connector. Our clamps are safe, durable and vandalism-proof.



Corocord smart clamps are carefully designed in every detail to ensure superior flexibility in high quality aluminum material. The smart clamps are attached around the posts with four steel bolts. Not used attachment points are closed with PA caps.



The steel surfaces are hot-dip galvanized inside and outside with lead-free zinc. The galvanisation has excellent corrosion resistance in outside environments and requires low maintenance.



Panels of 19mm EcoCore™. EcoCore™ is a highly durable, eco friendly material, which is not only recyclable after use, but also consists of material produced from +95% recycled post consumer material from food packing waste.



The large components are made of 100% recyclable PE made from 33% post consumer materials. Molded in one piece with minimum 5mm wall thickness to ensure high durability in all climates around the world.

Item no. CRP200201-0903

Installation Information

Max. fall height	74 cm
Safety surfacing area	45.2 m ²
Total installation time	13.4
Excavation volume	2.12 m ³
Concrete volume	0.71 m ³
Footing depth (standard)	90 cm
Shipment weight	449 kg
Anchoring options	In-ground ✓ Surface ✓

Warranty Information

Corocord (Hercules) Rope	10 years
EcoCore HDPE	Lifetime
Hollow PE parts	10 years
Galvanised Steel	Lifetime
Spare Parts Guarantee	10 years

AS
4685
compliant

Sustainability Data

CRP200201



Cradle to Gate A1-A3	Total CO ₂ emission	CO ₂ e/kg	Recycled materials
	kg CO ₂ e	kg CO ₂ e/kg	%
CRP200201-0903	936.12	2.91	52.88

The overall framework applied for these factors is the Environmental Product Declaration (EPD), which quantifies "environmental information on the life cycle of a product and enable comparisons between products fulfilling the same function" (ISO, 2006). This follows the structure and applies a Life-Cycle Assessment approach to the entire Product stage from raw material through manufacturing (A1-A3))

Kompan A/S
C.F. Tietgens Boulevard 32C
DK-5220 Odense SØ
Denmark



Verification of CO₂ calculation of: Corocord



Data version no. 2023-10-05

The CO₂ calculation and data are in compliance with the principles of a carbon footprint impact according to the GHG protocol (Greenhouse Gas Protocol), Scope 3, cradle to gate related to all individual components in the product category: "Corocord" represented by item no.: COR314011-1101.

(Scope 3 emissions include emission sources in the upstream and downstream value chain).

Date: 30. October 2023 | Valid until: 30. October 2025

Verified by:

Julie Marie Vejsgaard Larsen, LCA & EPD Consultant

Verification based on report: Validation of CO₂ calculation of 9 categories of Kompan product line, version 1.0, prepared by: Bureau Veritas HSE, Denmark: Julie M. V. Larsen.

Publication date: 30. October 2023

By Bureau Veritas HSE
www.bureauveritas.dk
+45 7731 1000

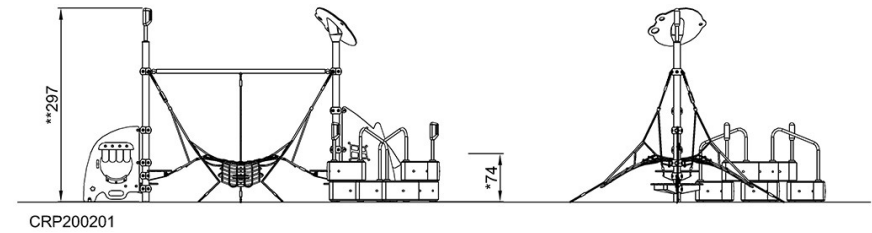
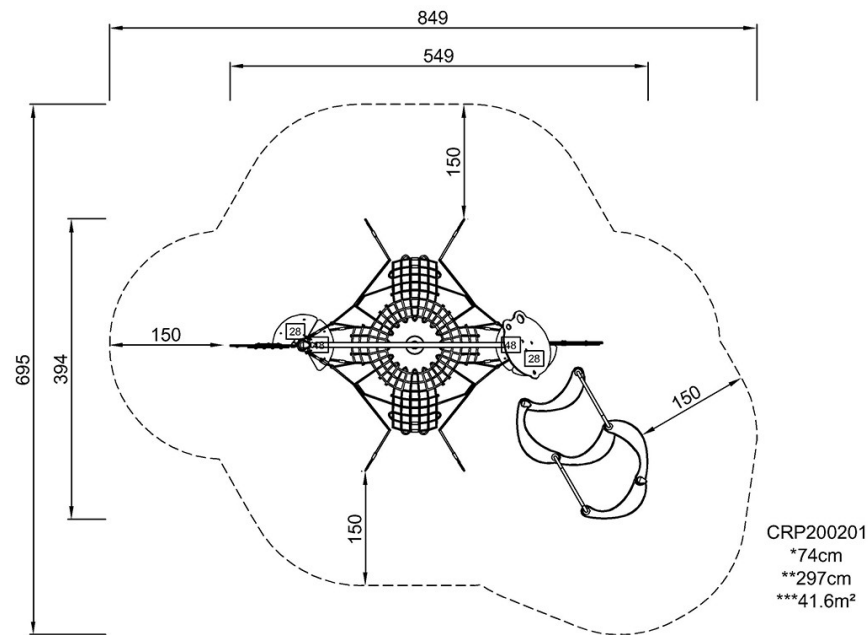


Moss Hill

CRP200201

* Max fall height | ** Total height | *** Safety surfacing area

* Max fall height | ** Total height



[Click to see TOP VIEW](#)

[Click to see SIDE VIEW](#)