

Double Overhead Ladder Robinia

FRO213



The overhead ladder, also known as the monkey bar, may be the most well-known of all obstacle course elements. The goal is to get to the other side without using your feet. Training upper body strength and cross-body coordination. This overhead ladder is wide and high to ensure anyone can hang and move freely. To make sure that everyone can reach

the overhead ladder there are 4 stepping pods at different heights. As a stand-alone item, the Double Overhead Ladder is great to work in the group workout. It offers space for 8 people to perform pull-up exercises or to attach suspension trainers for a full-body workout. The Robinia bars are made from de-barked and sap-free Robinia trunks in various

dimensions. Robinia is a native European wood species with high strength and natural durability in various climatic conditions. KOMPAN uses wood from FSC-certified sources.

Item no. FRO21300-1001

General Product Information

| | |
|-----------------------|----------------|
| Dimensions LxWxH | 451x126x261 cm |
| Age group | 13+ |
| Play capacity (users) | 4 |
| Colour options | |



See KOMPAN Fit app for more



Double Overhead Ladder Robinia

FRO213



All Organic Robinia products by KOMPAN are made of Robinia wood from sustainable European sources. On request it can be supplied as FSC® Certified (FSC® C004450).



The Robinia wood can be supplied as untreated raw wood or painted with a brown coloured transparent pigment that maintains the golden wood colour of the wood.



All KOMPAN fitness products are compliant with the ASTM F3101 & EN16630 Outdoor Fitness Standards. Load tests are performed as a static test by adding dynamic factors as well as safety factors to the specified load of 78kg per user. A product intended for 1 user is loaded with 420kg.

| Item no. FRO21300-1001 | |
|--------------------------|--------------------------|
| Installation Information | |
| Max. fall height | 133 cm |
| Safety surfacing area | 28.3 m ² |
| Total installation time | 7.8 |
| Excavation volume | 1.18 m ³ |
| Concrete volume | 0.35 m ³ |
| Footing depth (standard) | 100 cm |
| Shipment weight | 547 kg |
| Anchoring options | In-ground ✓ Surface ✓ |
| Warranty Information | |
| Hot dip galvanised steel | Lifetime |
| Robinia wood | 15 years |
| Spare parts guaranteed | 10 years |



Sustainability Data

FRO213



| Cradle to Gate A1-A3 | Total CO ₂ emission | CO ₂ e/kg | Recycled materials |
|----------------------|--------------------------------|-------------------------|--------------------|
| | kg CO ₂ e | kg CO ₂ e/kg | % |
| FRO21300-1001 | 195.79 | 0.48 | 7.45 |

The overall framework applied for these factors is the Environmental Product Declaration (EPD), which quantifies "environmental information on the life cycle of a product and enable comparisons between products fulfilling the same function" (ISO, 2006). This follows the structure and applies a Life-Cycle Assessment approach to the entire Product stage from raw material through manufacturing (A1-A3))

Kompan A/S
 C.F. Tietgens Boulevard 32C
 DK-5220 Odense SØ
 Denmark



Verification of CO₂ calculation of: Fitness



Data version no. 2023-10-05

The CO₂ calculation and data are in compliance with the principles of a carbon footprint impact according to the GHG protocol (Greenhouse Gas Protocol), Scope 3, cradle to gate related to all individual components in the product category: "Fitness" represented by item no.: FAZ10100-0900.

(Scope 3 emissions include emission sources in the upstream and downstream value chain).

Date: 30. October 2023 | Valid until: 30. October 2025

Verified by:

Julie Marie Vejsgaard Larsen, LCA & EPD Consultant

Verification based on report: Validation of CO₂ calculation of 9 categories of Kompan product line, version 1.0, prepared by: Bureau Veritas HSE, Denmark: Julie M. V. Larsen.

Publication date: 30. October 2023

By Bureau Veritas HSE
 www.bureauveritas.dk
 +45 7731 1000

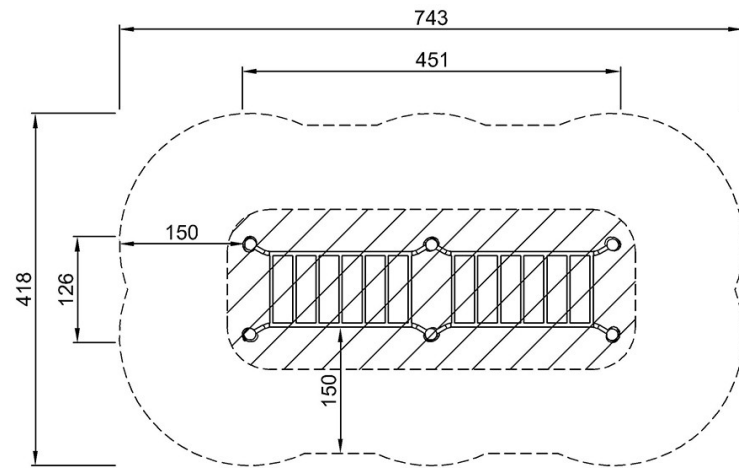


Double Overhead Ladder Robinia

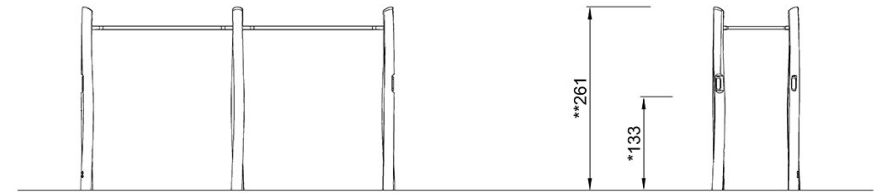
FRO213

* Max fall height | ** Total height | *** Safety surfacing area

* Max fall height | ** Total height



FRO21300
*133cm
**261cm
***28.3m²



FRO21300

[Click to see TOP VIEW](#)

[Click to see SIDE VIEW](#)