

Cross Training Pro Combi 2

FAZ20301

KOMPAN
Let's play



Item no. FAZ20301-0900

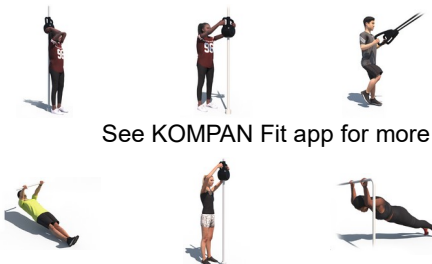
General Product Information

Dimensions LxWxH 1050x106x334 cm

Age group 13+

Play capacity (users) 9

Colour options 



The Parallel Bars are suitable for beginners who want to learn how to do dips. They can start with leaning push-ups against the bar, and can later move on to actual dips, which can initially be made easier by resting the feet on the additional bars. An innovative magnetic breaking system in the Magnetic Bells allow the user to increase the resistance by increasing

the speed of movement. The patented system also functions as a brake when someone drops the magnetic bells and will reduce the impact significantly. The Magnetic bells move freely up and down and can spin 360 degrees. This allows the users to do exercises which are very similar to Medicine Ball and Kettle Bell exercises.

Cross Training Pro Combi 2

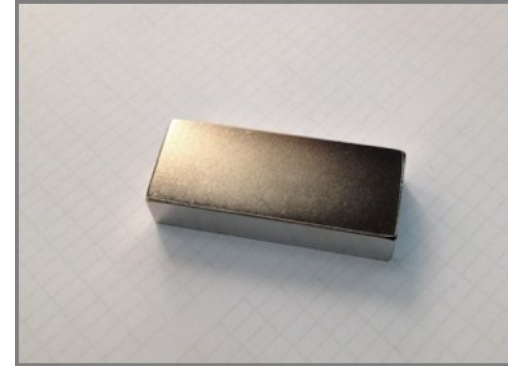
FAZ20301



The uniquely designed handles are made of PUR and a reinforced aluminium frame that ensures a strong but light design. The ergonomically shaped handles guarantee a good and pleasant grip for all users.



The big instruction signs are made of a 8mm polycarbonate sheets with clear instructions printed directly on the panels. The polycarbonate is extremely strong and provides a vandalism proof construction.



The magnets which are used are High Strength Neodymium magnets. The magnetic radiation is under strict control, the radiation level never exceeds 5 Gauss (0.5mT), which makes them perfectly safe to use as an training item.

Item no. FAZ20301-0900

Installation Information

Max. fall height	124 cm
Safety surfacing area	41.1 m ²
Total installation time	13.6
Excavation volume	1.63 m ³
Concrete volume	0.83 m ³
Footing depth (standard)	90 cm
Shipment weight	878 kg
Anchoring options	In-ground ✓ Surface ✓

Warranty Information

Coated steel parts	10 years
PUR components	10 years
Ropes & nets	10 years
Signs	10 years
Spare parts guaranteed	10 years



The tubes on which the magnetic bells move are ø40mm, made of grade AW 6082-T6 aluminium and have an anodized layer of 20µm. The tube has a full steel core for structural integrity.



The product offers two sets of parallel bars ø48.3 x 4mm, three different heights (104, 114 and 124cm) and four lower side bars ø33.7 x 3mm. Combined these 6 bars offer a wide variety of training options.



Each suspension trainer has 3 sets of handles positioned at 3 different heights, 40, 90 and 130cm. This allows people of all lengths to do the exercises and gives the user the opportunity to do over 40 different exercises.

**ASTM
F3101**
compliant

Sustainability Data

FAZ20301



Cradle to Gate A1-A3	Total CO ₂ emission	CO ₂ e/kg	Recycled materials
	kg CO ₂ e	kg CO ₂ e/kg	%
FAZ20301-0900	2,193.00	3.16	44.28

The overall framework applied for these factors is the Environmental Product Declaration (EPD), which quantifies "environmental information on the life cycle of a product and enable comparisons between products fulfilling the same function" (ISO, 2006). This follows the structure and applies a Life-Cycle Assessment approach to the entire Product stage from raw material through manufacturing (A1-A3))

Kompan A/S
 C.F. Tietgens Boulevard 32C
 DK-5220 Odense SØ
 Denmark



Verification of CO₂ calculation of: Fitness



Data version no. 2023-10-05

The CO₂ calculation and data are in compliance with the principles of a carbon footprint impact according to the GHG protocol (Greenhouse Gas Protocol), Scope 3, cradle to gate related to all individual components in the product category: "Fitness" represented by item no.: FAZ10100-0900.

(Scope 3 emissions include emission sources in the upstream and downstream value chain).

Date: 30. October 2023 | Valid until: 30. October 2025

Verified by:

Julie Marie Vejsgaard Larsen, LCA & EPD Consultant

Verification based on report: Validation of CO₂ calculation of 9 categories of Kompan product line, version 1.0, prepared by: Bureau Veritas HSE, Denmark: Julie M. V. Larsen.

Publication date: 30. October 2023

By Bureau Veritas HSE
 www.bureauveritas.dk
 +45 7731 1000

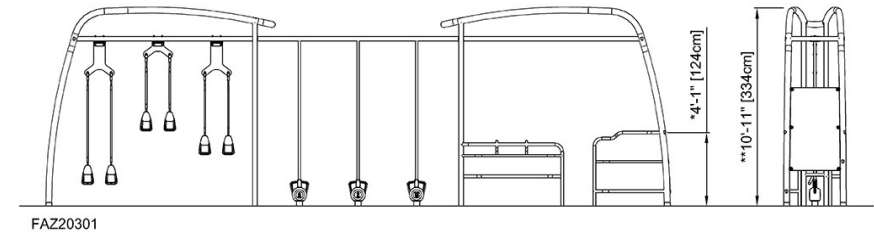
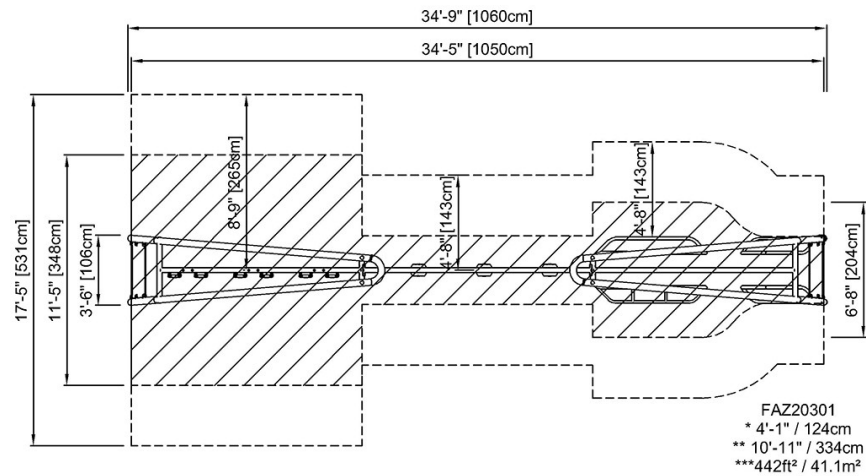


Cross Training Pro Combi 2

FAZ20301

* Max fall height | ** Total height | *** Safety surfacing area

* Max fall height | ** Total height



[Click to see TOP VIEW](#)

[Click to see SIDE VIEW](#)