

# Surprise Basket

FRE3024



Item no. FRE3024-3717

## General Product Information

|                       |   |
|-----------------------|---|
| Dimensions LxWxH      | 102x102x305 cm  |
| Age group             | 3+  |
| Play capacity (users) | -   |
| Colour options        |  |



Ball games are unpredictable. Kids like that a lot. You never know if you going to win or lose. The elevated funnel with three tube exits for the basket ball is a popular ball game activity that works well with both few or many participants. Further it trains the ability to lift and throw a ball up into the funnel.

# Surprise Basket

FRE3024



The steel surfaces are hot dip galvanised inside and outside with lead free zinc. The galvanisation has excellent corrosion resistance in outside environments and requires low maintenance.

|                                 |                     |
|---------------------------------|---------------------|
| Item no. FRE3024-3717           |                     |
| <b>Installation Information</b> |                     |
| Max. fall height                | 0 cm                |
| Safety surfacing area           | 0.0 m <sup>2</sup>  |
| Total installation time         | 1.0                 |
| Excavation volume               | 0.23 m <sup>3</sup> |
| Concrete volume                 | 0.13 m <sup>3</sup> |
| Footing depth (standard)        | 91 cm               |
| Shipment weight                 | 59 kg               |
| Anchoring options               | In-ground ✓         |
| <b>Warranty Information</b>     |                     |
| HDG post                        | Lifetime            |
| Solid plastic parts             | 10 years            |
| Spare parts guaranteed          | 10 years            |

# Sustainability Data

FRE3024



| Cradle to Gate A1-A3 | Total CO <sub>2</sub> emission | CO <sub>2</sub> e/kg    | Recycled materials |
|----------------------|--------------------------------|-------------------------|--------------------|
|                      | kg CO <sub>2</sub> e           | kg CO <sub>2</sub> e/kg | %                  |
| <b>FRE3024-3717</b>  | 129.90                         | 2.29                    | 28.61              |

The overall framework applied for these factors is the Environmental Product Declaration (EPD), which quantifies "environmental information on the life cycle of a product and enable comparisons between products fulfilling the same function" (ISO, 2006). This follows the structure and applies a Life-Cycle Assessment approach to the entire Product stage from raw material through manufacturing (A1-A3))

**Kompan A/S**  
 C.F. Tietgens Boulevard 32C  
 DK-5220 Odense SØ  
 Denmark



## Verification of CO<sub>2</sub> calculation of: Sport



Data version no. 2023-10-05

The CO<sub>2</sub> calculation and data are in compliance with the principles of a carbon footprint impact according to the GHG protocol (Greenhouse Gas Protocol), Scope 3, cradle to gate related to all individual components in the product category: "Sport" represented by item no.: FRE600202-0901.

(Scope 3 emissions include emission sources in the upstream and downstream value chain).

**Date: 30. October 2023 | Valid until: 30. October 2025**

Verified by:

Julie Marie Vejsgaard Larsen, LCA & EPD Consultant

Verification based on report: Validation of CO<sub>2</sub> calculation of 9 categories of Kompan product line, version 1.0, prepared by: Bureau Veritas HSE, Denmark: Julie M. V. Larsen.

**Publication date: 30. October 2023**

By Bureau Veritas HSE  
 www.bureauveritas.dk  
 +45 7731 1000

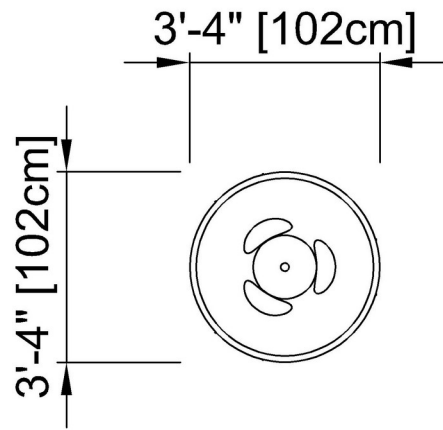


# Surprise Basket

FRE3024

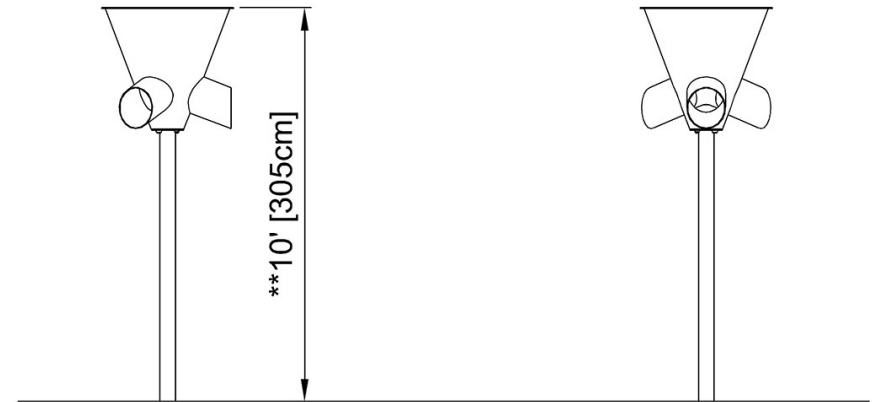
\* Max fall height | \*\* Total height | \*\*\* Safety surfacing area

\* Max fall height | \*\* Total height



FRE3024

\*\* 10'-0" / 305cm



FRE3024

[Click to see TOP VIEW](#)

[Click to see SIDE VIEW](#)