

Cocowave Rope Swing

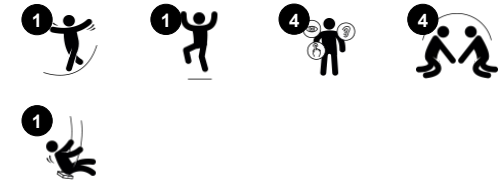
NRO915



Item no. NRO915-1001

General Product Information

Dimensions LxWxH	563x328x388 cm
Age group	6+
Play capacity (users)	8
Colour options	



Wow! The Cocowave is an irresistible invitation for all children to play. With its robust 'coconut rope', the Robinia Cocowave Pendulum Swing allows swinging from a seated, standing, or even lying down position. Jump on or jump off quickly, swing in any direction, and make friends instantly. The pendulum swing caters for users of different size, age and physical

ability. It develops teamwork, balance and coordination. The Robinia timber also provides an organic structure, that the children can touch and feel, observing how natural materials interact with the built environment



Cocowave Rope Swing

NRO915



Chains

Physical: space between chains supports a comfortable grip for use of muscle strength when standing up swinging.



Connectors in the side of the rope

Physical: allow for foot position between connectors resulting in ease of use when standing up swinging. Develops muscle strength. **Social-Emotional:** room for different body positions like standing, sitting and lying.



Cocowave swing

Physical: supports muscle strength, sense of balance and space. Bone density is built up when children swing and jump on-off. **Social-Emotional:** height and speed of swinging supports self-esteem. When listening and negotiating, children develop their empathy and cooperation skills. **Cognitive:** height and speed of swinging helps children to judge distances and heights.



Coconut rope

Physical: balance and coordination is supported when walking the swaying rope. A good sense of balance transfers to other skills such as sitting still on a chair. **Social-Emotional:** children swaying together on the rope experience their own and others' movements. This spurs cooperation and consideration, e.g. when passing others on the rope.

Cocowave Rope Swing

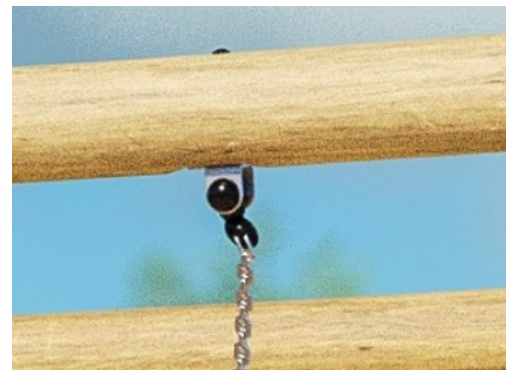
NRO915



All organic Robinia products by KOMPAN are made of Robinia wood which is sourced from sustainable plantation farms. On request it can be supplied as FSC® Certified (FSC® C004450).



The paint used for coloured components is water-based, which is environmentally friendly and has excellent UV resistance. The paint is compliant with Australian Standards.



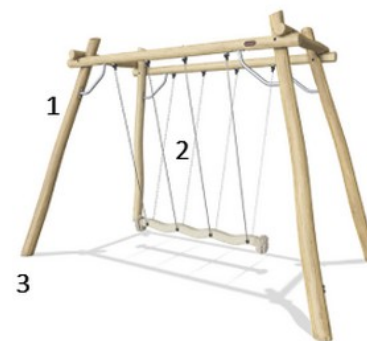
The uniquely designed swing hangers are manufactured from stainless steel and anti-twist function. The hangers are attached to the cross beam by a bolt through connection to ensure high durability.



The rope of the pendulum swing is made of polypropylene (PP) rope in Coconut style with a square shape of 14x14cm. The ends of the Coconut rope are closed by steel clamps and sealed by a glued-on shrinkable tubing. The last 10cm of the rope ends are cut open to make a tassel with bumper function to fulfil global safety requirements.



The chain/ropes are attached to the Coconut rope by KOMPAN's swivel bushings which are made of stainless steel with bronze bearings. The swivels have an outer cover which is manufactured from black PUR. The usage of side mounted swivels provides frictionless movement, eliminates fingers and feet entrapments and enlarges the standing surface on top of the rope.



The Cocowave pendulum swing is available in multiple options; untreated Robinia wood, brown pigmented or green coloured version, rope or stainless steel chain suspensions, wood in-ground or steel footings.

Item no. NRO915-1001	
Installation Information	
Max. fall height	197 cm
Safety surfacing area	19.7 m ²
Total installation time	14.4
Excavation volume	2.80 m ³
Concrete volume	1.68 m ³
Footing depth (standard)	100 cm
Shipment weight	778 kg
Anchoring options	In-ground ✓
Warranty Information	
Chains	10 years
Movable Parts	2 years
Robinia Wood	15 years
Ropes & Nets	10 years
Spare Parts Guarantee	10 years



Sustainability Data

NRO915



Cradle to Gate A1-A3	Total CO ₂ emission	CO ₂ e/kg	Recycled materials
	kg CO ₂ e	kg CO ₂ e/kg	%
NRO915-1001	535.98	0.85	6.53

The overall framework applied for these factors is the Environmental Product Declaration (EPD), which quantifies "environmental information on the life cycle of a product and enable comparisons between products fulfilling the same function" (ISO, 2006). This follows the structure and applies a Life-Cycle Assessment approach to the entire Product stage from raw material through manufacturing (A1-A3))

Kompan A/S
C.F. Tietgens Boulevard 32C
DK-5220 Odense SØ
Denmark



Verification of CO₂ calculation of: Nature play



Data version no. 2023-10-05

The CO₂ calculation and data are in compliance with the principles of a carbon footprint impact according to the GHG protocol (Greenhouse Gas Protocol), Scope 3, cradle to gate related to all individual components in the product category: "Nature play" represented by item no.: NRO409-0621.

(Scope 3 emissions include emission sources in the upstream and downstream value chain).

Date: 30. October 2023 | Valid until: 30. October 2025

Verified by:

Julie Marie Vejsgaard Larsen, LCA & EPD Consultant

Verification based on report: Validation of CO₂ calculation of 9 categories of Kompan product line, version 1.0, prepared by: Bureau Veritas HSE, Denmark: Julie M. V. Larsen.

Publication date: 30. October 2023

By Bureau Veritas HSE
www.bureauveritas.dk
+45 7731 1000

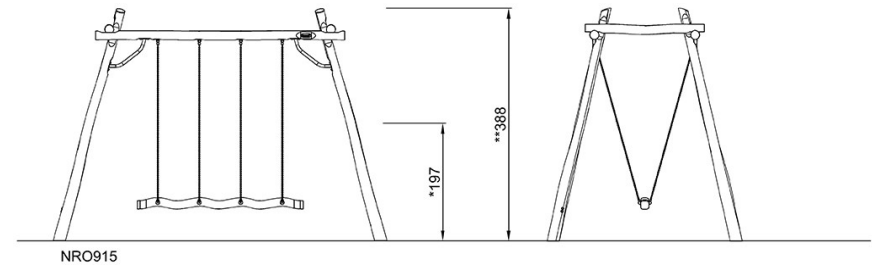
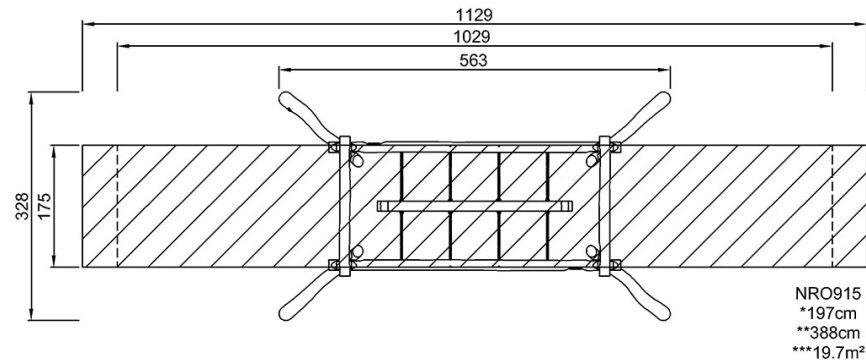


Cocowave Rope Swing

NRO915

* Max fall height | ** Total height | *** Safety surfacing area

* Max fall height | ** Total height



[Click to see TOP VIEW](#)

[Click to see SIDE VIEW](#)