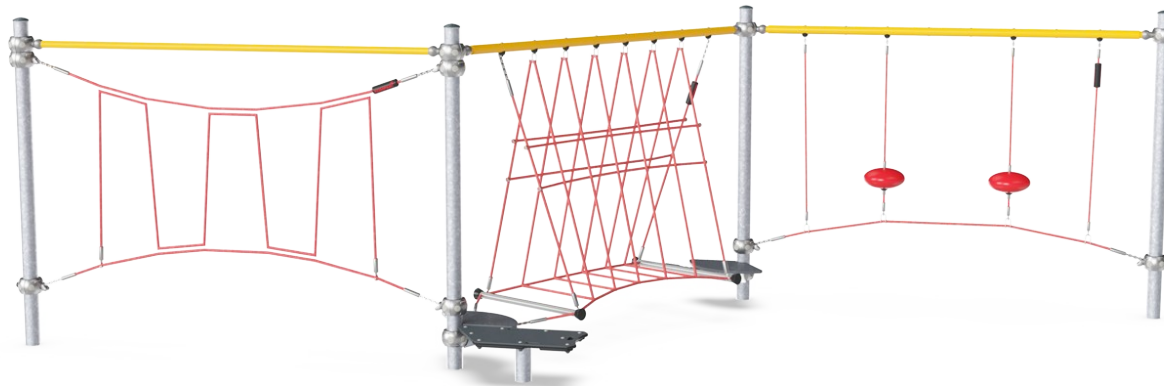


# Pathfinder Trail

CRP200302

Item no. CRP200302-0901	
General Product Information	
Dimensions LxWxH	19'9"x17'3"x7'1"
Age group	2 - 5
Play capacity (users)	11
Color options	<span style="color: red;">●</span> <span style="color: green;">●</span> <span style="color: blue;">●</span>



The Pathfinder Trail wows playful minds with its fun, swaying trail. Children will return again and again to traverse the trail faster, smoother, or with more friends. The swaying Hangout Pods are great to balance over or sit on. The Pathfinder Trail's slalom-style, bouncy crossed ropes make for a thrilling crossing. The bouncy Climbing Rope offers a criss-cross pattern trail

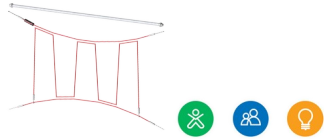
inviting groups of friends to sit and sway.

The activities all support the build-up of agility, balance and coordination skills, and spatial awareness. These motor skills are fundamental for the child's body confidence and ability to navigate the surroundings confidently. They are the basis for understanding space, shapes, and

measures, which are necessary in mathematics. As children traverse the Pathfinder Trail, they need to cooperate and negotiate with friends to pass them. This is great training in social skills, the most important skill for happiness.

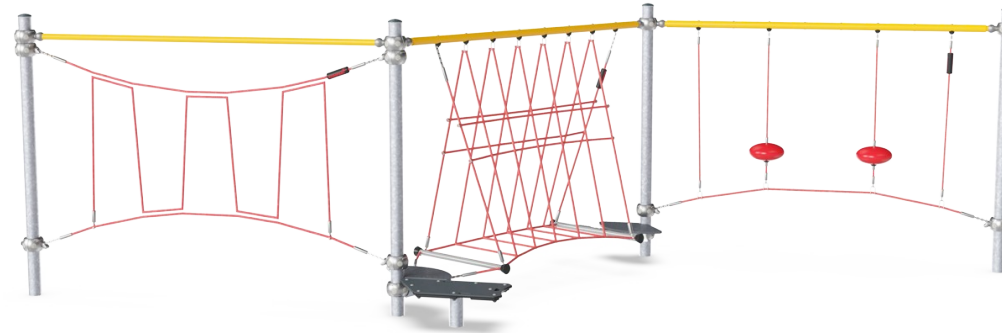
# Pathfinder Trail

CRP200302



## Tightrope

**Physical:** children train cross-body coordination and muscle strength. The big meshes allow for climbing and crawling through, training proprioception and spatial awareness. **Social-Emotional:** Turn-taking, consideration and cooperation when passing other children. The big meshes allow for more children to be seated together, sharing. **Cognitive:** cause and effect understanding is supported by the bouncing effect of others' movements.



## Hangout Pods

**Physical:** the hangout pods invite seated and standing swaying and balancing. This supports children's proprioception, which helps them navigate surroundings confidently. Core and arm muscles are strengthened when holding tight and moving across. **Social-Emotional:** children cooperate, turn-take and consider each other when they balance across. The hangout pods support playful socializing and meetings for groups of children.



## Slalom Net Bridge

**Physical:** all muscles are used to hold tight when crossing the bridge. Balance, coordination and spatial awareness are stimulated, which support the ability to navigate securely in space. **Social-Emotional:** turn-taking and cooperation when passing each other. **Cognitive:** cause and effect understanding is supported by the bouncing effect of others' movements.

# Pathfinder Trail

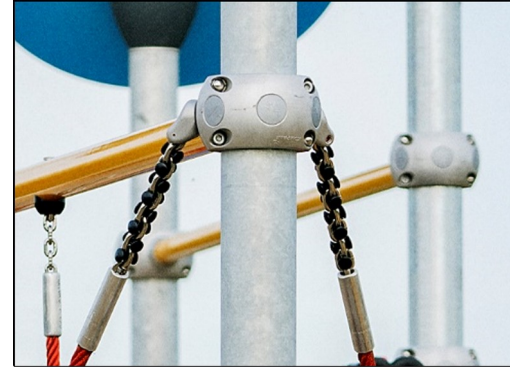
CRP200302



Ropes of UV-stabilized PES rope strands with inner steel cable reinforcement. The polyester yarn is made of +95% Post-consumer materials and is inductively melted onto each strand to obtain excellent wear and tear resistance.



Corocord 'S' clamps are used as universal connections in Corocord products. 8mm stainless steel rods with rounded edges are pressed around the ropes with a special hydraulic press, making them the ideal connector: safe, durable and vandalism-proof, all while allowing the typical movement of rope play structures.



The Corocord Smart Clamps are carefully designed to ensure superior flexibility in high-quality aluminum material. The smart clamps are attached around the post with four steel bolts. Unused attachment points are closed with PA caps.



The steel surfaces are hot-dip galvanized inside and outside with lead-free zinc. The galvanization has excellent corrosion resistance in outside environments and requires minimal maintenance.



The significant components are made of 100% recyclable PE made from 33% post-consumer materials. They are molded in one piece with a minimum 5mm wall thickness to ensure high durability in all climates worldwide.



Grey round post decks are supported by hot-dipped galvanized steel and molded 75% post-consumer PP material with a non-skid pattern and texture surface.

Item no. CRP200302-0901

### Installation Information

Max. fall height	3'4"
Safety surfacing area	525ft <sup>2</sup>
Total installation time	10.6
Excavation volume	7.35yd <sup>3</sup>
Concrete volume	4.45yd <sup>3</sup>
Footing depth (standard)	2'11"
Shipment weight	742lbs
Anchoring options	In-ground ✓ Surface ✓

### Warranty Information

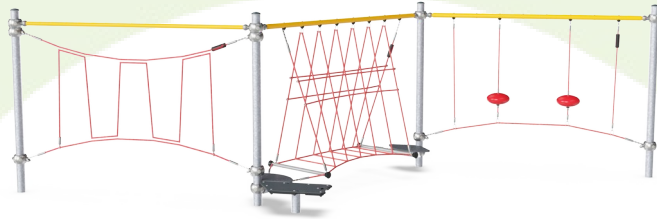
Corocord Rope	10 Years
Hollow PE Parts	10 Years
Hot dip galvanized steel	Lifetime
PP Decks	10 Years
Spare Parts Availability	10 Years

Elevated activities 0	Accessible elevated activities	Accessible ground level activities	Accessible ground level play types
Present	0	3	1
Required	0	0	0

**ASTM  
F1487**  
compliant

# Sustainability Data

CRP200302



Cradle to Gate A1-A3	Total CO <sub>2</sub> emission	CO <sub>2</sub> e/kg	Recycled materials
	kg CO <sub>2</sub> e	kg CO <sub>2</sub> e/kg	%
CRP200302-0901	885.96	3.58	44.29

The overall framework applied for these factors is the Environmental Product Declaration (EPD), which quantifies "environmental information on the life cycle of a product and enable comparisons between products fulfilling the same function" (ISO, 2006). This follows the structure and applies a Life-Cycle Assessment approach to the entire Product stage from raw material through manufacturing (A1-A3))

**Kompan A/S**  
 C.F. Tietgens Boulevard 32C  
 DK-5220 Odense SØ  
 Denmark



## Verification of CO<sub>2</sub> calculation of: Corocord



Data version no. 2023-10-05

The CO<sub>2</sub> calculation and data are in compliance with the principles of a carbon footprint impact according to the GHG protocol (Greenhouse Gas Protocol), Scope 3, cradle to gate related to all individual components in the product category: "Corocord" represented by item no.: COR314011-1101.

(Scope 3 emissions include emission sources in the upstream and downstream value chain).

**Date: 30. October 2023 | Valid until: 30. October 2025**

Verified by:

Julie Marie Vejsgaard Larsen, LCA & EPD Consultant

Verification based on report: Validation of CO<sub>2</sub> calculation of 9 categories of Kompan product line, version 1.0, prepared by: Bureau Veritas HSE, Denmark: Julie M. V. Larsen.

**Publication date: 30. October 2023**

By Bureau Veritas HSE  
 www.bureauveritas.dk  
 +45 7731 1000

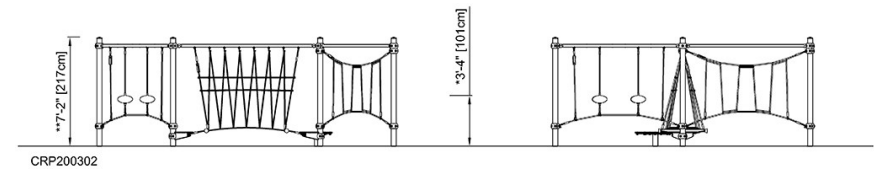
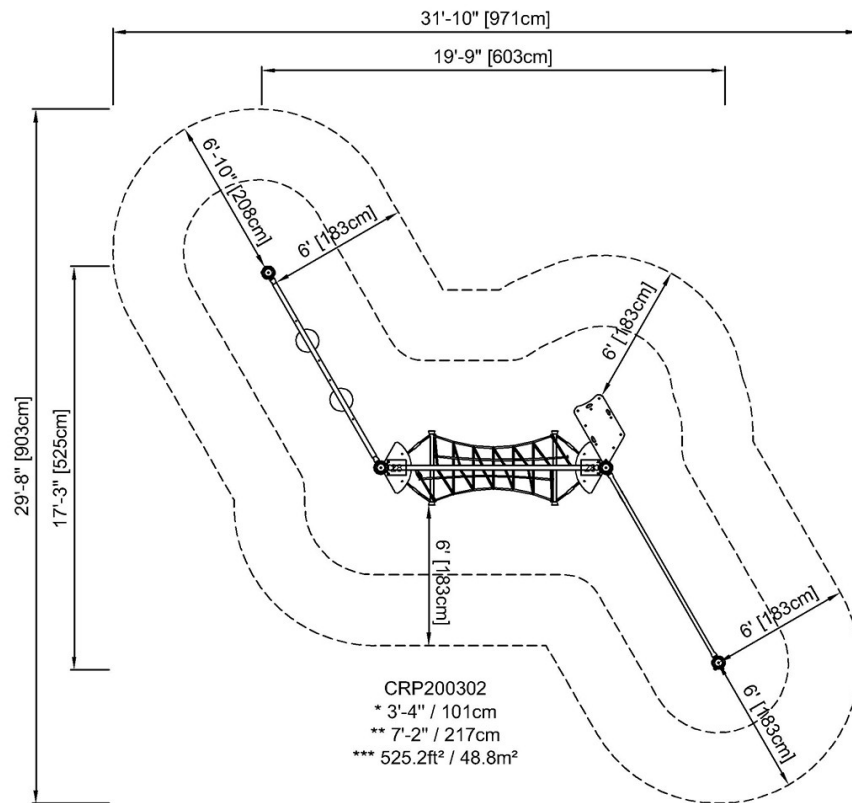


# Pathfinder Trail

CRP200302

\* Max fall height | \*\* Total height | \*\*\* Safety surfacing area

\* Max fall height | \*\* Total height



[Click to see TOP VIEW](#)

[Click to see SIDE VIEW](#)