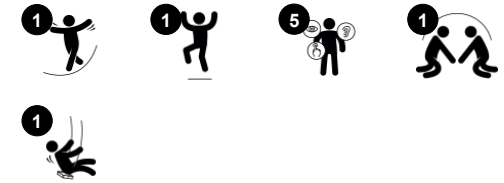


Little Spider Swing, 100cm Rope Seat

M952



Item no. M95201-1001	
General Product Information	
Dimensions LxWxH	277x106x147 cm
Age group	2+
Play capacity (users)	6
Color options	



The Little Spider Swing will attract children again and again. It offers a lot of play in a little space. Swinging the bird's nest seat develops children's sense of balance and coordination, which are fundamental for all other motor skills. There is also a cognitive aspect to this type of play, as toddlers develop the concept of cause and effect related to their bodies and objects.

The nest seat can fit multiple users, making it a social experience where children can play together and cooperate. The seat caters for all abilities and most ages allowing it to be a shared experience. Pushing each other and taking turns teaches children important social-emotional skills. It can also be used individually for a more relaxing swing. It is possible to lie,

sit and stand on the seat, which all support the development of arm, leg, and core muscles as well as building bone density when jumping off.



Little Spider Swing, 100cm Rope Seat

M952



Bird nest swing

Physical: develops balance, coordination and spatial awareness. The swinging movement trains the arm, leg and core muscles, and strengthens bone density when jumping off.

Social-Emotional: the spacious seat allows for many children standing, lying, seated together and is inclusive for all. **Cognitive:** cause and effect understanding, rhythm and thinking skills are developed in younger children.



Little Spider Swing, 100cm Rope Seat

M952



The steel surfaces are hot dip galvanised inside and outside with lead free zinc. The galvanisation has excellent corrosion resistance in outside environments and requires low maintenance.



KOMPAN designed the bird's nest seats to be light in weight and in compliance with global safety standards. The soft, shock absorbent bumpers with non-slip surface makes the swing seat extremely user friendly. Choose between a rope version with reinforced PA rope or a moulded PE version. Both equipped with soft rubber bumpers.



The swing hangers are made of stainless steel brackets and can move over two axis. The flange bearings are silicone enriched to make the suspension maintenance free. The connection to the rope is made with stainless steel chain.



Main posts with hot dip galvanised steel footing are available in different materials: Pressure impregnated pine wood posts. Pre-galvanised inside and outside with powder coated top finish steel posts. Lead free aluminium with colour anodised top finish.



The swing seats seats can be customized to your preference and personalized with a variety of Kompan colors for both the Shell and Rope versions.

Item no. M95201-1001

Installation Information

Max. fall height	85 cm
Safety surfacing area	11.3 m ²
Total installation time	2.0
Excavation volume	0.54 m ³
Concrete volume	0.54 m ³
Footing depth (standard)	100 cm
Shipment weight	92 kg
Anchoring options	In-ground ✓

Warranty Information

Corocord rope	10 years
Hot dip galvanised steel	Lifetime
Spare parts guaranteed	10 years
Swing hangers	5 years
Swing seat	10 years



Sustainability Data

M952



Cradle to Gate A1-A3	Total CO ₂ emission	CO ₂ e/kg	Recycled materials
	kg CO ₂ e	kg CO ₂ e/kg	%
M95201-1001	267.78	3.79	38.48

The overall framework applied for these factors is the Environmental Product Declaration (EPD), which quantifies "environmental information on the life cycle of a product and enable comparisons between products fulfilling the same function" (ISO, 2006). This follows the structure and applies a Life-Cycle Assessment approach to the entire Product stage from raw material through manufacturing (A1-A3))

Kompan A/S
 C.F. Tietgens Boulevard 32C
 DK-5220 Odense SØ
 Denmark



Verification of CO₂ calculation of: Themed play systems



Data version no. 2023-10-05

The CO₂ calculation and data are in compliance with the principles of a carbon footprint impact according to the GHG protocol (Greenhouse Gas Protocol), Scope 3, cradle to gate related to all individual components in the product category: "Themed play systems" represented by item no.: MSC641100-3717P.

(Scope 3 emissions include emission sources in the upstream and downstream value chain).

Date: 30. October 2023 | Valid until: 30. October 2025

Verified by:

Julie Marie Vejsgaard Larsen, LCA & EPD Consultant

Verification based on report: Validation of CO₂ calculation of 9 categories of Kompan product line, version 1.0, prepared by: Bureau Veritas HSE, Denmark: Julie M. V. Larsen.

Publication date: 30. October 2023

By Bureau Veritas HSE
 www.bureauveritas.dk
 +45 7731 1000

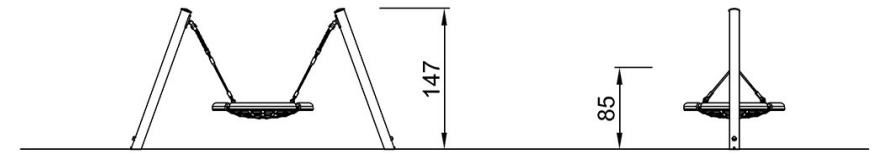
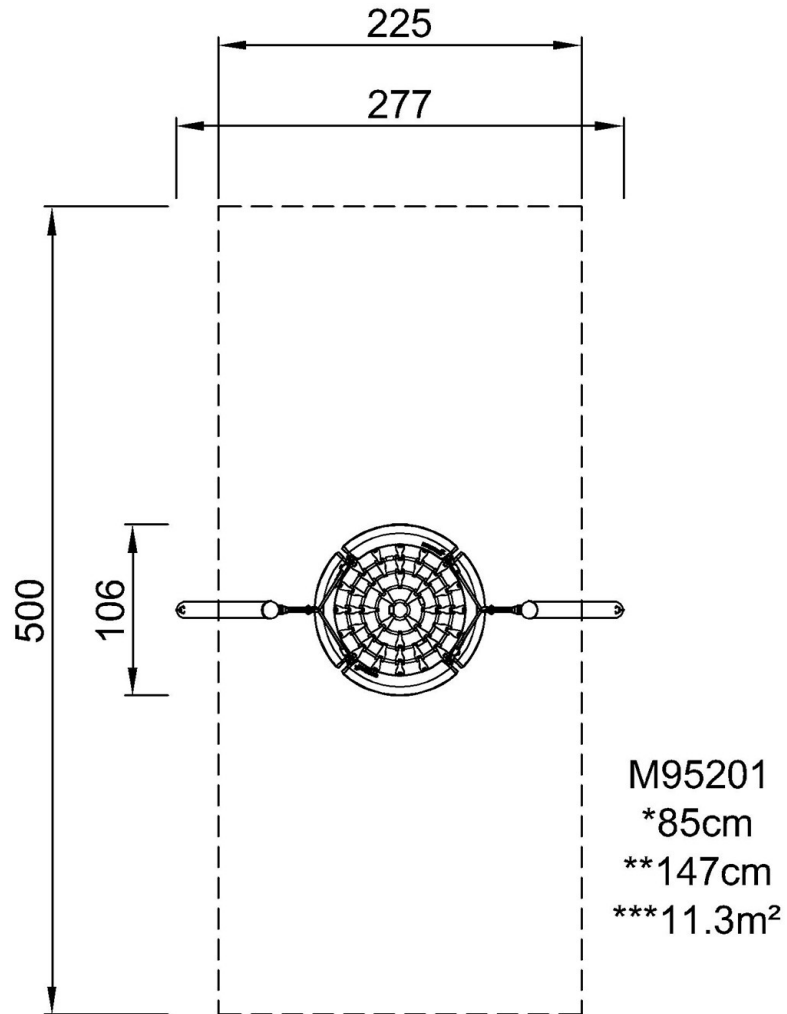


Little Spider Swing, 100cm Rope Seat

M952

* Max fall height | ** Total height | *** Safety surfacing area

* Max fall height | ** Total height



M95201

[Click to see TOP VIEW](#)

[Click to see SIDE VIEW](#)