

# Tower with Fireman's Pole

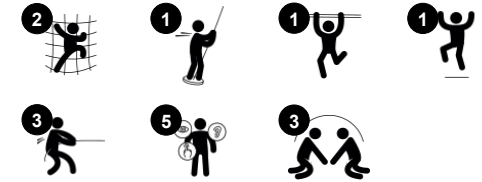
NRO1005



Item no. NRO1005-1001

## General Product Information

Dimensions LxWxH	223x169x359 cm
Age group	4+
Play capacity (users)	6
Colour options	 



The Tower with Fireman's Pole is a modern take on the classic Fireman's Pole play item. The net climb entry is a fun and challenging way to get to the pole, and the structure is made of natural Robinia timber, which provides an organic structure that can either blend into or stand out from your surrounds. Children can touch and feel the timber while playing,

observing how nature inspiration interacts with the built environment.

# Tower with Fireman's Pole

NRO1005



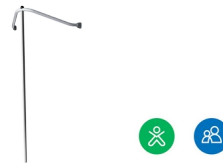
## Climbing net

**Physical:** the inclined net supports the upward climbing movement of the body. The net supports cross-body coordination, which impacts coordination of the right and left part of brain, fundamental for other skills such as the ability to read. The asymmetry of the net challenges the children's climbing.



## Ladder with rope

**Physical:** cross coordination and eye-hand coordination are supported when children climb the ladder. Leg and core and upper body muscles are used intensely. **Social-Emotional:** learning about turn taking and cooperation.



## Fireman's pole

**Physical:** supports coordination, arm and core muscles. Landing strengthens bone density. **Social-Emotional:** turn-taking and risk-taking.

# Tower with Fireman's Pole

NRO1005



All organic Robinia products by KOMPAN are made of Robinia wood which is sourced from sustainable plantation farms. On request it can be supplied as FSC® Certified (FSC® C004450).



Ropes of UV-stabilized PES rope strands with inner steel cable reinforcement. The polyester yarn is made from +95% post-consumer materials and is inductively melted onto each strand.



Activities are made of high-quality stainless steel which is cleaned by a total pickling process after manufacturing to ensure a smooth and clean gliding surface.



The Robinia wood can be supplied as untreated raw wood, painted with a brown coloured transparent pigment that maintains the golden wood colour or in a coloured version where selected components are painted in different colours.

Item no. NRO1005-1001	
Installation Information	
Max. fall height	150 cm
Safety surfacing area	18.7 m <sup>2</sup>
Total installation time	7.8
Excavation volume	0.94 m <sup>3</sup>
Concrete volume	0.23 m <sup>3</sup>
Footing depth (standard)	100 cm
Shipment weight	348 kg
Anchoring options	In-ground ✓ Surface ✓
Warranty Information	
Robinia Wood	15 years
Ropes & Nets	10 years
Spare Parts Guarantee	10 years
Stainless Steel Components	Lifetime
Stainless Steel Components	Lifetime



# Sustainability Data

NRO1005



Cradle to Gate A1-A3	Total CO <sub>2</sub> emission	CO <sub>2</sub> e/kg	Recycled materials
	kg CO <sub>2</sub> e	kg CO <sub>2</sub> e/kg	%
<b>NRO1005-1001</b>	132.84	0.47	4.60

The overall framework applied for these factors is the Environmental Product Declaration (EPD), which quantifies "environmental information on the life cycle of a product and enable comparisons between products fulfilling the same function" (ISO, 2006). This follows the structure and applies a Life-Cycle Assessment approach to the entire Product stage from raw material through manufacturing (A1-A3))

**Kompan A/S**  
 C.F. Tietgens Boulevard 32C  
 DK-5220 Odense SØ  
 Denmark



## Verification of CO<sub>2</sub> calculation of: Nature play



Data version no. 2023-10-05

The CO<sub>2</sub> calculation and data are in compliance with the principles of a carbon footprint impact according to the GHG protocol (Greenhouse Gas Protocol), Scope 3, cradle to gate related to all individual components in the product category: "Nature play" represented by item no.: NRO409-0621.

(Scope 3 emissions include emission sources in the upstream and downstream value chain).

**Date: 30. October 2023 | Valid until: 30. October 2025**

**Verified by:**

Julie Marie Vejsgaard Larsen, LCA & EPD Consultant

Verification based on report: Validation of CO<sub>2</sub> calculation of 9 categories of Kompan product line, version 1.0, prepared by: Bureau Veritas HSE, Denmark: Julie M. V. Larsen.

**Publication date: 30. October 2023**

**By Bureau Veritas HSE**  
 www.bureauveritas.dk  
 +45 7731 1000

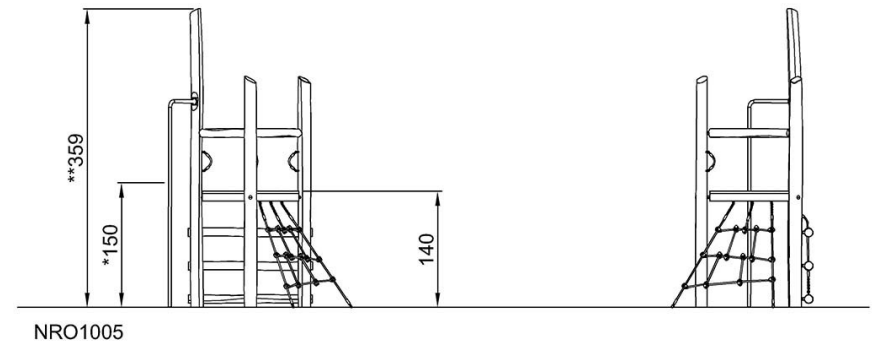
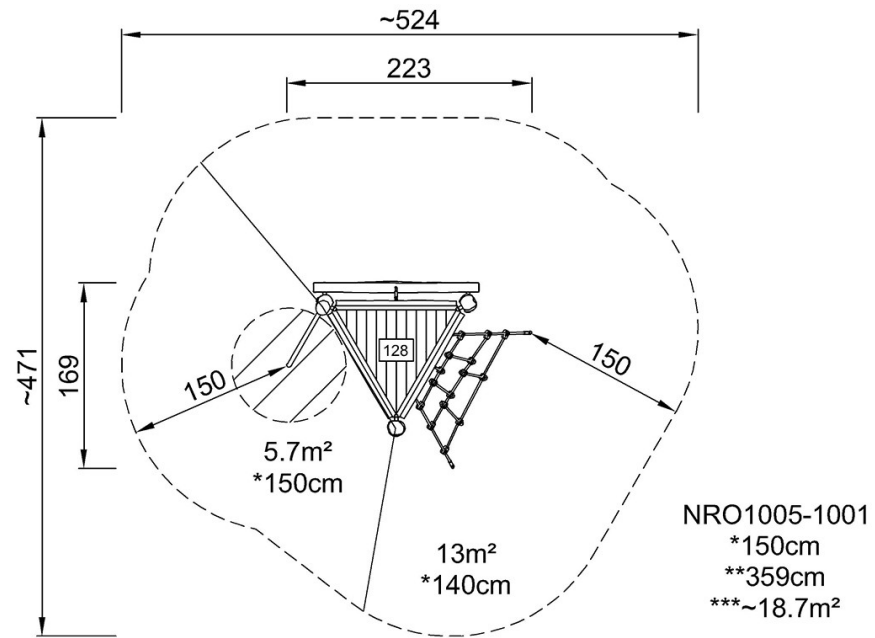


# Tower with Fireman's Pole

NRO1005

\* Max fall height | \*\* Total height | \*\*\* Safety surfacing area

\* Max fall height | \*\* Total height



[Click to see TOP VIEW](#)

[Click to see SIDE VIEW](#)